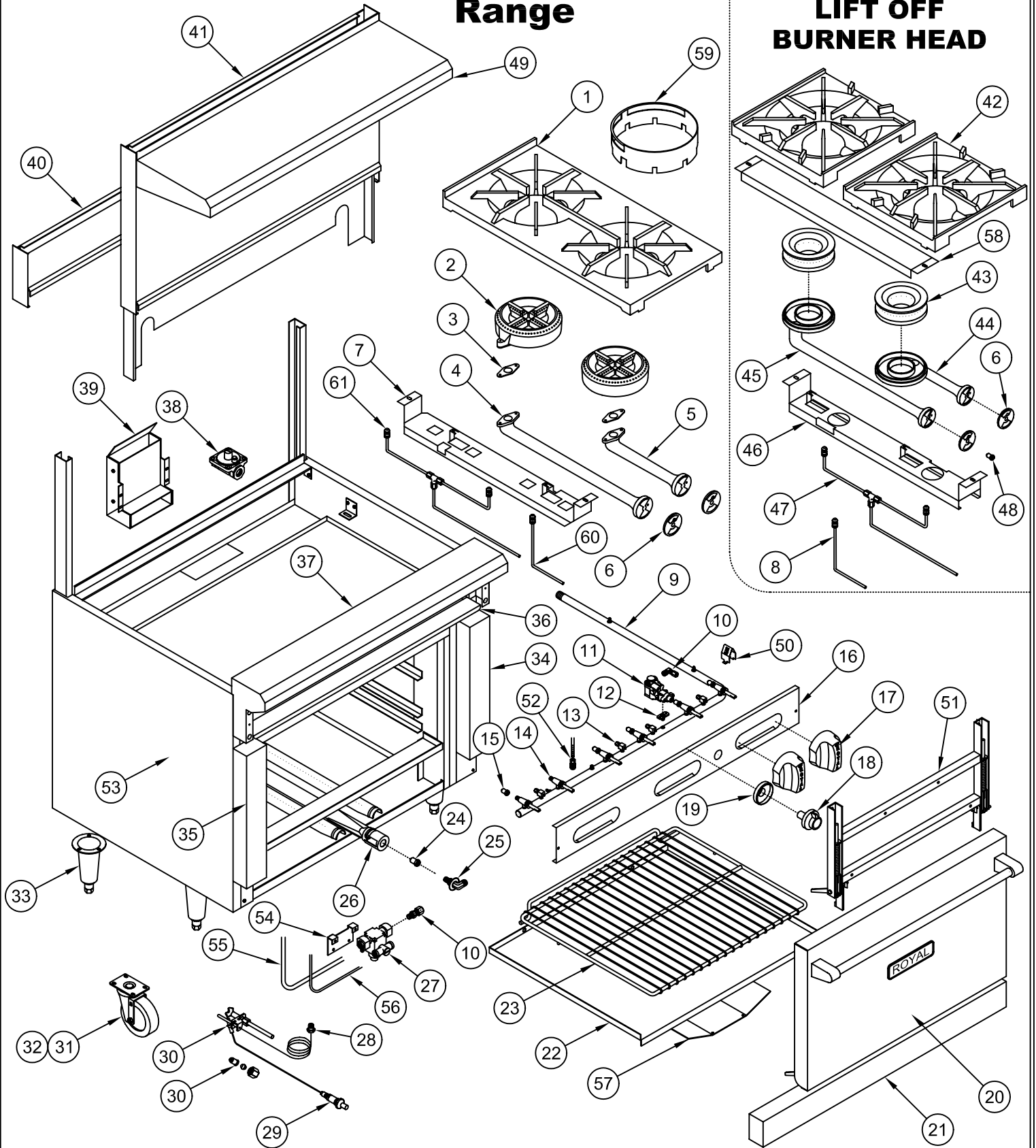


# RR - SERIES Range

## LIFT OFF BURNER HEAD



90° ELBOW FITTING



(10)

B.J. THERMOSTAT



(11)

"T" FLANGE



(12)

90° PILOT VALVE



(13)

GAS VALVE



(14)

ORIFICE HOOD



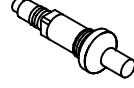
(15) (24) (48)

ORIFICE ELBOW



(25)

IGNITOR (OVEN)



(29)

PILOT (OVEN)



(30)

## **RR – Series Range**

ITEM NO.	PART NO.	DESCRIPTION
1	1101	12" x 24" Top grate (cast iron)
2	1104	Open burner (head only)
3	1105	Open burner gasket & screw set
4	1107	18" Rear venturi (cast iron)
5	1106	6" Front venturi (cast iron)
6	1108	Air shutter (mixer)
7	30077	Burner hanger (open burner)
8	1110	Pilot assembly w/ferrule and compression nut (single burner)
9	3810	24" Manifold pipe
	3811	36" Manifold pipe
	3812	48" Manifold pipe
	3813	60" Manifold pipe
	3814	72" Manifold pipe
10	1509	1/4" NPT x 3/8" CC Straight fitting (brass)
11	2168	B.J. Thermostat (oven only)
	1519	1/4" NPT Plug (used to block outlet on thermostat)
12	1525	B.J. Thermostat flange
13	1625	1/8" NPT x 3/16" CC 90° Adjustable single pilot valve (brass)
14	1628	Gas valve (brass) w/out orifice
15	1121-42	Orifice hood # 42 Open burner natural gas, 26,000 BTU
	1122-53	Orifice hood # 53 Open burner propane gas, 26,000 BTU
16	30130	24" Valve cover
	30151	36" Valve cover
	30172	48" Valve cover
	30193	60" Valve cover
	30214	72" Valve cover
17	3102	Blue knob – flat side down
18	2167	Thermostat dial (black) – Oven only
19	2169	Thermostat bezel (chrome)
20	30132	24" Oven door (complete)
	30159	36" Oven door (complete)
21	30009	24" Kick plate
	30045	36" Kick plate
22	30010	24" Oven bottom
	30041	36" Oven bottom
23	2624	24" Oven rack
	2626	36" Oven rack
24	1121-36	Oven burner # 36 Orifice (brass) natural gas
	1122-50	Oven burner # 50 Orifice (brass) propane gas
25	1507	Orifice elbow 1/4" NPT x 3/8-27 (brass)
26	2610	"U" burner (oven)
27	2174	Oven safety valve with inverted flare nut and ferrule
28	2175	Thermocouple
29	2173	Manual spark igniter w/red push button
30	2209	Oven Pilot – natural gas
	2210	Oven Pilot – propane gas

## **RR Series Range Cont'd**

ITEM NO.	PART NO.	DESCRIPTION
31	2193	Caster 5" w/brake
32	2192	Caster 5" without brake
33	1219	Chrome cone legs
34	30150	Filler panel – right side
35	30149	Filler panel – left side
36	30008	24" Crumb tray
	30039	36" Crumb tray
	30008	48" Crumb tray (Please order 2 ea. of part # 30008)
37	30124	24" Landing Ledge
	30145	36" Landing Ledge
	30166	48" Landing Ledge
	30187	60" Landing Ledge
	30208	72" Landing Ledge
38	1618	Gas pressure regulator (nat. gas)
	1619	Gas pressure regulator (propane Gas)
39	30103	Flue box assembly.
40	30133	24" Stub back assembly
	30141	36" Stub back assembly
	30177	48" Stub back assembly
	30201	60" Stub back assembly
	30215	72" Stub back assembly
41	30136	24" Back guard assembly
	30138	36" Back guard assembly
	30180	48" Back guard assembly
	30182	60" Back guard assembly
	30218	72" Back guard assembly
<b>Lift Off Top Burners</b>		
42	1100	12" x 12" Top grate (cast iron)
43	1710	Open burner – Lift off burner cap
44	1711	6" Front venturi – Lift off burner base (cast iron)
45	1712	18" Rear venturi – Lift off burner base (cast iron)
46	30087	Burner hanger – Lift off burner
47	1709	Pilot assembly w/ferrule and compression nut (double burner)
48	1121-39	Lift off burner # 39 Orifice natural gas (30,000 BTU.)
	1122-52	Lift off burner # 52 Orifice propane gas (30,000 BTU.)

## **RR Series Range Cont'd**

ITEM NO.	PART NO.	DESCRIPTION
49	30131	24" Shelf
	30148	36" Shelf
	30169	48" Shelf
	30190	60" Shelf
	30211	70" Shelf
50	1001	Thermostat bulb clip
51	30013	Door frame assy. (20" oven)
	30043	Door frame assy. (26 1/2" oven)
52	1002	1/8" NPT X 3/16" CC Brass Fitting
53	30094	Left Side Panel
	30095	Right Side Panel
54	30085	Safety valve bracket (PN: 2174)
	30100	Safety valve bracket (PN: 2174-B)
55	1003-**	3/8" Aluminized tubing (**Specify length of tubing)
56	1004-**	3/16" Aluminized tubing (**Specify length of tubing)
57	30036	Oven flame spreader (26 1/2" oven)
	30005	Oven flame spreader (20" oven)
58	30091	Top grate support bracket
59	30402	Wok ring
60	1109	Pilot assembly w/ferrule and compression nut (single burner)
61	2212	Pilot assembly w/ferrule and compression nut (double burner)

### **For all other combinations:**

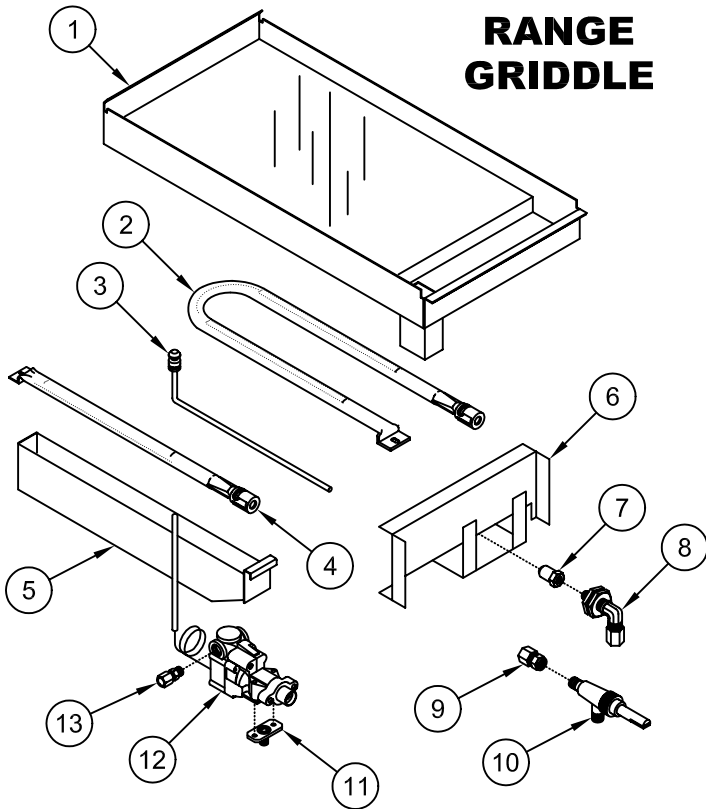
- Griddle
- Raised Griddle
- Radiant Broiler

**See next page.**

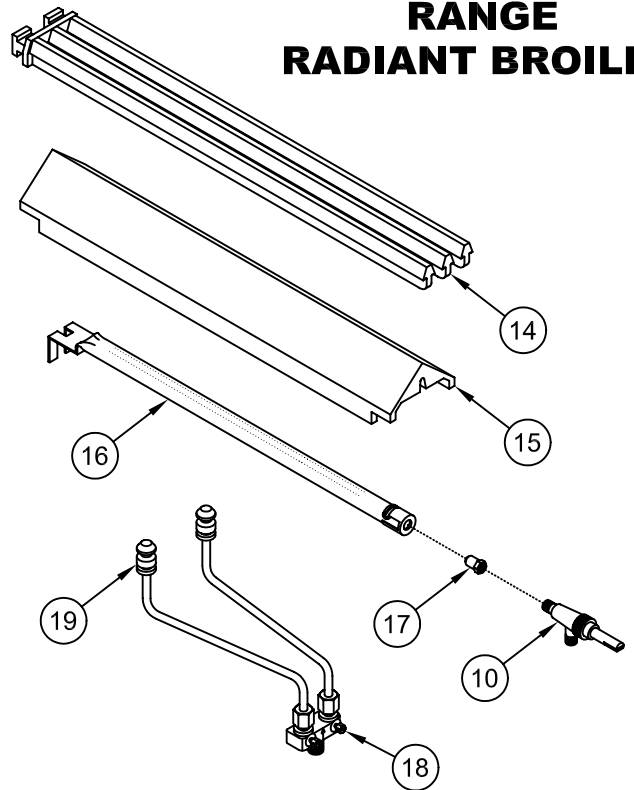
# RR - SERIES (Cont.)

## Range Griddle, Radiant broiler, Raised Griddle

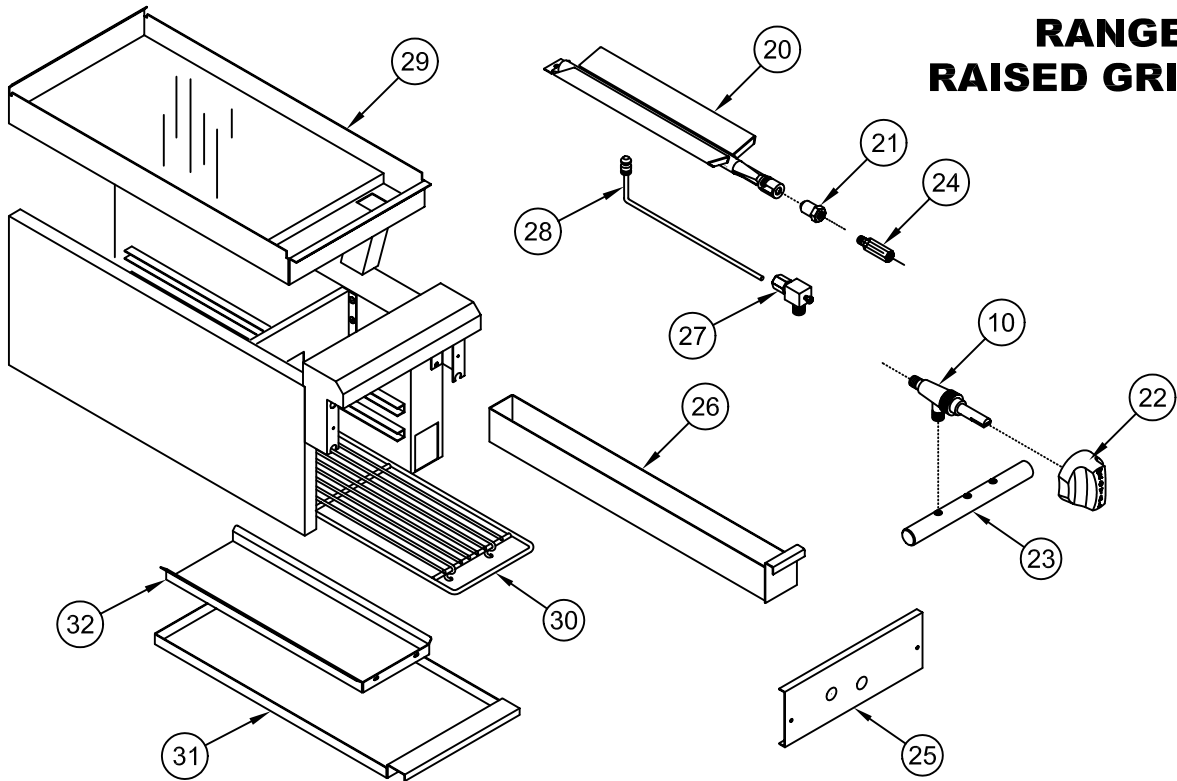
### RANGE GRIDDLE



### RANGE RADIANT BROILER



### RANGE RAISED GRIDDLE



ORIFICE HOOD



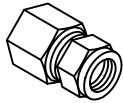
7 14 18

ORIFICE ELBOW



8

GAS VALVE ADAPTER



9

GAS VALVE



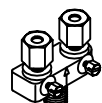
10

B.J. THERMOSTAT



12

DUAL PILOT VALVE



18

GAS VALVE KNOB



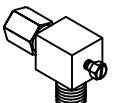
22

ORIFICE ADAPTER



24

90° PILOT VALVE



27

## RR – Series

### **Range Griddle, Radiant Broiler, Raised Griddle**

ITEM NO.	PART NO.	DESCRIPTION
<b>Range Griddle</b>		
1	30411	12" Griddle plate assy. (Left)
	30427	12" Griddle plate assy. (Right)
	30412	24" Griddle plate assy. (Left)
	30428	24" Griddle plate assy. (Right)
	30413	36" Griddle plate assy. (Left)
	30429	36" Griddle plate assy. (Right)
	30451	48" Griddle plate assy. (Left)
	30454	48" Griddle plate assy. (Right)
2	2214	"U" burner (range griddle only)
3	2208	Pilot tip and tube assembly, range griddle
4	2211	Straight burner (range griddle only)
5	30406	Grease can assy.
6	30117	12" Front baffle (Left)
	30425	12" Front baffle (Right)
	30424	24" Front baffle (Left)
	30432	24" Front baffle (Right)
	30408	36" Front baffle (Left)
	30459	36" Front baffle (Right)
	30443	48" Front baffle (Left)
	30446	48" Front baffle (Right)
7	1121-46	Orifice hood (griddle) #46 (brass) natural gas, 20,000 BTU
	1122-55	Orifice hood (griddle) #55 (brass) propane gas, 20,000 BTU
8	1508	Orifice elbow 3/8 CC x 3/8-27 (brass)
9	1627	Adapter 3/8-27 x 3/8" CC (gas valve)
10	1628	Gas valve (brass) w/out orifice
11	1525	Thermostat flange nipple
12	1520	B.J. Thermostat (griddle)
13	1509	1/4 NPT x 3/8 CC Straight fitting
<b>Radiant Broiler</b>		
14	1900	3" x 21" Top Grate (Cast Iron)
15	1902	Burner radiant (cast iron)
16	1904	Stainless steel burner w/ air shutter
17	1121-50	Orifice hood (RB) #50 (brass) natural gas, 15,000 BTU
	1122-56	Orifice hood (RB) #56 (brass) propane gas, 15,000 BTU
18	1211	1/8" NPT x 3/16" CC Adjustable double pilot valve (brass)
19	1937	Pilot tip assembly

**RR – Series (cont.)**  
**Raised Griddle**

ITEM NO.	PART NO.	DESCRIPTION
20	2323	Burner with radiant
21	1121-50 1122-56	Orifice hood (RG) #50 (brass) natural gas, 20,000 BTU Orifice hood (RG) #56 (brass) propane gas, 20,000 BTU
22	3099	Blue knob – flat side up
23	2145 2146	RRG-12" Manifold pipe RRG-24" Manifold pipe
24	1509	3/8" Orifice extension fitting (brass)
25	30286 30308	RRG-12" Valve cover RRG-24" Valve cover
26	30264	RRG Grease can assy.
27	1625	1/8" NPT x 3/16" CC 90° Adjustable single pilot valve (brass)
28	2207	Pilot tip and tube assembly, range raised griddle
29	30287 30312	RRG-12" Griddle plate assy. RRG-24" Griddle plate assy.
30	2324 2325	RRG-12" Rack RRG-24" Rack
31	30276 30296	RRG-12" Crumb tray RRG-24" Crumb tray
32	30275 30295	RRG-12" Drip pan RRG-24" Drip pan