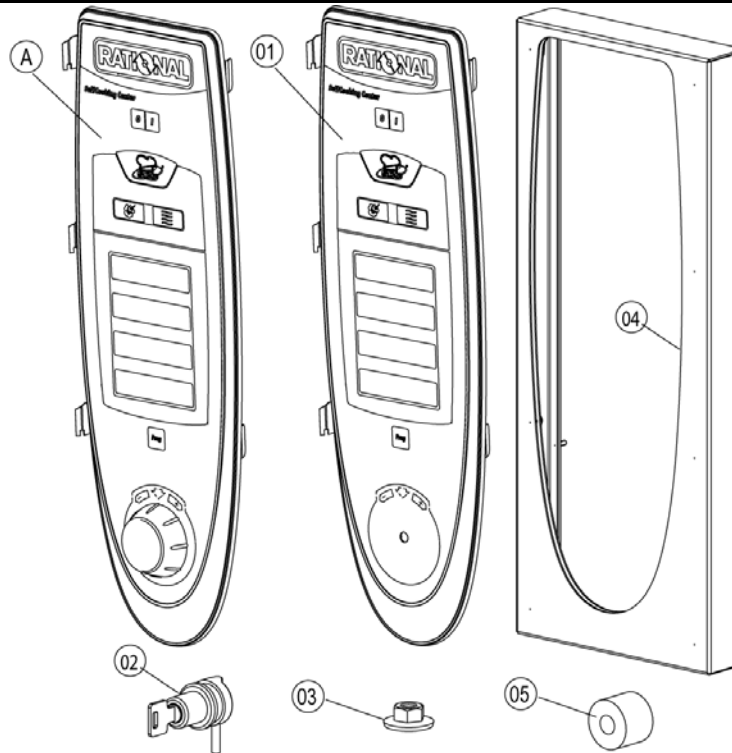
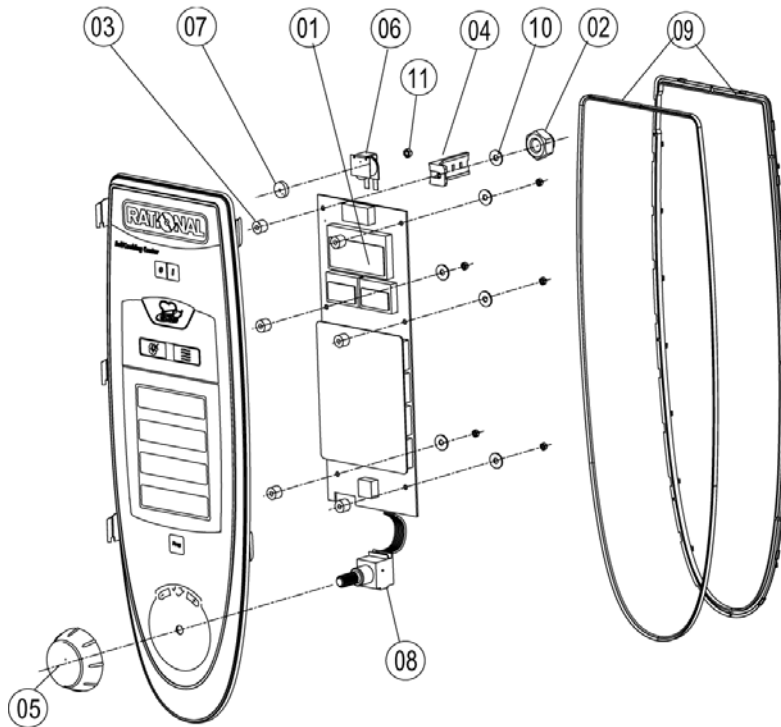


Item no.	Part no	Reference	Description
1		<a href="#">►1</a>	Control panel
2		<a href="#">►2</a>	Electrical installation
3		<a href="#">►3</a>	Clima Plus
4		<a href="#">►4</a>	Steam generator, Bypass
5		<a href="#">►5</a>	Hot air heating
6		<a href="#">►6</a>	Motor and fan wheel
7		<a href="#">►7</a>	Interior cabinet
8		<a href="#">►8</a>	Door
9		<a href="#">►9</a>	Water supply, quenching box
10		<a href="#">►10</a>	Hand shower
11		<a href="#">►11</a>	CleanJet
12		<a href="#">►12</a>	Gas parts
13		<a href="#">►13</a>	Exterior cabinet
14		<a href="#">►14</a>	Miscellaneous

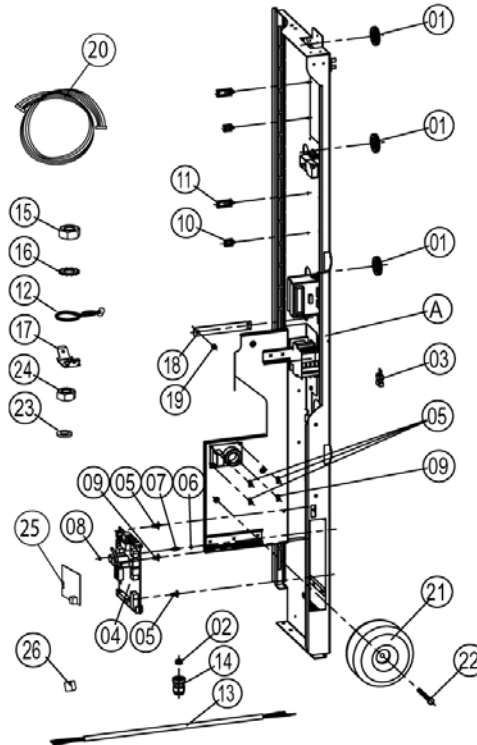
<b>1</b>	<b>Control panel .....</b>	<b>3</b>
1.A	Control panel.....	4
<b>2</b>	<b>Electrical installation .....</b>	<b>5</b>
2.A	Contactor assembly .....	6
<b>3</b>	<b>Clima Plus.....</b>	<b>8</b>
3.A	Hose set f. humidity control .....	9
3.A	Hose set f. humidity control .....	10
<b>4</b>	<b>Steam generator, Bypass .....</b>	<b>11</b>
4.A	Pump connection spout cpl. ....	13
4.B	Venting valve for steam generator .....	14
<b>5</b>	<b>Hot air heating .....</b>	<b>15</b>
5.A	Burner hot air .....	16
<b>6</b>	<b>Motor and fan wheel .....</b>	<b>17</b>
<b>7</b>	<b>Interior cabinet.....</b>	<b>18</b>
7.A	Interior cabinet .....	19
7.B	Gasket frame w. glass a. gaskets .....	20
7.C	Air baffle.....	21
7.C	Air baffle f. Service.....	22
<b>8</b>	<b>Door .....</b>	<b>23</b>
8.A	Door .....	25
8.C	Door catch.....	26
<b>9</b>	<b>Water supply, quenching box.....</b>	<b>27</b>
<b>10</b>	<b>Hand shower.....</b>	<b>28</b>
<b>11</b>	<b>CleanJet.....</b>	<b>29</b>
<b>12</b>	<b>Gas parts .....</b>	<b>30</b>
12.A	Gas valve cpl. ND 055 RG148 .....	32
12.B	Gas valve cpl. WND 055 RG130.....	33
<b>13</b>	<b>Exterior cabinet.....</b>	<b>34</b>
13.A	Exterior cabinet .....	35
<b>14</b>	<b>Miscellaneous .....</b>	<b>36</b>



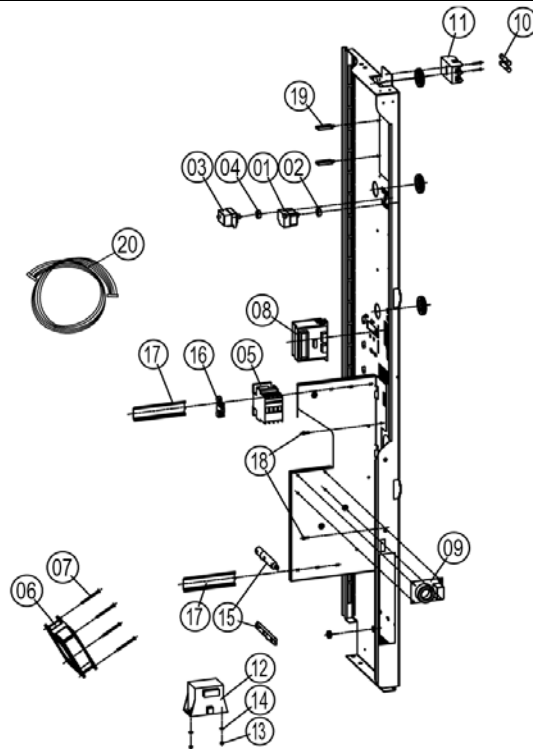
Item no.	Part no	Reference	Description
A		<a href="#">►1.A</a>	Control panel
1	87.00.002		Control panel insert with overlay
5	2039.0326		Spacer for pcb



Item no.	Part no	Reference	Description
1	42.00.002		Control pcb
2	1104.0121		Hex nut M4 self locking
3	10.00.355		Spacer black
4	2020.0400		Fixing device for cable harness
5	16.00.232		Dial f. pulse generator
6	40.02.087		Buzzer
6	3006.0107		Buzzer
7	5110.1029		Gasket mode switch
7	5110.1028		Gasket poti hot air, core temperature
8	40.00.404		Pulse generator
9	16.00.387		Mounting device f.sealing + sealing lip
10	1306.0218		Washer A4,3
11	1103.0122		Hex nut M3 self-locking



Item no.	Part no	Reference	Description
A		<a href="#">►2.A</a>	Contactor assembly
1	4007.0620		Membrane DGC 29
2	10.00.510		Grommet 10/12/16-2
3	42.00.007		External memory
4	40.00.049		Relay-I/O pcb
4	42.00.045		Relay-I/O pcb w/o Sicotronic
5	40.00.417		Fixing clip f. pcb
6	1104.0801		Cage nut M4
7	10.00.243		Spacer M4x8
8	1104.0120		Hex nut M4
9	40.01.579		Fixing clip f. pcb
10	10.00.112		Cable clip short
11	10.00.111		Cable clip long
12	10.00.471		Cable clip d10-12mm
13	40.01.596		Power supply cable 3x2,5mm <sup>2</sup> 3m
14	40.00.320		Cable connection M20x1.5
15	1106.0160		Hex nut M6
16	1206.0120		Tooth lock washer A6,4
17	4002.0110		Cable connector, junction
18	40.01.132		Center fixation f. contactor assembly
19	1106.0224		Hex nut M6 self locking
20	40.01.091		Bus cable 0.4m
20	40.00.471		Bus cable 0.8m
20	40.00.472		Bus cable 1.3m
21	40.00.281		Power transformer
22	10.00.445		Hex screw M8x80
26	40.01.600		Insulating screw joint 2pol.



Item no.	Part no	Reference	Description
1	3014.0328		Dry up protector 275°F/135°C
2	3014.0302		Hex nut M10 for dry-up protector
3	40.01.482		Safety temperature limiter 365°C
4	3014.0327		Hex nut M10x1,0
5	40.00.451		Contacteur MC1A 310 AH6
6	40.00.474		Cooling fan D.C.
7	10.00.238		Screw Torx 4x50
8	40.00.277		Control transformer
9	40.01.483		Electronic noise filter
10	4001.0224		Fuse 6.35x32mm
11	4001.1295		Fuse holder e 1003Si/1DS
12	40.00.592		Transformer f. cooling fan
13	1105.0120		Hex nut M5
14	1305.0160		Washer A5,3x10mm
15	40.01.272		Plug positioning bar I/O pcb
16	4001.1203		End plate for mounting rail
17	2620.370233		Installation rail for Contactor 100mm
17	2816.1307		Installation rail for Contactor 140mm
18	10.00.061		Pan head screw Torx T20 M4x12
19	10.00.111		Cable clip long
20	40.00.221		Cable burner blower
20	40.01.485		Cable burner blower
20	40.00.209		Cable buzzer
20	40.01.541		Cable CDS sensor
20	40.01.301		Cable control harness
20	40.01.543		Cable control transformer sec.
20	40.00.225		Cable control transformer sec.
20	40.00.238		Cable differential pressure switch
20	40.00.230		Cable gas valve
20	40.00.249		Cable harness isolating transformer

**Attention!** Individual parts shown might not be used in this component group!



## SCC 202G

Valid as of G22SE0404 up to G22SE....

Gas unit

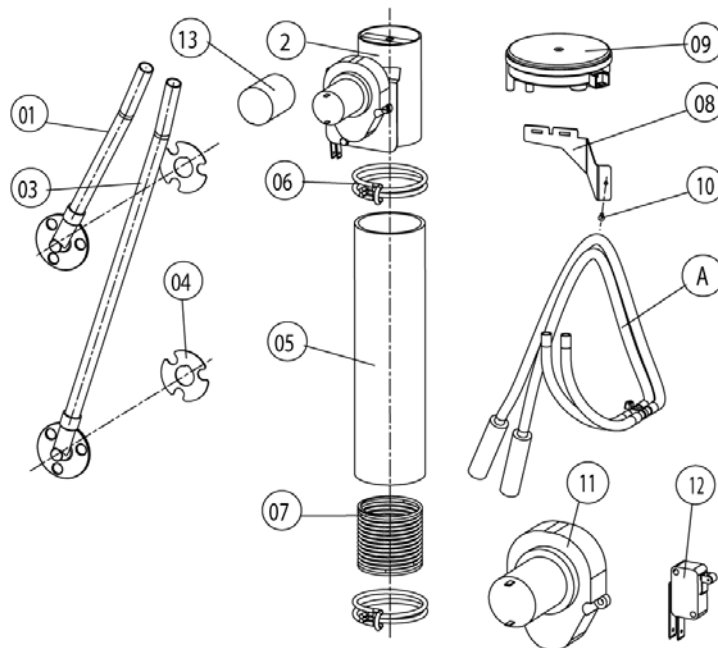
### ▶ 2.A Contactor assembly

2

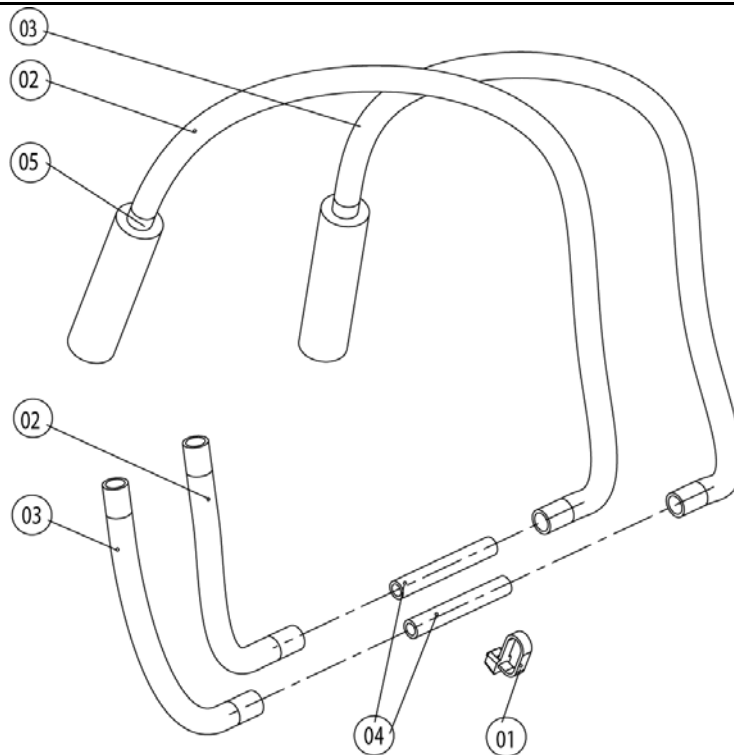
2 Electrical installation

Voltage 1 NAC 100V 50-60Hz

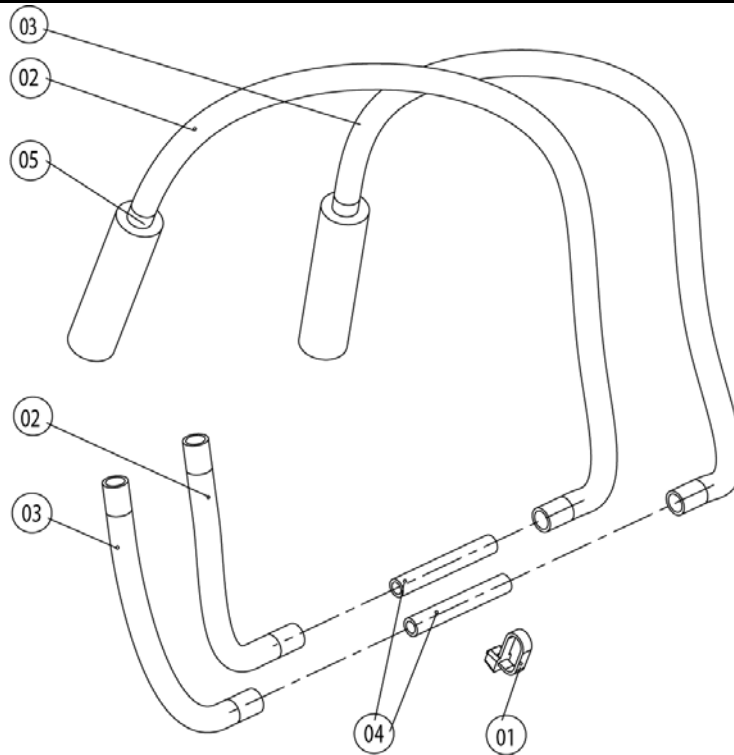
Item no.	Part no	Reference	Description
20	40.00.208		Cable humidity control
20	40.01.542		Cable level electrode
20	40.00.226		Cable SC pump
20	40.00.203		Cable solenoid valve
20	40.00.237		Ground wire



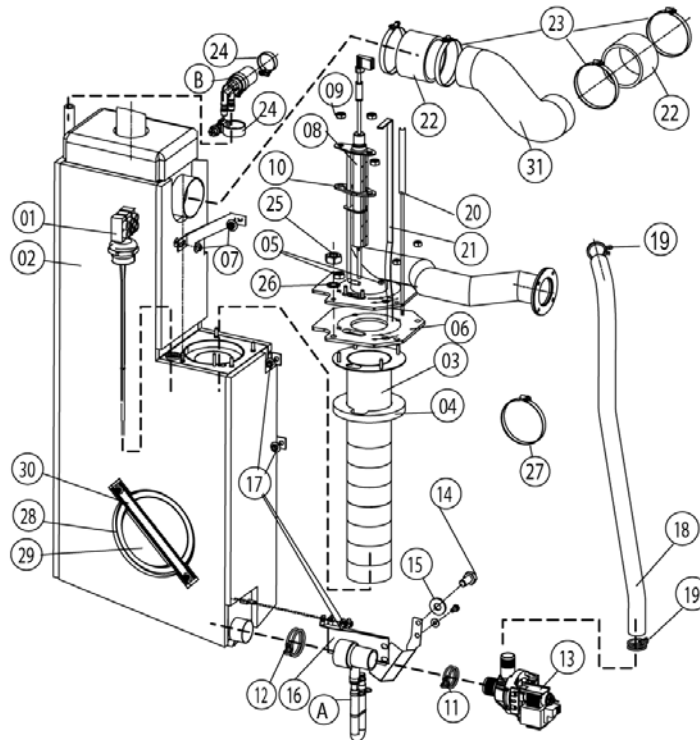
Item no.	Part no	Reference	Description
A	22.00.287	<a href="#">▶3.A</a>	Hose set f. humidity control
A	22.00.256	<a href="#">▶3.A</a>	Hose set f. humidity control
1	22.00.199		Inner humidity meas. Piece
2	22.00.318		Humidity control cpl. with motor
3	22.00.200		Outer humidity meas. Piece
4	22.00.198		Gasket f. hum. meas. Pipe
5	22.00.214		Hose d50x202
6	2066.0531		Hose clamp ø56
7	2001.0124		Compression spring
9	3017.1011		Pressure sensor for humidity control Huba 401
11	3101.1010		Humidity control motor
12	3016.0102		Micro switch
13	3101.1021		Protecting cap f.12VDC humidity motor



Item no.	Part no	Reference	Description
1	4005.0101		Tie rap 145 mm
2	2110.1020		Silicon hose $\varnothing 5 \times 1.5$ blue
3	2110.1019		Silicone hose $\varnothing 5 \times 1,5$ "red"
4	1900.0203		Ceramic tube 8x5x60mm for
5	2112.1338		Silicone hose $\varnothing 8 \times 2 \times 20$



Item no.	Part no	Reference	Description
1	4005.0101		Tie rap 145 mm
2	2110.1020		Silicon hose $\varnothing 5 \times 1.5$ blue
3	2110.1019		Silicone hose $\varnothing 5 \times 1,5$ "red"
4	1900.0203		Ceramic tube 8x5x60mm for
5	2112.1338		Silicone hose $\varnothing 8 \times 2 \times 20$



Item no.	Part no	Reference	Description
A	8354.1320	<a href="#">►4.A</a>	Pump connection spout cpl.
B	8354.1304	<a href="#">►4.B</a>	Venting valve for steam generator
1	44.00.287		Filling level electrode 135mm
2	44.00.187		Steam generator insolated
3	72.00.011		Burner steam gen.
4	72.00.048		Insulation f. burner steam gen.
5	1104.0122		Hex combination nut M4 galv
6	72.00.020		Gasket f. burner carrier
7	1105.0121		Hex combination nut M5 galv
8	44.00.249		Ignition electrode steam generator
9	1104.0120		Hex nut M4
10	44.00.250		Gasket f. ignition electrode
11	2066.0519		Hose clamp 35,6mm
12	2066.0526		Hose clamp ø46mm
13	44.00.207		Emptying pump
14	1006.0762		Hex screw M6x10
15	1306.0222		Washer A6,4x15x1,5
16	44.00.226		Fixing device f. pump steam generator
17	1106.0803		Hex combination nut M6 galv
18	44.00.238		Drain hose steam generator
19	2066.0518		Hose clamp 30mm
20	40.01.095		Thermocouple steam gen. (B5)
20	40.00.291		Thermocouple steam generator
21	44.00.517		Fixing plate steam generator thermostat
22	44.00.362		Steam hose 70x5
23	2066.0505		Hose clamp 70-90mm
24	2066.0506		Hose clamp 20-32mm
25	1105.0120		Hex nut M5
26	1205.0120		Tooth lock washer A5,3
27	2066.0300		Hose clamp 50-70 mm



## SCC 202G

Valid as of **G22SE0404** up to **G22SE....**

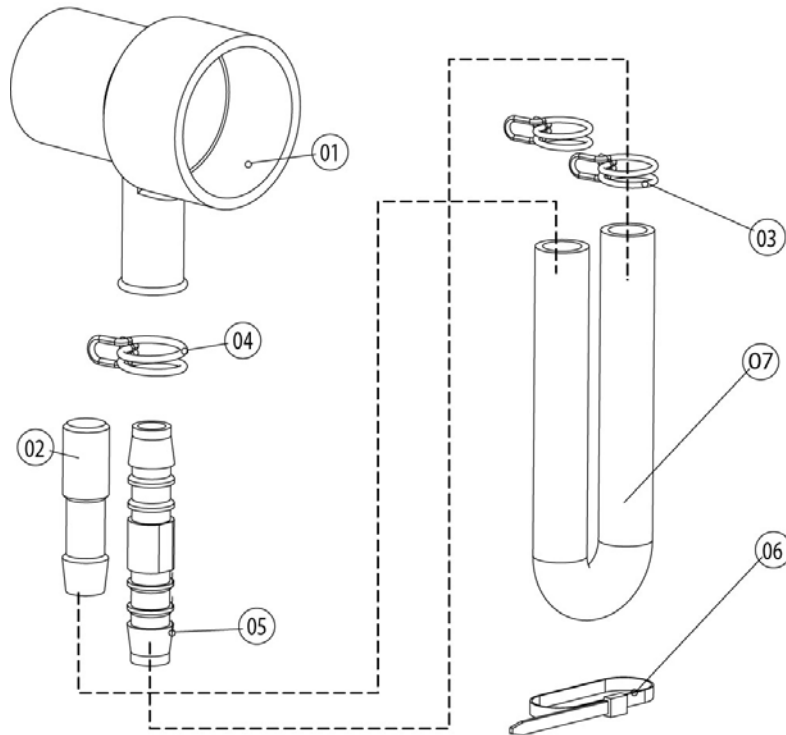
Gas unit

### ▶ 4 Steam generator, Bypass

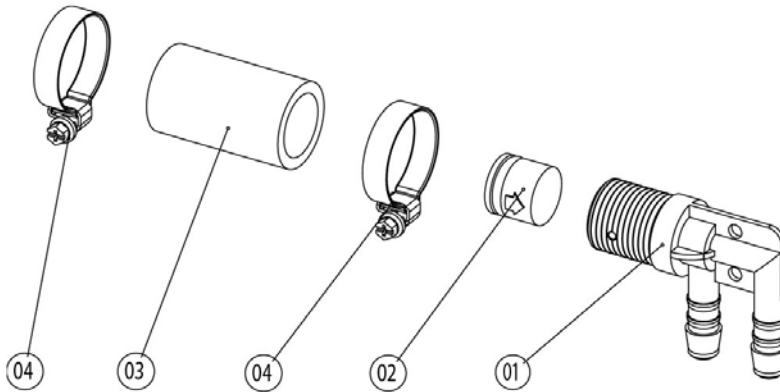
4

4 Steam generator, Bypass Voltage 1 NAC 100V 50-60Hz

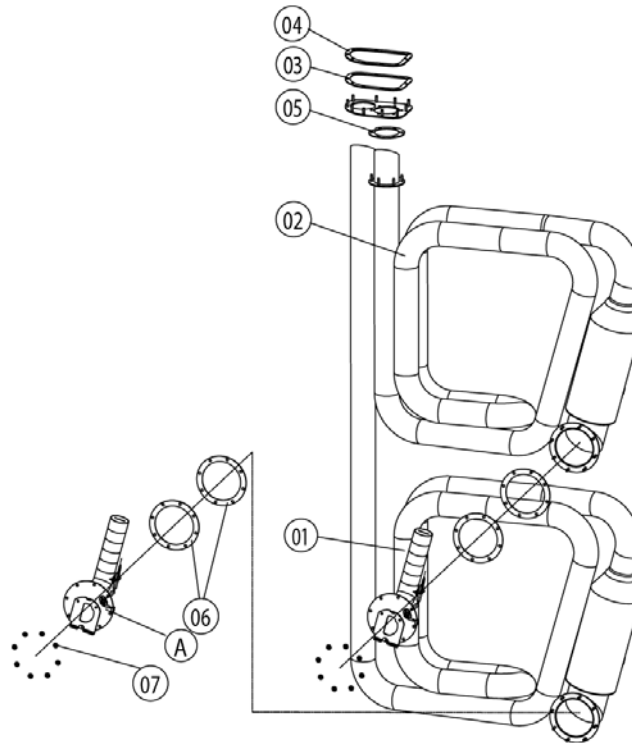
Item no.	Part no	Reference	Description
28	5012.0566		Gasket quenching chamber O-ring
29	44.00.263		Panel for revision hole steam generator
30	44.00.264		Clamping bar for panel revision hole
31	44.00.361		Steam pipe



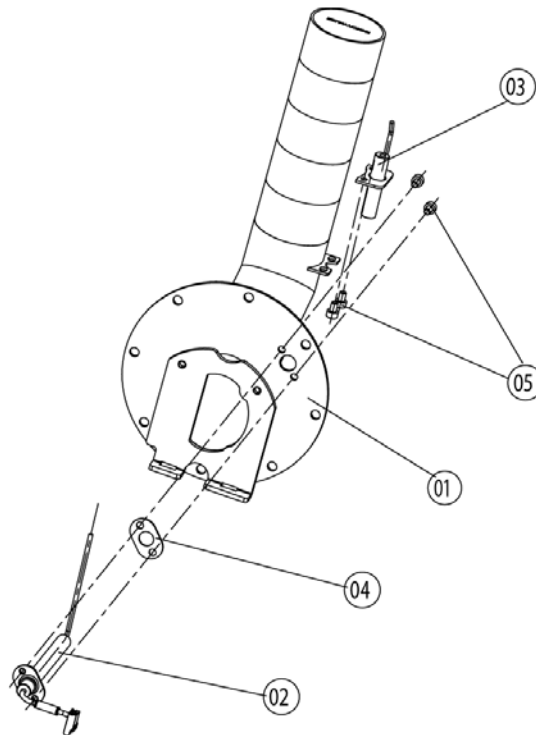
Item no.	Part no	Reference	Description
1	2118.1000		Pump connection spout
2	2120.1259		Stop plug 10mm
3	2066.0527		Hose clamp ø14mm
4	2066.0530		Hose clamp ø16.4mm
5	2062.0331		Junction pressure hose GS 10
6	4005.0101		Tie rap 145 mm



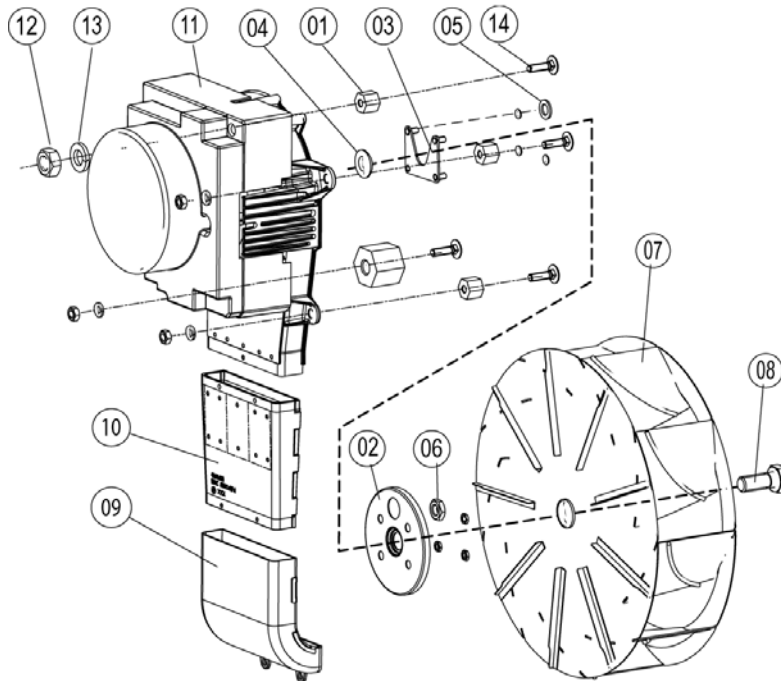
Item no.	Part no	Reference	Description
1	2062.0332		Receptacle for ventilation valve SG
2	2069.0108		Ventilation valve
3	2112.1310		Form hose for ventilation of steam generator
4	2066.0506		Hose clamp 20-32mm



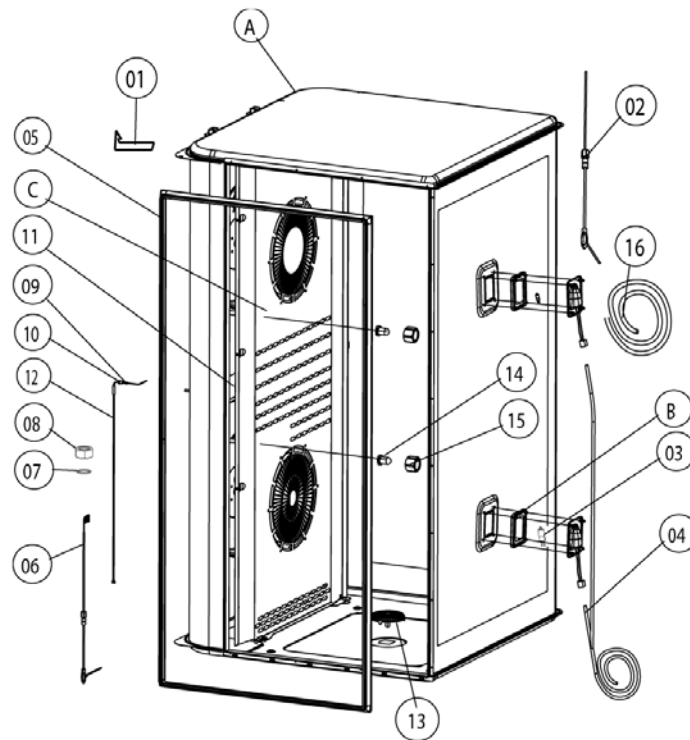
Item no.	Part no	Reference	Description
A	74.00.243	<a href="#">►5.A</a>	Burner hot air
1	74.00.180		Hot air heat exchanger below
2	74.00.183		Hot air heat exchanger top
3	74.00.234		Gasket hot air heat exchanger/interior cabinet
4	74.00.313		Mating flange heat exchanger
5	74.00.318		Gasket f. heat exchanger top
6	74.00.296		Gasket f. heat exchanger below
7	1105.0122		Hex combination nut M5 V2A



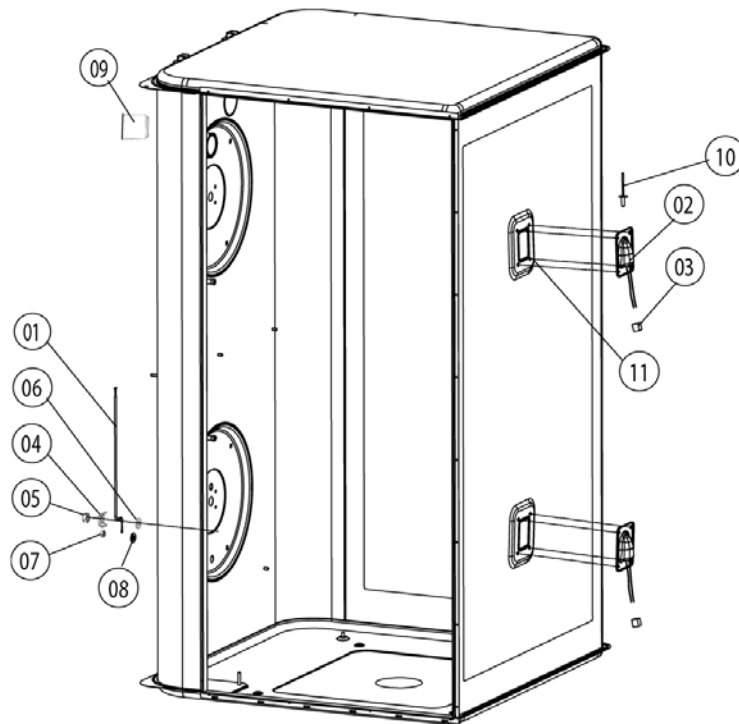
Item no.	Part no	Reference	Description
1	74.00.343		Burner welded hot air
2	74.00.230		Ignitionelectrode1 f. hot air
3	74.00.235		Ignitionelectrode2 f. hot air
4	74.00.290		Gasket electrode hot air
5	10.00.696		Allen screw M4x6 w. Precoat 85
5	10.00.060		Pan head screw Torx M4x6



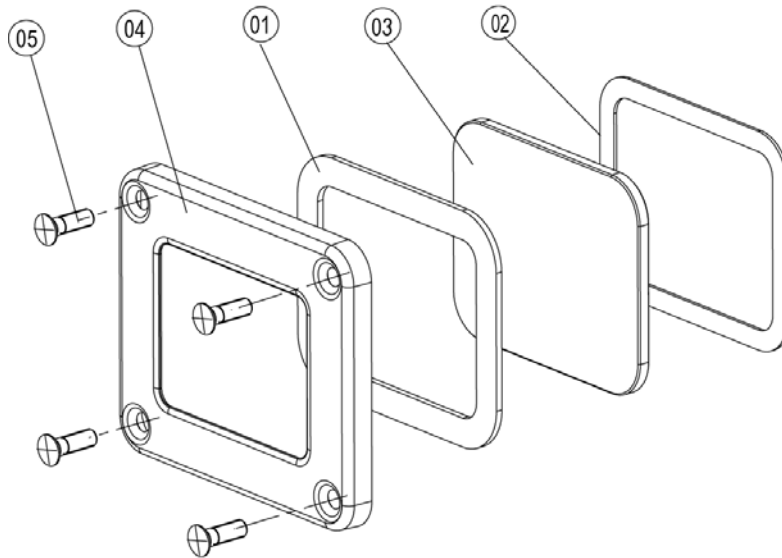
Item no.	Part no	Reference	Description
1	2120.1306		Spacer SW19x17
2	22.00.123		Flange f. motor shaft gasket
3	22.00.120		Mounting support f. gasket flange
4	22.00.083		Motor shaft gasket
5	1315.0101		Copper washer 6x10
6	1106.0220		Hex nut M6 flat
7	22.00.192		Fan weel d340x135
8	10.00.565		Hex screw M8x20
8	1008.0763		Hex screw M8x20
11	40.00.274		Fan motor
12	1108.0260		Hex nut M8
12	10.00.071		Hex nut M8
12	10.00.710		Hex nut M8 w. locking
13	1208.0260		Spring washer B8
14	1008.1005		Square necked mushroom head bolt 8x40



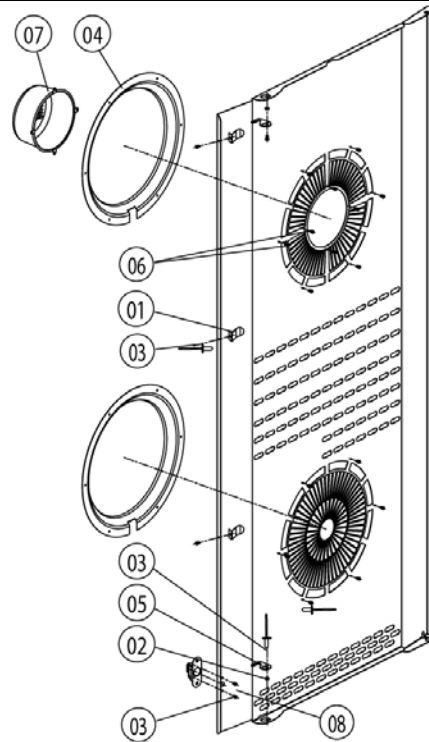
Item no.	Part no	Reference	Description
A		<a href="#">►7.A</a>	Interior cabinet
B	40.00.091	<a href="#">►7.B</a>	Gasket frame w. glass a. gaskets
C	22.00.385	<a href="#">►7.C</a>	Air baffle
C		<a href="#">►7.C</a>	Air baffle f. Service
3	3024.0201		Halogen bulb for interior cabinet 300°C
4	40.00.224		Wiring interior light
5	20.00.399		Door gasket
6	40.02.101		Meat probe sensor
6	40.01.942		Meat probe sensor
6	40.00.295		Meat probe sensor
7	1315.0104		Copper washer 16x20x1,5
8	10.00.422		Hex nut M16
9	3014.0162		Sealing cone for thermocouple
10	3014.0163		Gasket sleeve with nipple
11	22.00.222		Air baffle support
11	22.00.429		Air baffle support
12	40.01.099		Thermocouple interior cabinet (B1)
13	2005.0308		Outlet sieve
14	50.00.395		Nozzle f. moistening
15	50.00.394		Union nut M12x12



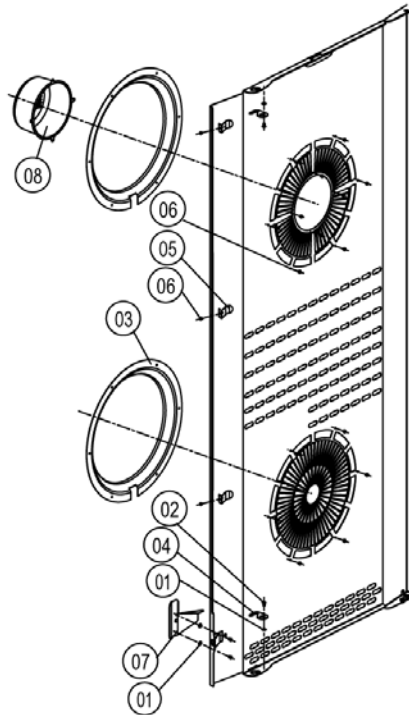
Item no.	Part no	Reference	Description
1	40.00.399		Thermocouple humidity
2	40.00.098		Reflector f. interior light
3	4001.1248		Porcelain connector 2-pin interior light
4	1330.0100		Clamp strap f. sensor
5	1106.0224		Hex nut M6 self locking
6	1306.0120		Washer A6,4
7	1104.0120		Hex nut M4
8	1204.0120		Tooth lock washer A4,3
9	2120.1277		Base for sensor connection
10	1603.0167		Tubular rivet 3,2x0.25x10
11	10.00.041		Rivet nut M5 hexagon closed



Item no.	Part no	Reference	Description
1	40.00.093		Outer gasket f. interior light
2	40.00.094		Inner gasket f. interior light
3	40.00.095		Glass pane f. interior light
4	40.00.096		Gasket frame f. interior light
5	10.00.682		Phillips countersunk-head screw M5x16



Item no.	Part no	Reference	Description
1	40.01.289		Fixing clip core temp. cable
2	1304.0160		Washer A4,3
3	1604.0167		Rivet 4x10
4	22.00.332		Air sucking ring f. air baffle
5	2760.1370		Latch hook for air baffle
6	10.00.515		Rivet 3,2x5 A4
6	1603.0168		Rivet 3,2x8 A4
7	22.00.361		Deep-draw f. air baffle
8	22.00.440		Guard plate f. core sensor



Item no.	Part no	Reference	Description
1	1304.0160		Washer A4,3
2	1604.0167		Rivet 4x10
3	22.00.332		Air sucking ring f. air baffle
4	2760.1370		Latch hook for air baffle
5	40.01.289		Fixing clip core temp. cable
6	10.00.515		Rivet 3,2x5 A4
6	1603.0168		Rivet 3,2x8 A4
7	22.00.440		Guard plate f. core sensor
8	22.00.361		Deep-draw f. air baffle





# SCC 202G

Valid as of G22SE0404 up to G22SE....

Gas unit

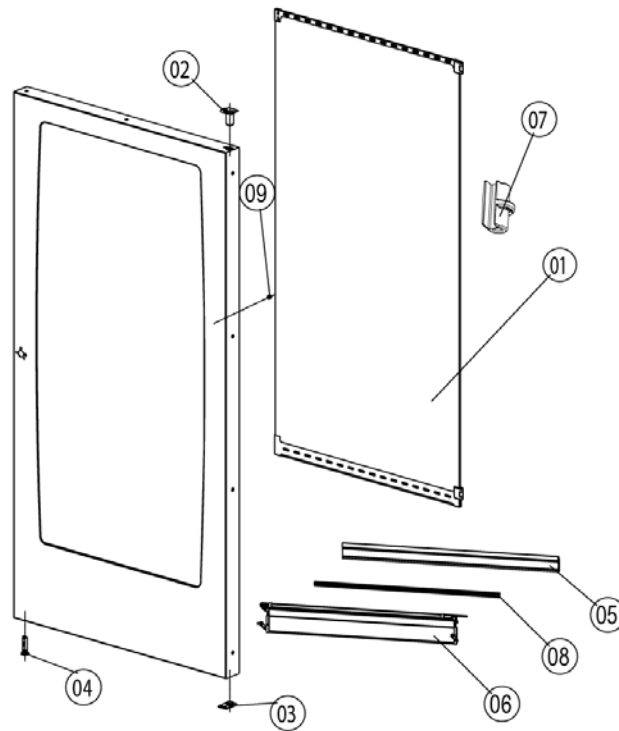
▶ 8 Door

8

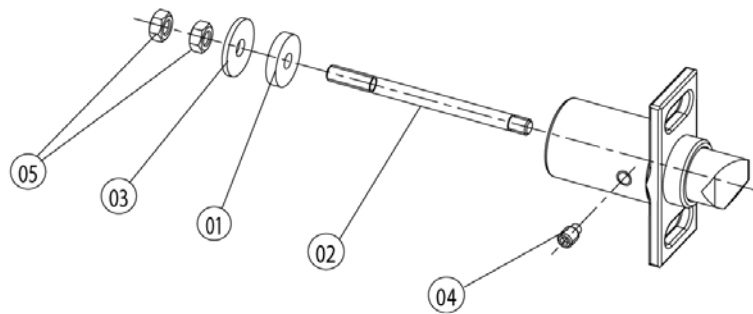
8 Door

Voltage 1 NAC 100V 50-60Hz

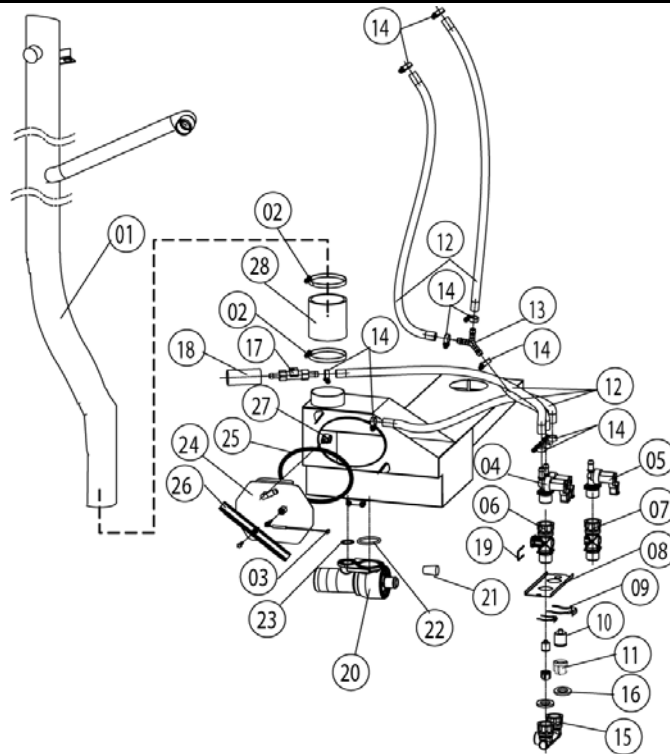
Item no.	Part no	Reference	Description
26	10.00.099		Hex screw M8x12
27	1005.1903		Straight pin ø5,6x12
28	1004.0906		Hex socket set screw M4x8



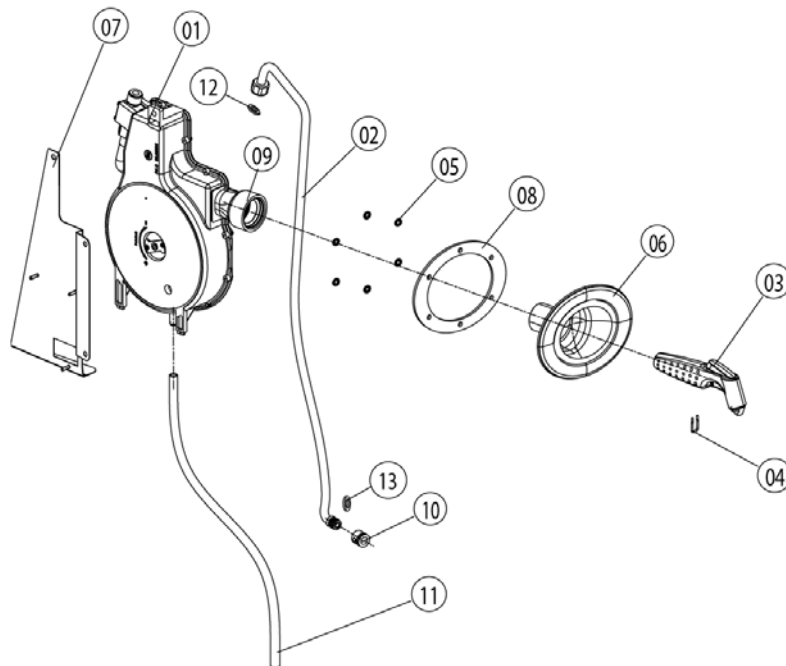
Item no.	Part no	Reference	Description
1	24.00.212		Inner glass pane
2	24.00.147		Sleeve for door bolt top
3	24.00.159		Door setting bolt
4	24.00.503		Fixing device f. magnet with magnet
5	24.00.194		Gasket glass pane/trolley
6	24.00.178		Pre heat mechanism f. door cpl.
7	24.00.507		Fixing device middle f.inter. glass pane
8	24.00.701		Additional gasket f. trolley
9	24.01.259		Plastic buffer 8,1mm



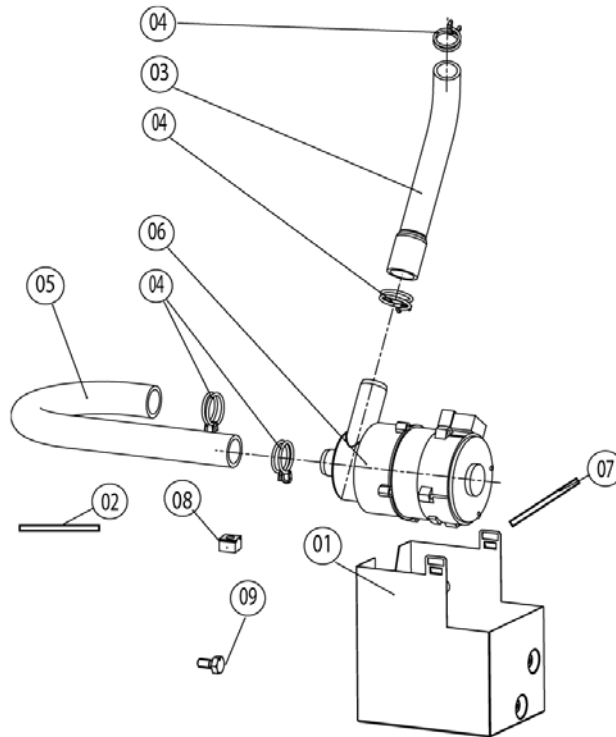
Item no.	Part no	Reference	Description
1	5012.0711		Silicone plate for door
2	1006.1000		Stud bolt M6x75
3	1306.0550		Washer A6,6
4	1004.0904		Hex socket set screw M6x10
5	1106.0160		Hex nut M6
6	2001.0119		Compression spring f. door catch
7	1006.0625		Allen screw M6x70



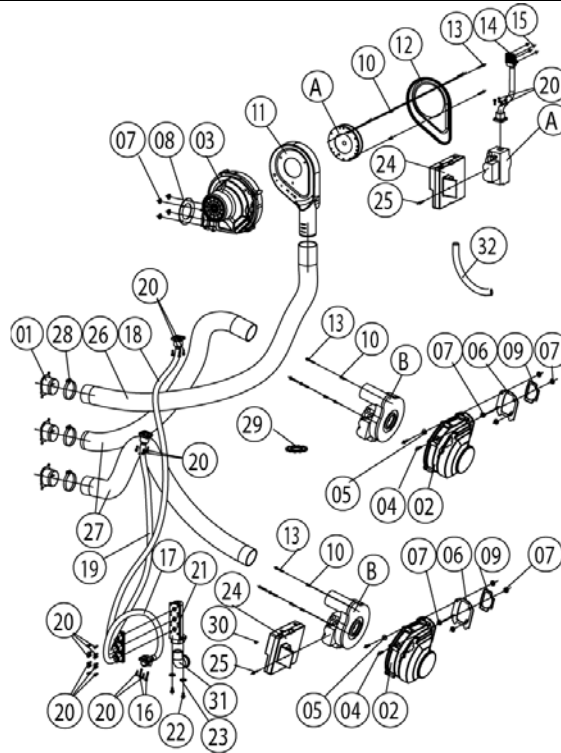
Item no.	Part no	Reference	Description
1	54.00.210		Exhaust pipe
2	2066.0516		Hose clamp 60-80 mm
3	40.00.398		Thermocouple quenching
4	50.00.138		Double solenoid valve
5	50.00.139		Single solenoid valve
6	50.00.072		Water distribution vert roll guide con.
7	50.00.073		Water distribution vert w/o roll guide con.
8	50.00.277		Mounting device f. water distribution
9	50.00.086		Locking plate f. water distribution
10	50.00.078		Non return valve DW16/DN12
11	1900.0202		Water filter
12	2067.0050		Pressure hose d10mm
13	2062.0303		Y-filting YS10
14	2066.0205		Hose clamp 8-16x9 mm SW 7mm
15	8664.1301		T-fitting water connection
16	5110.1024		Gasket for G3/4" threaded joint
17	44.00.670		Water volume sensor with wire
18	2112.1346		Protecting hose ø28x2x70mm
19	50.00.085		Plug-in spring f. hand shower roll guide
20	54.00.357		Ball valve drain SCC cpl.
21	10.00.369		Plug cone shaped
22	10.00.511		O-ring for ball valve drain 46x3.5
23	10.00.512		O-ring for ball valve drain 26x3.5
24	54.00.237		Inspection lid f. quenching chamber
25	5012.0566		Gasket quenching chamber O-ring
26	54.00.225		Clamping bar
27	2016.0943		Quenching nozzle
28	2112.1307		Hose 70x5mm



Item no.	Part no	Reference	Description
1	50.00.176		Hand shower roll guide
2	50.00.230		Connect. pipe f. hand shower roll guide
3	50.00.130		Hand shower
4	50.00.156		Clamp f. hand shower roll guide
5	1107.0100		Star lock $\varnothing 4$
6	50.00.135		Tulip for handshower
7	50.00.544		Mounting device f. hand sh. roll guide
8	50.00.290		Gasket f. tulip
9	50.00.297		Gasket f. tulip
10	2069.0107		Non return valve DN6 steam generator
11	50.00.548		Hose $\varnothing 10 \times 2 \times 500$ f. hand shower
12	50.00.537		Gasket f. connect.pipe hand shower roll guide
13	50.00.538		O-ring f. connect. pipe f. hand shower roll guide



Item no.	Part no	Reference	Description
1	12.00.245		Housing f. Cleaning pump
2	10.00.091		Rubber profile f. edge protection
3	56.00.175		Pressure hose f. cleaning
4	2066.0521		Hose clamp 27mm
5	56.00.176		Suction hose f. cleaning
6	56.00.178		Pump f. cleaning UP30
7	12.00.280		Fixing device pump housing
8	1106.0802		Cage nut M6
9	1006.0760		Hex screw M6x16



Item no.	Part no	Reference	Description
A	70.00.068	<a href="#">►12.A</a>	Gas valve cpl. ND 055 RG148
B	70.00.029	<a href="#">►12.B</a>	Gas valve cpl. WND 055 RG130
1	70.00.222		Air hose fixing device 50mm
2	70.00.028		Blower for burner RG130
3	70.00.067		Blower for burner RG148
4	1008.0750		Hex screw M5x16
5	1305.0160		Washer A5,3x10mm
6	74.00.310		Flange f. burner blower RG130
7	1105.0122		Hex combination nut M5 V2A
8	70.00.242		Gasket f. steam gen blower RG148
9	74.00.301		Gasket f. blower burner
10	10.00.065		Countersunk screw Torx T20 M4x12
11	70.00.239		Premix chamber gas f. RG148
12	70.00.238		Premix chamber cover gas f. RG148
13	10.00.063		Pan head screw Torx T20 M4x25
14	70.00.246		Pipe gas valve-premix chamber
15	1104.0121		Hex nut M4 self locking
16	10.00.064		Pan head screw Torx T20 M4x30
17	70.00.152		Corrugated hose 160mm
18	70.00.149		Corrugated hose 1100mm
19	70.00.196		Corrugated hose 780mm
20	10.00.061		Pan head screw Torx T20 M4x12
21	74.00.309		Gas connection manifold 3x3/4"
22	1006.0762		Hex screw M6x10
23	1306.0222		Washer A6,4x15x1,5
24	74.00.221		Automatic ignition controller
25	10.00.062		Pan head screw Torx T20 M4x20
26	70.00.147		Air hose D50x1550mm
27	70.00.135		Air hose D50x1100mm
28	2066.0504		Hose clamp 40-60mm



# SCC 202G

Valid as of G22SE0404 up to G22SE....

Gas unit

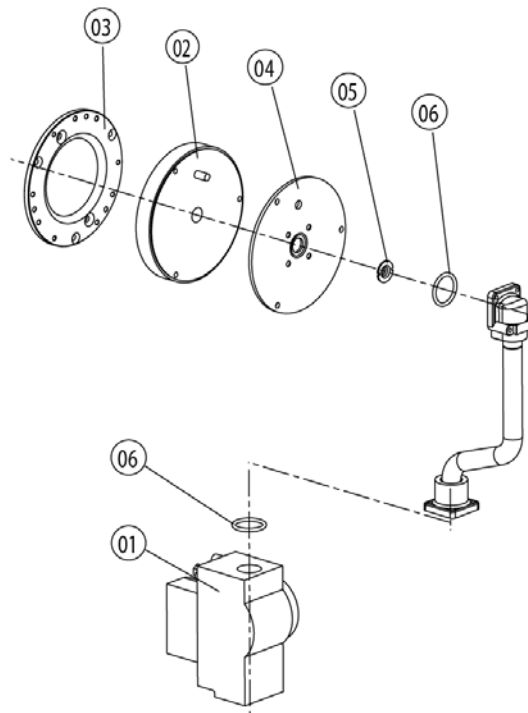
▶ 12 Gas parts

12

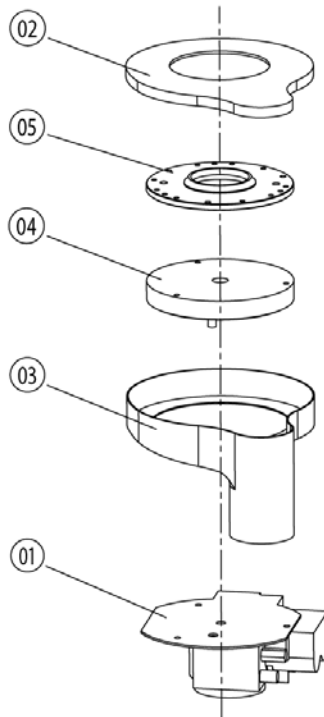
12 Gas parts

Voltage 1 NAC 100V 50-60Hz

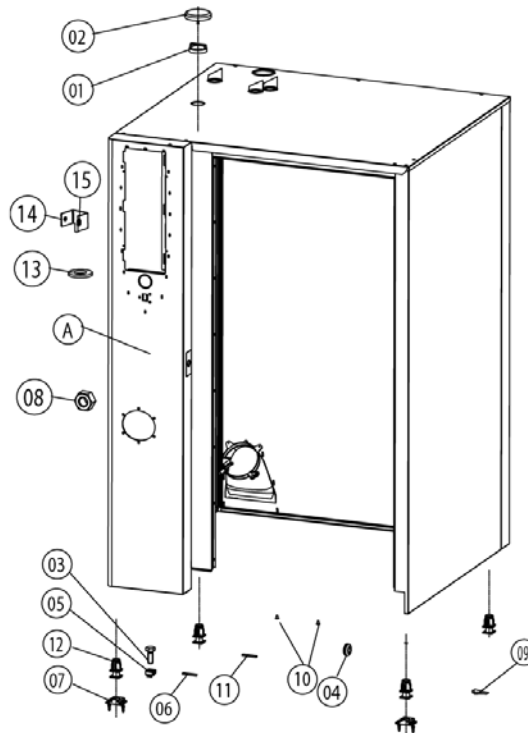
Item no.	Part no	Reference	Description
29	1204.0120		Tooth lock washer A4,3
30	40.01.581		Jumper
32	70.00.280		Silicone hose ø4x1,5



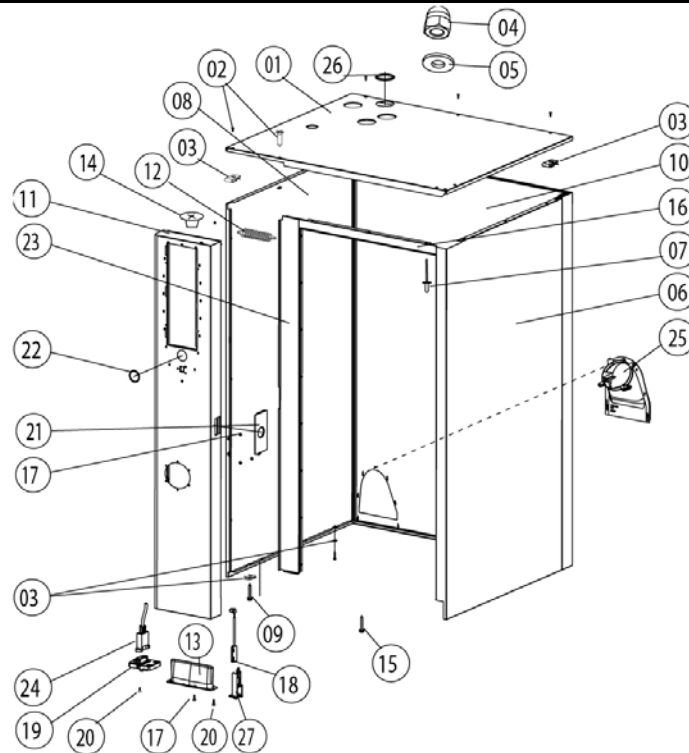
Item no.	Part no	Reference	Description
1	70.00.220		Gas valve GB 055 ND (straight)
2	70.00.106		Premix disc gas
3	70.00.208		Disc premix chamber-blower RG148
4	70.00.108		Disc gas valve-premix chamber
5	70.00.260		Gas nozzle 7mm
6	70.00.261		O-ring 17x1.5



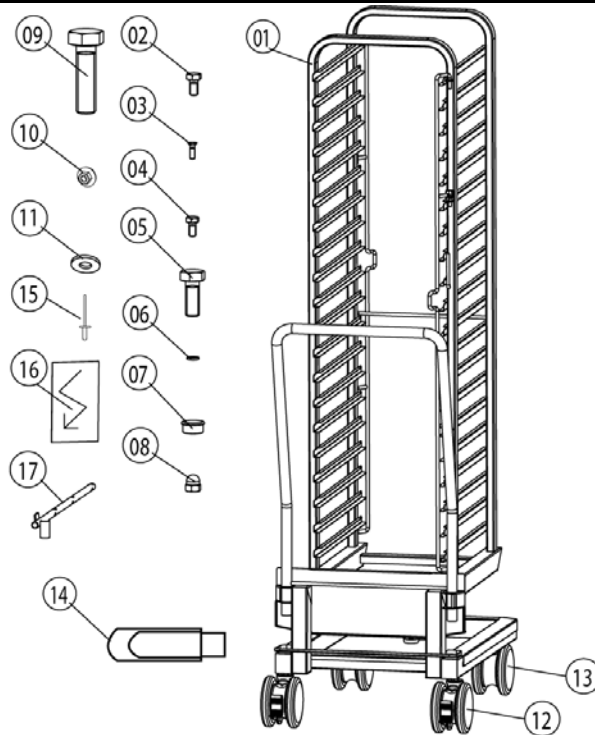
Item no.	Part no	Reference	Description
1	70.00.031		Gas valve GB 055 WND (lateral)
2	70.00.255		Premix chamber cover gas f. RG130
3	70.00.030		Premix chamber gas f. RG130
4	70.00.106		Premix disc gas
5	70.00.256		Disc premix chamber-blower RG130



Item no.	Part no	Reference	Description
A		<a href="#">►13.A</a>	Exterior cabinet
1	22.00.354		Spacer ring
1	8450.1310		Spacer ring
2	22.00.353		Vent cover
2	8455.1209		Vent cover
3	1006.0760		Hex screw M6x16
4	2022.0101		Grommet 18 mm
5	1106.0802		Cage nut M6
6	10.00.091		Rubber profile f. edge protection
7	8700.0317		Floor fixing for units
9	5006.0213		Glue for floor fixing brackets
11	5013.0100		Edge protection profile
12	2039.0111		Foot adjustable, metal, 40 x 40



Item no.	Part no	Reference	Description
1	16.00.333		Top cover
2	1003.2265		Countersunk self tapping screw 4,2x16
3	1104.0820		Snap nut 4,2mm
4	1105.0260		Cap nut M5, high shape
5	1305.0160		Washer A5,3x10mm
6	16.00.158		Side panel right
7	1603.0166		Rivet 3,2x7,9 CNS closed
8	16.00.139		Side panel left
9	10.00.102		Hex self tapping screw B4,2x32
10	16.00.383		Back panel
11	16.00.296		Front panel
12	2002.0107		Tension spring for front panel
13	16.00.673		Air inlet filter
14	2039.0331		Cap for service door
15	1004.2160		Hex self tapping screw 4,2x16
16	16.00.331		Crossbar top
17	10.00.103		EJOT PT-screw KA 3.5x10
18	40.00.335		Door switch
19	16.00.329		Cover f. USB interface
20	10.00.460		EJOT PT-Screw Torx 3,5x14
21	16.00.115		Rosette
22	16.00.338		Edge protection profile
23	16.00.358		Crossbar front panel
24	40.00.470		Interface cable USB 1.5m
25	40.00.476		Exhaust channel
26	5105.1028		Gasket f. breather tube d=74mm
27	16.00.384		Bracket for door contact switch



Item no.	Part no	Reference	Description
1	60.22.086		Mobile oven rack for type 202,
2	1008.0760		Hex screw M8x16
3	10.00.448		Phillips countersunk-head screw M5x16
4	1004.0666		Hex screw M4x10
5	10.00.565		Hex screw M8x20
6	1208.0160		Tooth lock washer A8,4
7	10.00.357		Rubber plug black
8	1106.0360		Cap nut M6, high shape
12	60.60.100		Castor with brake $\varnothing$ 125mm
13	60.60.101		Castor without brake $\varnothing$ 125mm
14	42.00.029		USB-Memory-Stick
15	1603.0162		Rivet 3,2x9
16	4019.0008		Sticker Electric/Danger
17	60.60.574		Positioning support f. core sensor