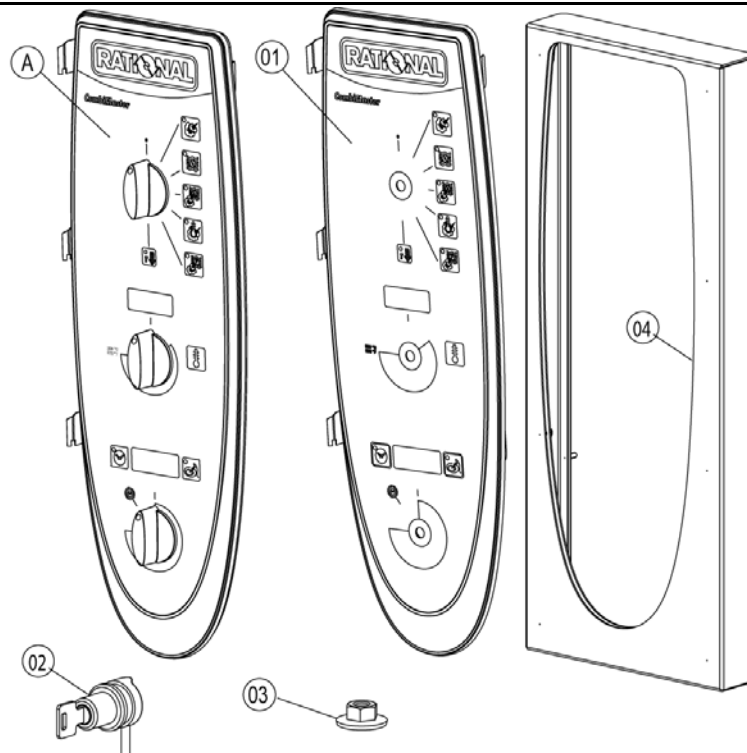
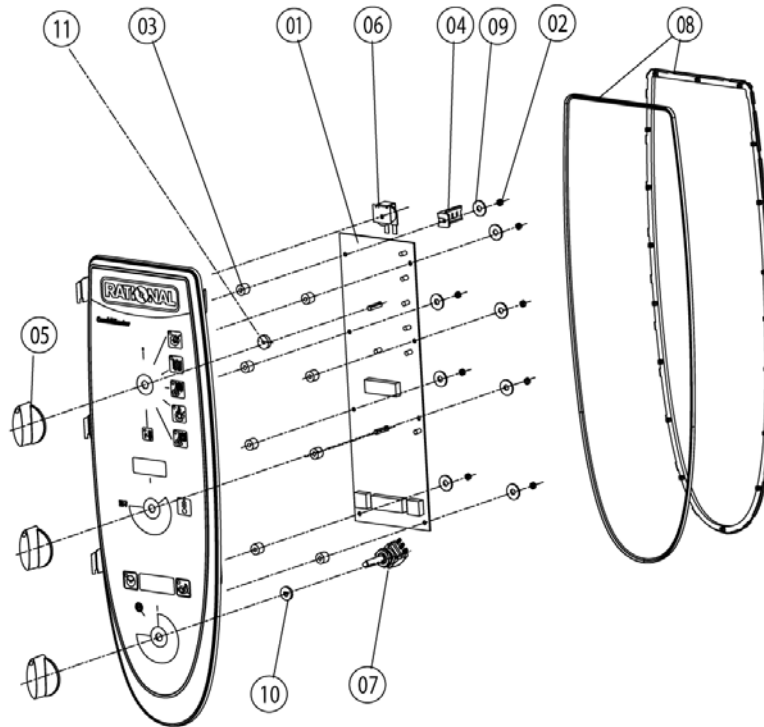


Item no.	Part no	Reference	Description
1		►1	Control panel
2		►2	Electrical installation
3		►3	Clima Plus
4		►4	Steam generator, Bypass
5		►5	Hot air heating
6		►6	Motor and fan wheel
7		►7	Interior cabinet
8		►8	Door
9		►9	Water supply, quenching box
13		►13	Exterior cabinet
14		►14	Miscellaneous

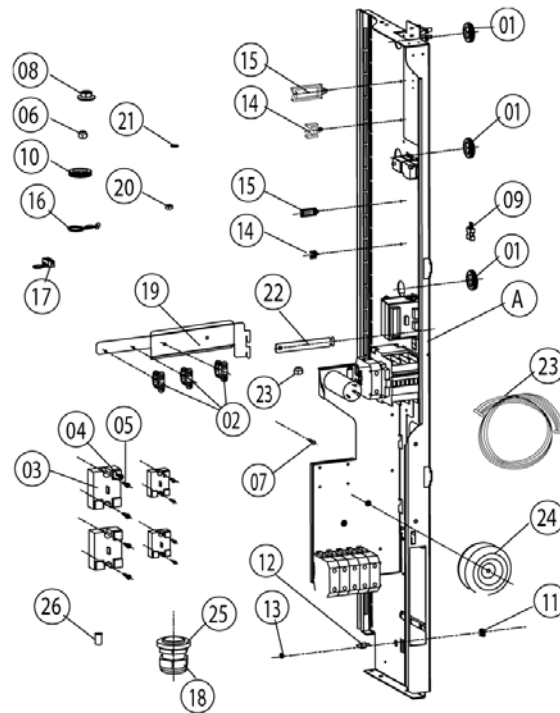
1	Control panel	3
1.A	Control panel.....	4
2	Electrical installation	5
2.A	Contact assembly	6
3	Clima Plus.....	8
4	Steam generator, Bypass	9
4.A	Pump connection spout cpl.	10
4.B	Venting valve for steam generator	11
5	Hot air heating	12
6	Motor and fan wheel	13
7	Interior cabinet	14
7.A	Interior cabinet welded	15
7.B	Gasket frame w. glass a. gaskets	16
7.C	Air baffle.....	17
7.C	Air baffle.....	18
8	Door	19
8.A	Door	21
8.C	Door catch.....	22
9	Water supply, quenching box.....	23
13	Exterior cabinet.....	24
13.A	Exterior cabinet	25
14	Miscellaneous	26



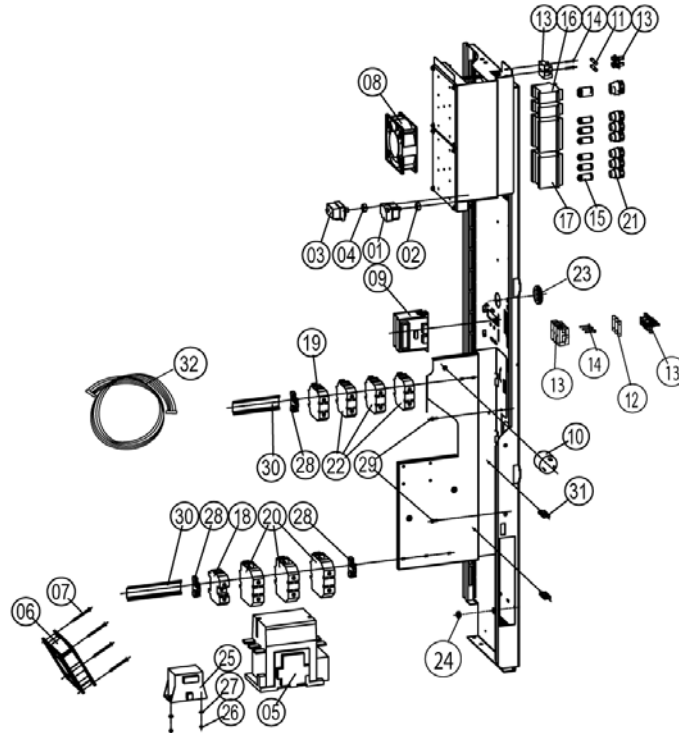
Item no.	Part no	Reference	Description
A		►1.A	Control panel
1	87.00.001		Control panel insert with overlay



Item no.	Part no	Reference	Description
1	42.00.047		Control pcb Index "MF"
2	1103.0122		Hex nut M3 self-locking
2	1104.0121		Hex nut M4 self locking
3	10.00.355		Spacer black
4	2020.0400		Fixing device for cable harness
5	16.00.282		Dial
6	40.02.087		Buzzer
7	40.00.464		Potentiometer CT
8	16.00.387		Mounting device f.sealing + sealing lip
9	1306.0218		Washer A4,3
10	5110.1029		Gasket mode switch
11	5110.1027		Distance plate for front panel



Item no.	Part no	Reference	Description
A		►2.A	Contactor assembly
1	4007.0620		Membrane DGC 29
3	40.00.453		Solid state relais
4	10.00.507		Pan head screw Torx 5/16" T20
6	1106.0224		Hex nut M6 self locking
7	10.00.065		Countersunk screw Torx T20 M4x12
9	42.00.007		External memory
10	10.00.510		Grommet 10/12/16-2
11	1104.0801		Cage nut M4
12	10.00.243		Spacer M4x8
13	1104.0120		Hex nut M4
14	10.00.112		Cable clip short
15	10.00.111		Cable clip long
16	10.00.471		Cable clip d10-12mm
17	40.00.338		Sicotronic-terminal *screw typ*
18	4007.0632		Screwed cable gland M63x1.5(34-45mm)si.gr
19	40.01.356		Fixing device f. cable guide
20	1106.0160		Hex nut M6
21	1206.0120		Tooth lock washer A6,4
22	40.01.132		Center fixation f. contactor assembly
23	40.00.471		Bus cable 0.8m
23	40.00.472		Bus cable 1.3m
25	4007.0635		Fixing nut for cable gland M63
26	1104.0400		Rivet nut M4



Item no.	Part no	Reference	Description
1	40.01.329		Dry up protector 160°
2	3014.0302		Hex nut M10 for dry-up protector
3	40.01.482		Safety temperature limiter 365°C
4	3014.0327		Hex nut M10x1,0
5	40.01.558		Contactor CL07A300M6-M
6	40.00.474		Cooling fan D.C.
7	10.00.238		Screw Torx 4x50
9	40.00.277		Control transformer
10	40.00.465		Electronic noise filter
11	4001.0224		Fuse 6.35x32mm
13	4001.1295		Fuse holder e 1003Si/1DS
14	10.00.365		Pan head screw Torx M3x20
18	4001.1233		Terminal block yellow/green 35mm ²
19	4001.1252		Terminal block, blue 35 mm ²
20	4001.1206		Terminal block 35mm ² grey
23	4007.0620		Membrane DGC 29
24	10.00.510		Grommet 10/12/16-2
25	40.00.592		Transformer f. cooling fan
26	1105.0120		Hex nut M5
27	1305.0160		Washer A5,3x10mm
28	4001.1203		End plate for mounting rail
29	10.00.061		Pan head screw Torx T20 M4x12
30	2620.370233		Installation rail for Contactor 100mm
30	2816.1307		Installation rail for Contactor 140mm
31	10.00.111		Cable clip long
32	40.00.239		Cable contactor-SSR
32	40.00.241		Cable control harness
32	40.00.235		Cable control SSR
32	40.00.205		Cable level electrode
32	40.00.219		Cable SC pump



CM 202E

Valid as of E22MF0602 up to E22MF....

Electrical unit

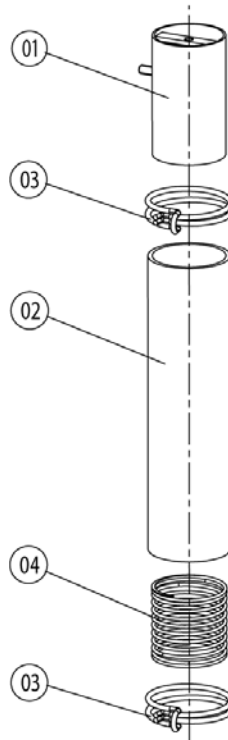
▶ 2.A Contactor assembly

2

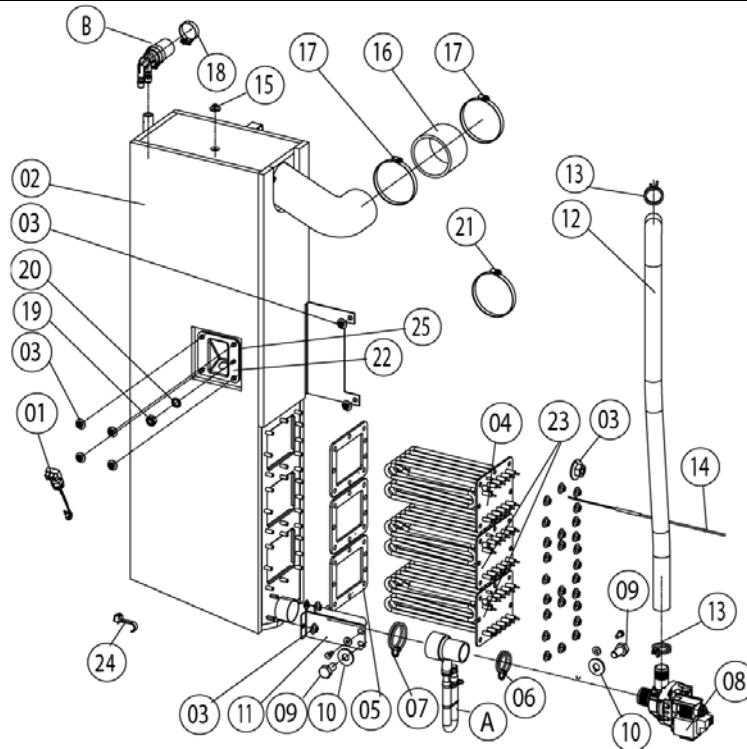
2 Electrical installation

Voltage 3 NAC 400V 50-60Hz

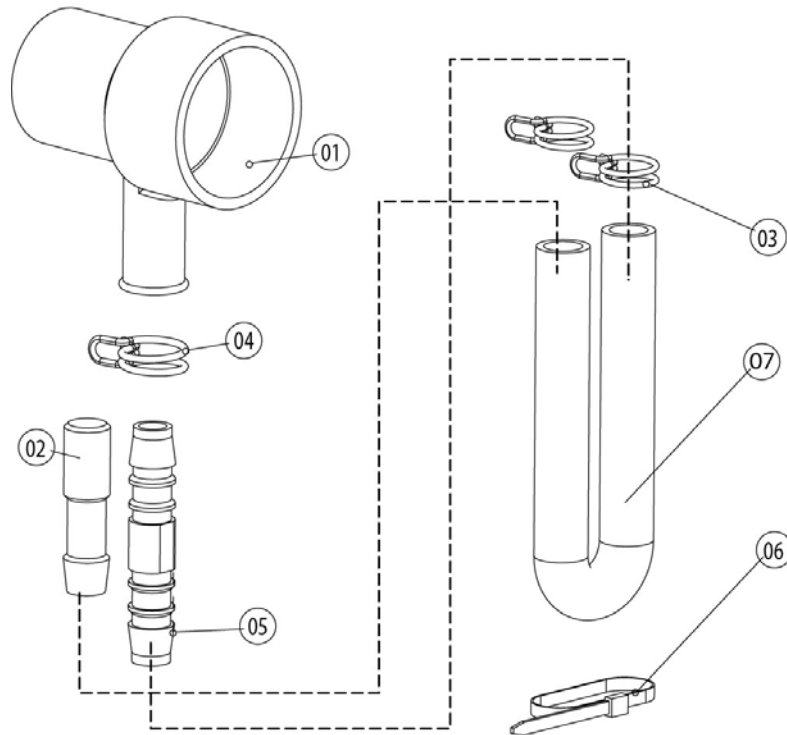
Item no.	Part no	Reference	Description
32	40.00.220		Cable solenoid valve



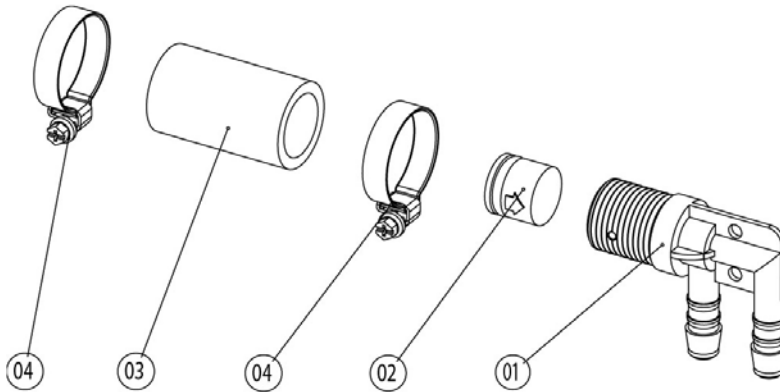
Item no.	Part no	Reference	Description
1	22.00.324		Safety valve
2	22.00.214		Hose d50x202
3	2066.0531		Hose clamp ø56
4	2001.0124		Compression spring



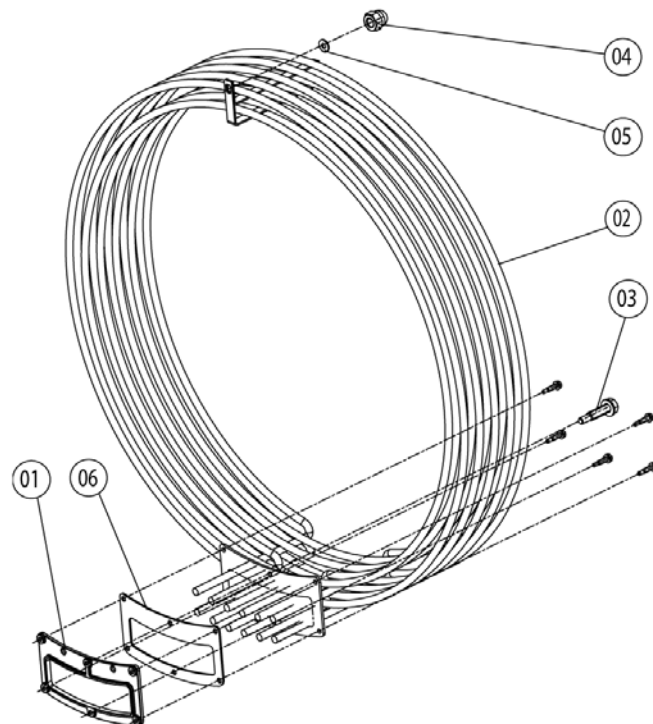
Item no.	Part no	Reference	Description
A	8354.1320	►4.A	Pump connection spout cpl.
B	8354.1304	►4.B	Venting valve for steam generator
1	3002.0402		Filling level electrode 90 mm
2	44.00.175		Steam generator insolated
3	1106.0803		Hex combination nut M6 galv
4	44.00.195		Heating element
5	44.00.279		Gasket f. heating element
6	2066.0519		Hose clamp 35,6mm
7	2066.0526		Hose clamp \varnothing 46mm
8	44.00.207		Emptying pump
9	1006.0762		Hex screw M6x10
10	1306.0222		Washer A6,4x15x1,5
11	44.00.232		Fixing device f. pump steam generator
12	44.00.242		Drain hose steam generator
13	2066.0518		Hose clamp 30mm
14	40.00.291		Thermocouple steam generator
15	1104.0122		Hex combination nut M4 galv
16	44.00.362		Steam hose 70x5
17	2066.0505		Hose clamp 70-90mm
18	2066.0506		Hose clamp 20-32mm
19	1105.0120		Hex nut M5
20	1205.0120		Tooth lock washer A5,3
22	2920.1300		Level elektrode insert
23	44.00.533		Heating element w/o pipe
24	10.00.414		Cable strap black 120°
25	44.00.280		Gasket f. heating element+Level elektrode insert



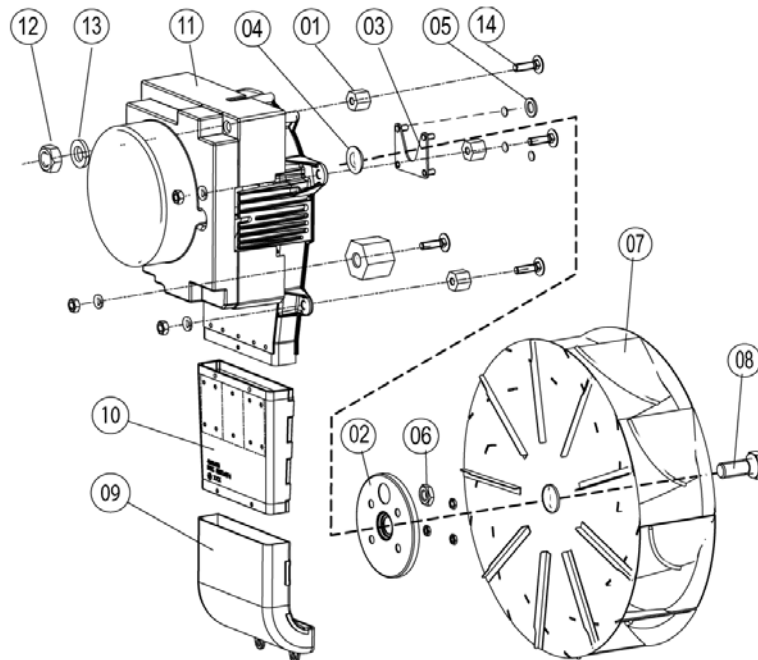
Item no.	Part no	Reference	Description
1	2118.1000		Pump connection spout
2	2120.1259		Stop plug 10mm
3	2066.0527		Hose clamp ø14mm
4	2066.0530		Hose clamp ø16.4mm
5	2062.0331		Junction pressure hose GS 10
6	4005.0101		Tie rap 145 mm



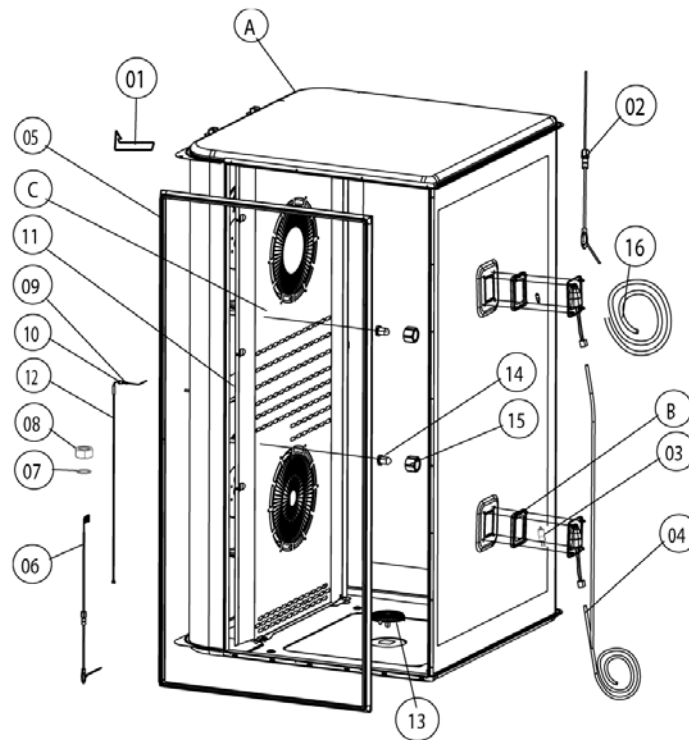
Item no.	Part no	Reference	Description
1	2062.0332		Receptacle for ventilation valve SG
2	2069.0108		Ventilation valve
3	2112.1310		Form hose for ventilation of steam generator
4	2066.0506		Hose clamp 20-32mm



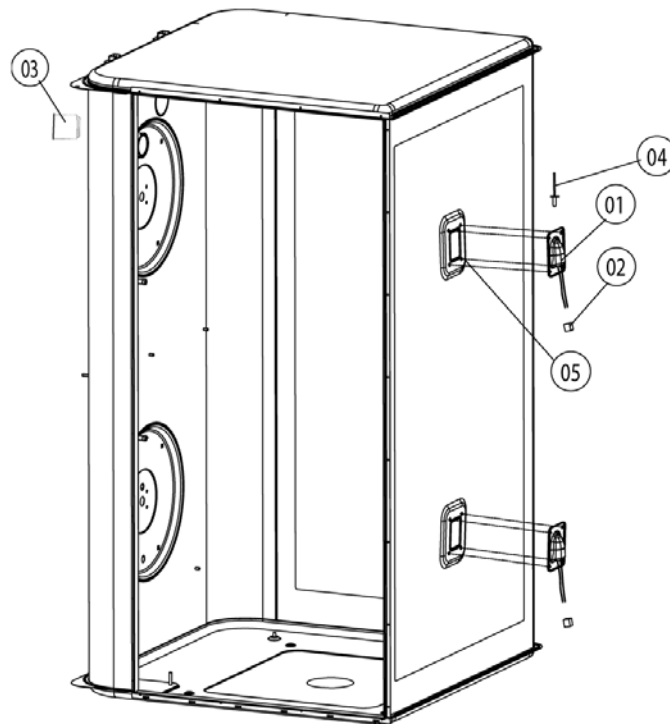
Item no.	Part no	Reference	Description
1	40.00.330		Mating flange f. heating assembly
2	40.00.267		Heating assembly
3	10.00.109		Hex screw M5x23
4	1106.0360		Cap nut M6, high shape
5	1306.0222		Washer A6,4x15x1,5
6	40.00.331		Gasket f. heating assembly



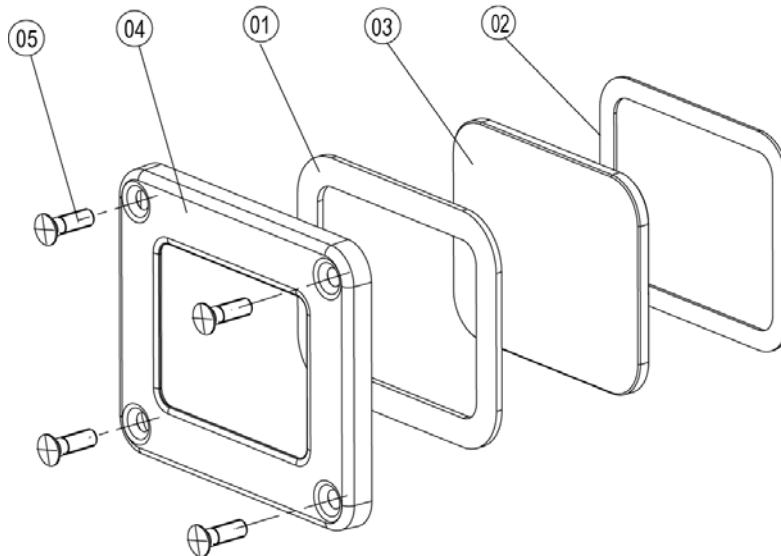
Item no.	Part no	Reference	Description
1	2120.1306		Spacer SW19x17
2	22.00.123		Flange f. motor shaft gasket
3	22.00.120		Mounting support f. gasket flange
4	22.00.083		Motor shaft gasket
4	5001.0207		Motor shaft gasket
5	1315.0101		Copper washer 6x10
6	1106.0220		Hex nut M6 flat
7	22.00.192		Fan wheel d340x135
8	1008.0763		Hex screw M8x20
8	10.00.565		Hex screw M8x20
10	40.00.435		Exhaust channel f. SSR
11	40.00.274		Fan motor
12	10.00.071		Hex nut M8
12	1108.0260		Hex nut M8
12	10.00.710		Hex nut M8 w. locking
13	1208.0260		Spring washer B8
14	1008.1005		Square necked mushroom head bolt 8x40



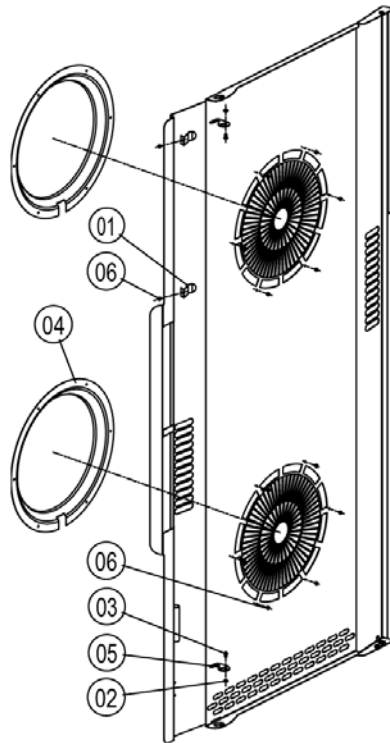
Item no.	Part no	Reference	Description
A		►7.A	Interior cabinet welded
B	40.00.091	►7.B	Gasket frame w. glass a. gaskets
C	22.00.462	►7.C	Air baffle
C	22.00.298	►7.C	Air baffle
1	40.00.520		Screen interior cabinet sensor
3	3024.0201		Halogen bulb for interior cabinet 300°C
4	40.00.229		Wiring interior light
5	20.00.399		Door gasket
6	40.00.298		Meat probe sensor
6	40.01.943		Meat probe sensor
6	40.02.103		Meat probe sensor
7	1315.0104		Copper washer 16x20x1,5
8	10.00.422		Hex nut M16
9	3014.0162		Sealing cone for thermocouple
10	3014.0163		Gasket sleeve with nipple
11	22.00.222		Air baffle support
12	40.00.594		Thermocouple interior cabinet B1
13	2005.0308		Outlet sieve



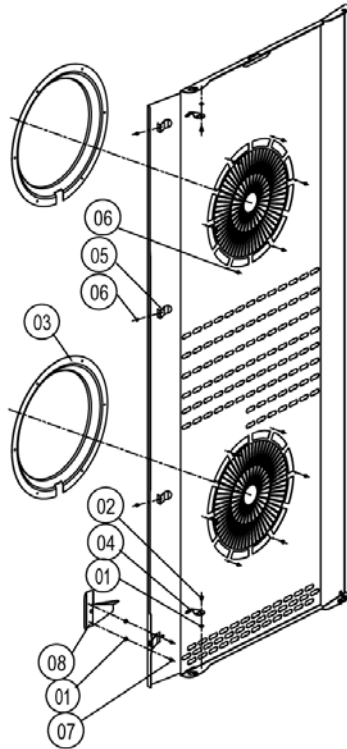
Item no.	Part no	Reference	Description
1	40.00.098		Reflector f. interior light
2	4001.1248		Porcelain connector 2-pin interior light
3	2120.1277		Base for sensor connection
4	1603.0167		Tubular rivet 3,2x0.25x10
5	10.00.041		Rivet nut M5 hexagon closed



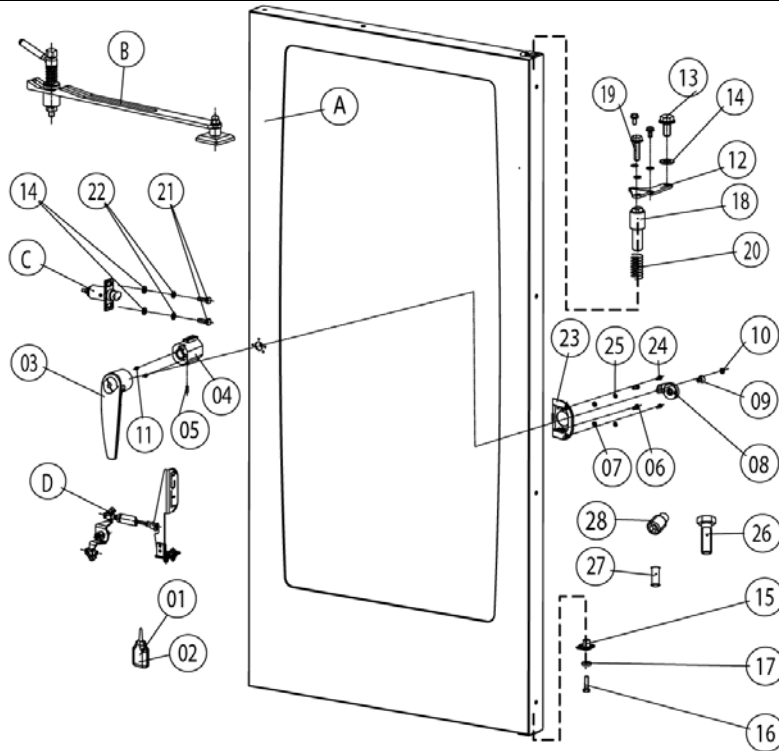
Item no.	Part no	Reference	Description
1	40.00.093		Outer gasket f. interior light
2	40.00.094		Inner gasket f. interior light
3	40.00.095		Glass pane f. interior light
4	40.00.096		Gasket frame f. interior light
5	10.00.682		Phillips countersunk-head screw M5x16



Item no.	Part no	Reference	Description
1	40.01.289		Fixing clip core temp. cable
2	1304.0160		Washer A4,3
3	1604.0167		Rivet 4x10
4	22.00.332		Air sucking ring f. air baffle
5	2760.1370		Latch hook for air baffle
6	10.00.515		Rivet 3,2x5 A4



Item no.	Part no	Reference	Description
1	1304.0160		Washer A4,3
2	1604.0167		Rivet 4x10
3	22.00.332		Air sucking ring f. air baffle
4	2760.1370		Latch hook for air baffle
5	40.01.289		Fixing clip core temp. cable
6	10.00.515		Rivet 3,2x5 A4
6	1603.0166		Rivet 3,2x7,9 CNS closed
7	1603.0168		Rivet 3,2x8 A4
8	22.00.440		Guard plate f. core sensor



Item no.	Part no	Reference	Description
A	24.00.126	►8.A	Door
C	8514.1307	►8.C	Door catch
1	2001.0042		Loctite 243 10 ml
2	2001.0046		Loctite 272
3	24.00.136		Door handle
4	8474.1410		Door lock
5	1005.1901		Straight pin $\varnothing 5,6 \times 16$
6	1006.0761		Hex screw M6x12
6	10.00.698		Hex screw M6x12 w. precoat 85
7	1206.0261		Spring washer B6
8	2940.1305		Door bolt
9	1008.1963		Hex socket countersunk head screw M8x16
10	2039.0309		Cover cap for door
11	1004.0665		Allen screw M4x6
11	10.00.696		Allen screw M4x6 w. Precoat 85
12	24.00.133		Door mounting support top
13	1008.0768		Ornamental screw M8x16
14	1308.0160		Washer A8,4
15	24.00.145		Door bolt
16	1008.0766		Hex screw M8x30
17	1308.0162		Washer A8,4
18	24.00.048		Door bolt
19	1008.0769		Ornamental screw M8x30
20	2001.0109		Compression spring
21	1008.0761		Hex screw M8x25
22	1208.0260		Spring washer B8
23	24.00.216		Mounting bracket f. door lock
24	1008.0752		Hex screw M5x10
24	10.00.697		Hex screw M5x10 w. precoat 85
25	1305.0160		Washer A5,3x10mm



CM 202E

Valid as of E22MF0602 up to E22MF....

Electrical unit

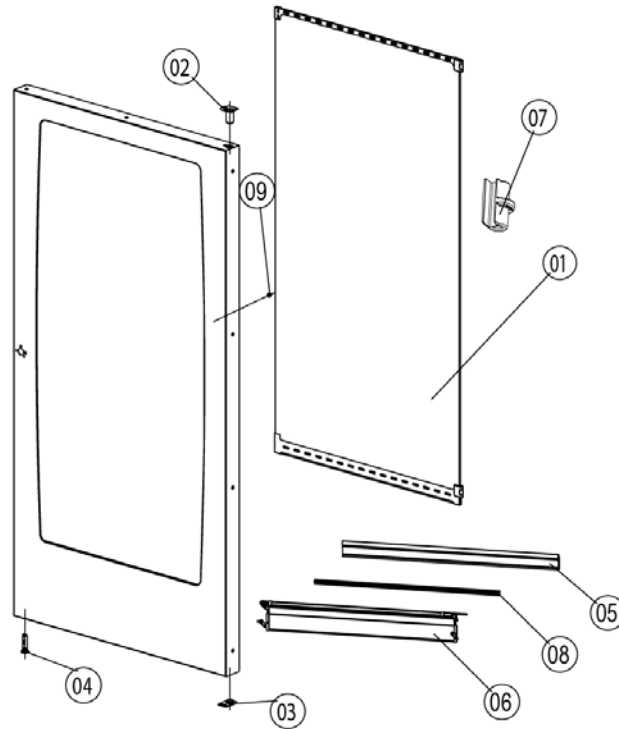
▶ **8 Door**

8

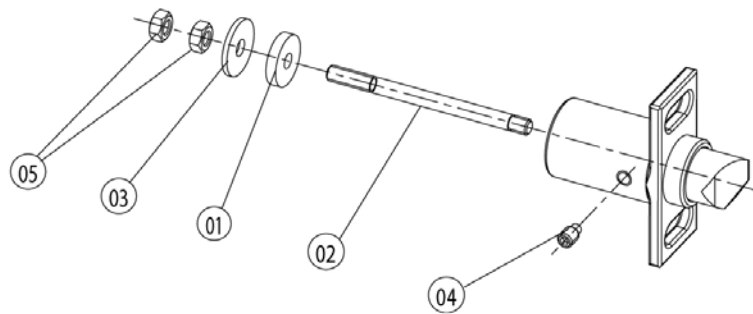
8 Door

Voltage **3 NAC 400V 50-60Hz**

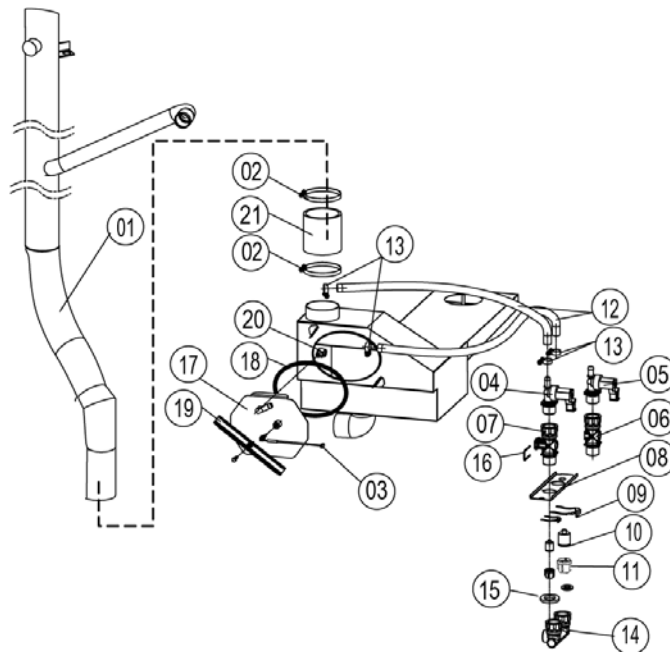
Item no.	Part no	Reference	Description
27	1005.1903		Straight pin ø5,6x12
28	1004.0906		Hex socket set screw M4x8



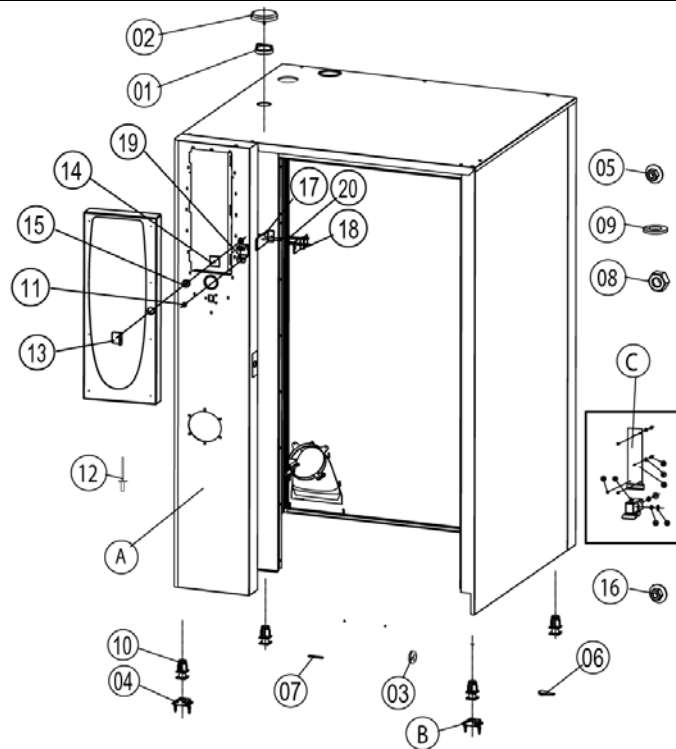
Item no.	Part no	Reference	Description
1	24.00.212		Inner glass pane
2	24.00.147		Sleeve for door bolt top
3	24.00.159		Door setting bolt
4	24.00.503		Fixing device f. magnet with magnet
5	24.00.194		Gasket glass pane/trolley
6	24.00.178		Pre heat mechanism f. door cpl.
7	24.00.507		Fixing device middle f.inter. glass pane
8	24.00.701		Additional gasket f. trolley
9	24.01.259		Plastic buffer 8,1mm



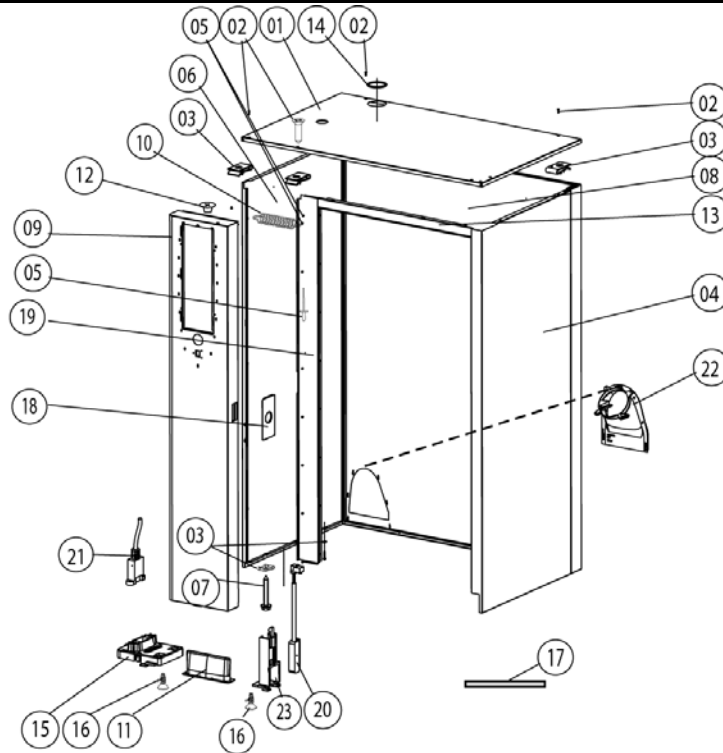
Item no.	Part no	Reference	Description
1	5012.0711		Silicone plate for door
2	1006.1000		Stud bolt M6x75
3	1306.0550		Washer A6,6
4	1004.0904		Hex socket set screw M6x10
5	1106.0160		Hex nut M6
6	2001.0119		Compression spring f. door catch
7	1006.0625		Allen screw M6x70



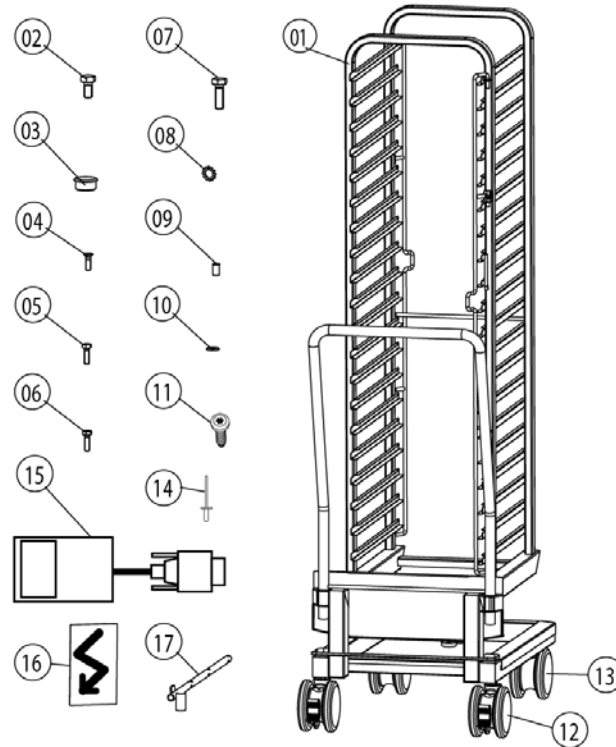
Item no.	Part no	Reference	Description
1	54.00.210		Exhaust pipe
2	2066.0516		Hose clamp 60-80 mm
3	40.00.398		Thermocouple quenching
4	50.00.316		Single solenoid valve
5	50.00.139		Single solenoid valve
6	50.00.073		Water distribution vert w/o roll guide con.
8	50.00.277		Mounting device f. water distribution
9	50.00.086		Locking plate f. water distribution
10	50.00.078		Non return valve DW16/DN12
11	1900.0202		Water filter
12	2067.0050		Pressure hose d10mm
13	2066.0205		Hose clamp 8-16x9 mm SW 7mm
14	8664.1301		T-fitting water connection
15	5110.1024		Gasket for G3/4" threaded joint
17	54.00.237		Inspection lid f. quenching chamber
18	5012.0566		Gasket quenching chamber O-ring
19	54.00.225		Clamping bar
20	2016.0943		Quenching nozzle
21	2112.1307		Hose 70x5mm



Item no.	Part no	Reference	Description
A		►13.A	Exterior cabinet
1	8450.1310		Spacer ring
1	22.00.354		Spacer ring
2	8455.1209		Vent cover
2	22.00.353		Vent cover
3	2022.0101		Grommet 18 mm
4	8700.0317		Floor fixing for units
6	5006.0213		Glue for floor fixing brackets
10	2039.0111		Foot adjustable, metal, 40 x 40



Item no.	Part no	Reference	Description
1	16.00.332		Top cover
2	1003.2265		Countersunk self tapping screw 4,2x16
3	1104.0820		Snap nut 4,2mm
4	16.00.158		Side panel right
5	1603.0166		Rivet 3,2x7,9 CNS closed
6	16.00.139		Side panel left
7	10.00.102		Hex self tapping screw B4,2x32
8	16.00.198		Back panel
9	16.00.373		Front panel
10	2002.0107		Tension spring for front panel
11	16.00.673		Air inlet filter
12	2039.0331		Cap for service door
13	16.00.331		Crossbar top
14	5105.1028		Gasket f. breather tube d=74mm
15	16.00.360		Cover f. RS232 interface
16	10.00.103		EJOT PT-screw KA 3.5x10
17	16.00.338		Edge protection profile
18	16.00.115		Rosette
19	16.00.358		Crossbar front panel
20	40.00.454		Door switch 1.65m
22	40.00.476		Exhaust channel
23	16.00.384		Bracket for door contact switch



Item no.	Part no	Reference	Description
2	1008.0760		Hex screw M8x16
3	10.00.357		Rubber plug black
4	10.00.448		Phillips countersunk-head screw M5x16
5	1008.0750		Hex screw M5x16
8	1208.0160		Tooth lock washer A8,4
10	1306.0120		Washer A6,4
11	10.00.444		Raised countersunk head screw Torx M4x8
12	60.60.100		Castor with brake \varnothing 125mm
13	60.60.101		Castor without brake \varnothing 125mm
14	1603.0162		Rivet 3,2x9
15	42.00.030		Memory-Stick
16	4019.0008		Sticker Electric/Danger
17	60.60.574		Positioning support f. core sensor