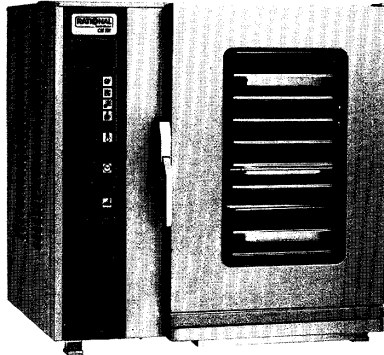


RATIONAL Spare Parts List



RATIONAL
Combi-Master CM 101

Important:

Please use only
Original **RATIONAL** Spare Parts.
When ordering Spare Parts
please do always indicate:

- **Unit Number**
- **Spare Part Number**
- **Spare Part Description**

Note:

We reserve ourselves the right to
execute technical modifications which
serve the improvement of the product and
the technical progress without giving
advanced notice.

Control Panel

Electrical Installation

**Core Temperature /
Meat Probe**

Steam Generator

Hot Air Heating

Motor and Fan Wheel

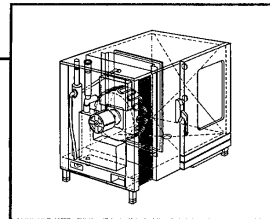
Interior Cabinet

Door

Bottom (Top elevation)

Bottom (Lower elevation)

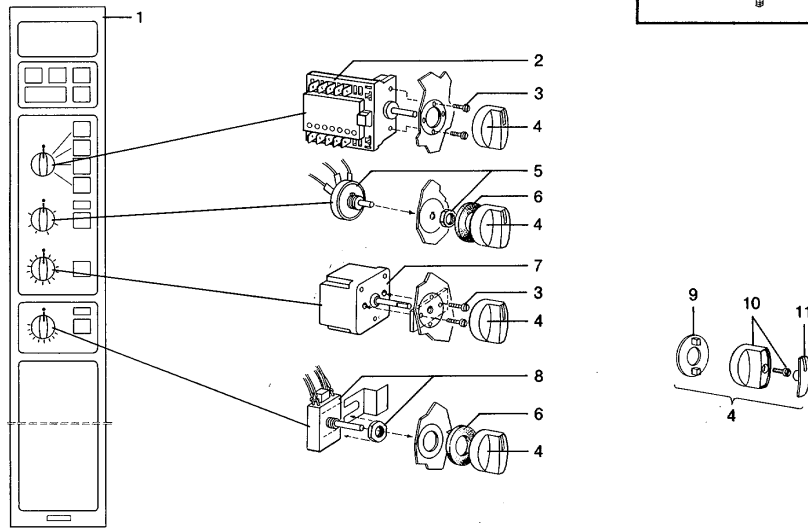
Miscellaneous



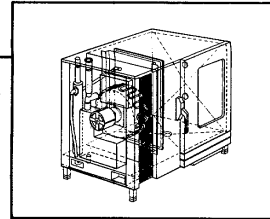
1

Control Panel

Component Group	Page	Edition	applicable from Serial No.
1	1.1	1.1.1	11M 86 03 1003

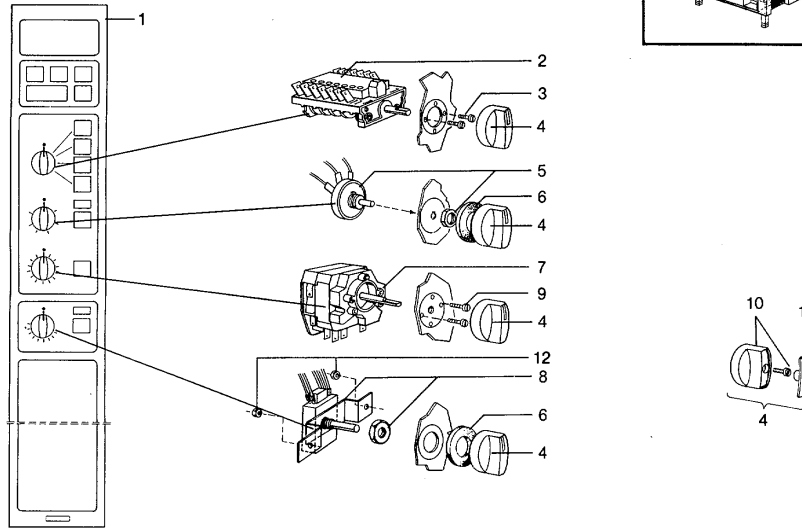


Pos.	Pcs.	Sp.	Part No.	Description	Sign
1	1		2049.0561	control panel	
2	1		3016.1631	mode switch block	S1
3	4		1004.0061	slotted pan head screw M 4 x 8	
4	4		3013.0325	dial complete	
5	1		3040.0150	potentiometer hot air/combi/vario	R1
6	2		5012.0530	gasket	
7	1		3013.0109	timer 120 min	S2
8	1		3040.0151	potentiometer core temperature (incl. on/off)	S4,R2
9	4		3013.0321	nut-cover	
10	4		3013.0320	knob	
11	4		3013.0322	knob-cover	

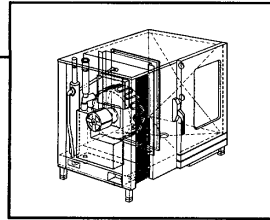


Control Panel

Component Group	Page	Edition	applicable from Serial No.
1	1.1	1.1.2	11M 87 11 1379

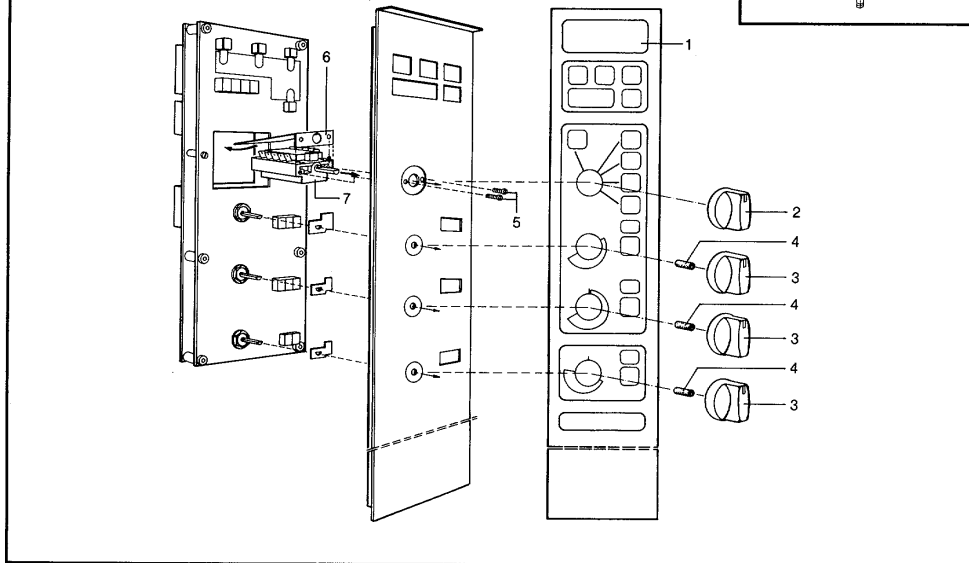


Pos.	Pcs.	Sp.	Part No.	Description	Sign
1	1		2049.0611	control panel	
2	1		3016.1631	mode switch block	S1
3	2		1004.0061	slotted pan head screw M 4x8	
4	4		3013.0329	dial complete	
5	1		3040.0150	potentiometer hot air/combi/vario	R1
6	2		5012.0530	gasket	
7	1		3013.0101	timer 120 min	S2
8	1		3040.0151	potentiometer core temperature (incl. on/off)	S4,R2
9	4		1003.0224	cylinder sheet screw	
10	4		3013.0326	dial	
11	4		3013.0328	dial-cover	
12	2		1106.0801	hex combi nut	



Control Panel

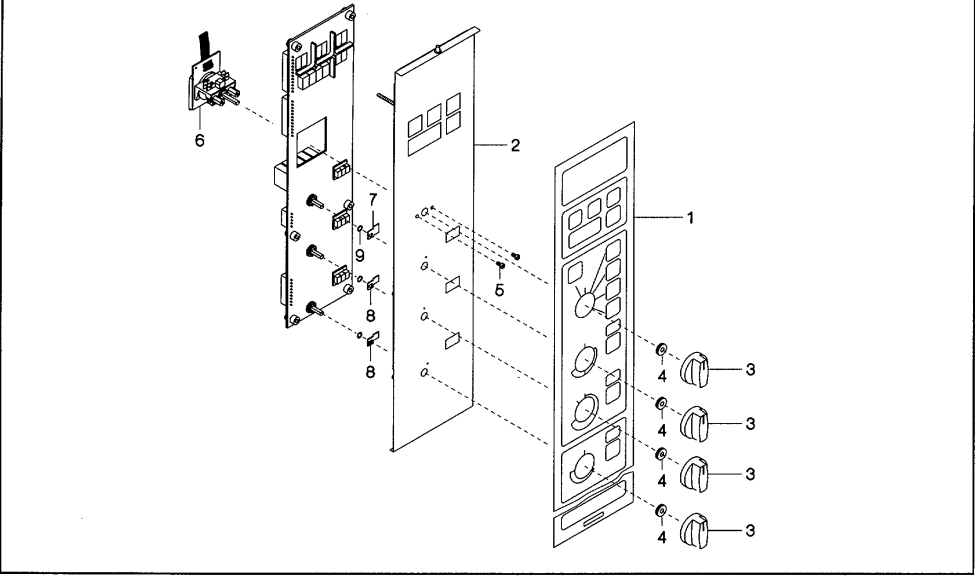
Component Group	Page	Edition	applicable from Serial No.
1	1.1	1.1.3	11M 89 04 1210



Pos.	Pcs.	Sp.	Part No.	Description	Sign
1	1		2049.0713	control panel	
2	1		3013.0330	dial for mode switch block	
3	3		3013.0331	dial for poti	
4	3		2022.0104	bushing	
5	2		1004.0061	slotted pan head screw M 4x8	
6	1		2510.390772	insulation paper	
7	1		3016.1631	mode switch block	

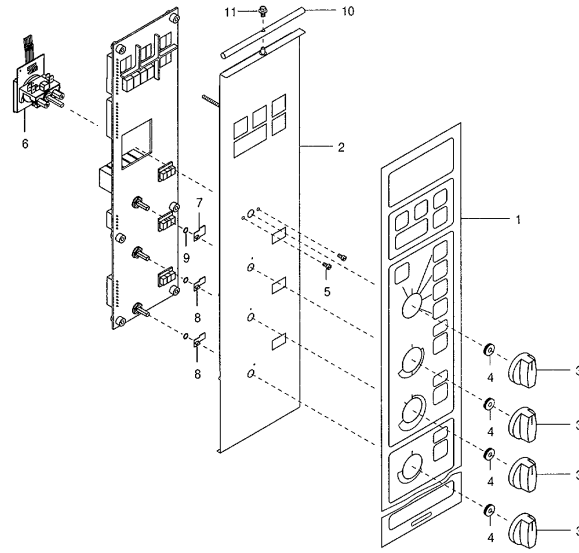
Control Panel

Voltage	Group	Page	Edition	Application from Serial. No.
3 N AC 380V 50Hz	1	1.1	1.1.4	11M91042001



Pos.	Pcs.	Sp. Part No.	Description	Sign.
1	1	2049.0821	control panel	
2	1	8600.01010489	front panel	
3	4	3013.0330	dial	
4	3	2022.0104	grommet	
5	2	1004.0061	slotted pan head screw M4x8	
6	1	3016.1631	mode switch block	S1
7	1	2510.530746	stop for poti hot air	
8	2	2510.520731	stop for poti core temp./timer	
9	3	1315.0101	copper washer	

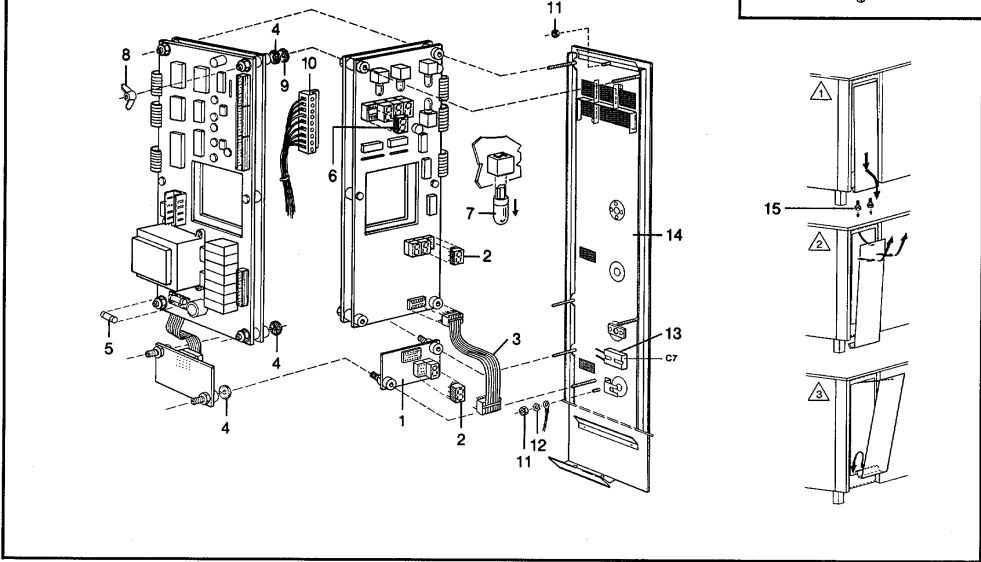
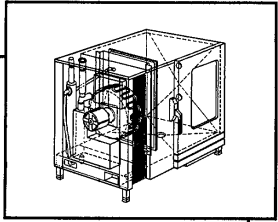
Bedienblende Control Panel	Spannung Voltage	Baugruppe Group	Ausgabe Edition	gültig ab Seriennummer Applicable from Serial.No.
	3 N AC 400V 50Hz	1	1.1.5	11M96011001



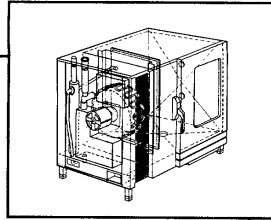
Pos.	St.	Ersatz.Nr.	Bezeichnung	Description
Pos.	Pcs.	Sp. Part No.		
1	1	2049.0821	Blende	Control panel
2	1	8600.01010489	Frontplatte geschweißt	Front panel welded
3	4	3013.0330	Knebel blau Typ CM ab 04/89	Dial blue type CM
4	4	2022.0104	Durchführungstülle 16 mm	Grommet 16mm
5	2	1004.0061	Zylinderschraube mit Schlitz M4x8	Slotted pan head srew M4x8
6	1	3016.1631	Betriebsartenschalter CM	Mode switch block CM
7	1	2510.530746	Arretierung für Poti HeiBluft	Stop for potentiometer hot air
8	2	2510.520731	Arretierung für Poti KT und Uhr	Stop for potentiometer CT and timer
9	3	1315.0101	Kupferdichtung 6x10	Copper washer 6x10 mm
10	1	5012.0556	Dichtung für Bedienblende	Front panel gasket
11	1	1005.2000	Sperrzahnschraube M5x8	Interlocking tooth screw M5x8

Control Panel

Component Group	Page	Edition	applicable from Serial No.
1	1.2	1.2.1	11M 86 03 1003

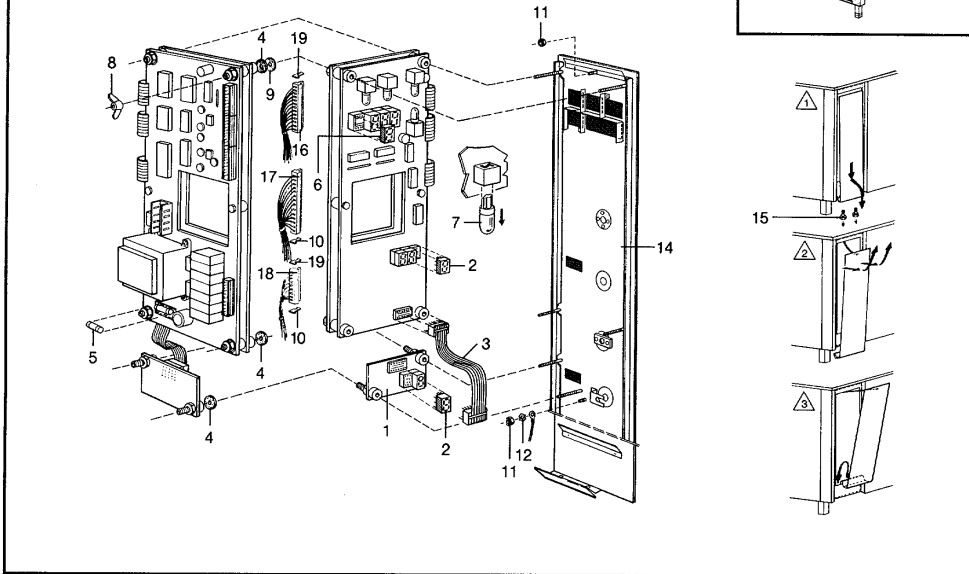


Pos.	Pcs.	Sp.	Part No.	Description	Sign
-	1		3040.0100	PCB – complete (pos. 1 – 7)	
1	1		3040.0152	PCB – core temperature (pos. 2, 3, 4)	
2	5		3040.0170	LED-display	
3	1		3040.0161	flat cable	
4	6		3040.0180	spacer	
5	1		3019.0110	fuse 0,1 A	F4
6	4		3040.0171	LED-display	
7	4		3024.0210	bulb	
8	6		1104.0500	wing-nut	
9	2		2022.0100	gasket	
10	4		3040.0160	multipoint connector	
11	2		1106.0160	hex nut M 6	
12	1		1206.0120	toothed lock washer A 6,4	
13	1		3035.0508	RC-link	C7
14	1		8600.0101	front panel	
15	2		1004.2160	hex head tapping screw B 4,2	

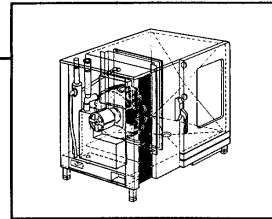


Control Panel

Component Group	Page	Edition	applicable from Serial No.
1	1.2	1.2.2	11M 87 11 1379

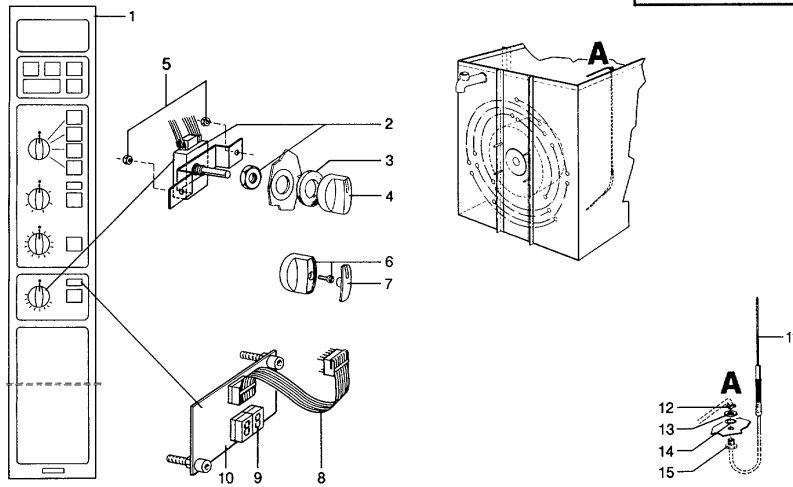


Pos.	Pcs.	Sp.	Part No.	Description	Sign
-	1		3040.0100	PCB – complete (pos. 1 – 7)	
1	1		3040.0152	PCB – core temperature (pos. 2, 3, 4)	
2	5		3040.0170	LED-display	
3	1		3040.0161	flat cable	
4	6		3040.0180	gasket	
5	1		3019.0111	fuse 0,25 A	F4
6	4		3040.0171	LED-display	
7	4		3024.0210	bulb	
8	6		1104.0500	wing-nut M4	
9	2		2022.0100	gasket	
10	2		3040.0164	clip for multipoint connector right	
11	2		1106.0160	hex nut M6	
12	1		1206.0120	toothed lock washer A6,4	
14	1		8600.0101	front panel	
15	2		1004.2160	hex head tapping screw B4,2	
16	1		3040.0162	multipoint connector BL13	
17	1		3040.0163	multipoint connector BL14	
18	1		3040.0160	multipoint connector BL9	
19	2		3040.0191	clip for multipoint connector left	

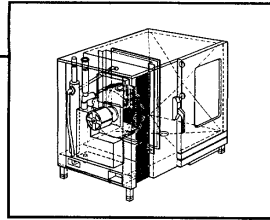


Core Temperature / Meat Probe

Component Group	Page	Edition	applicable from Serial No.
3	3.1	3.1.2	11M 87111379

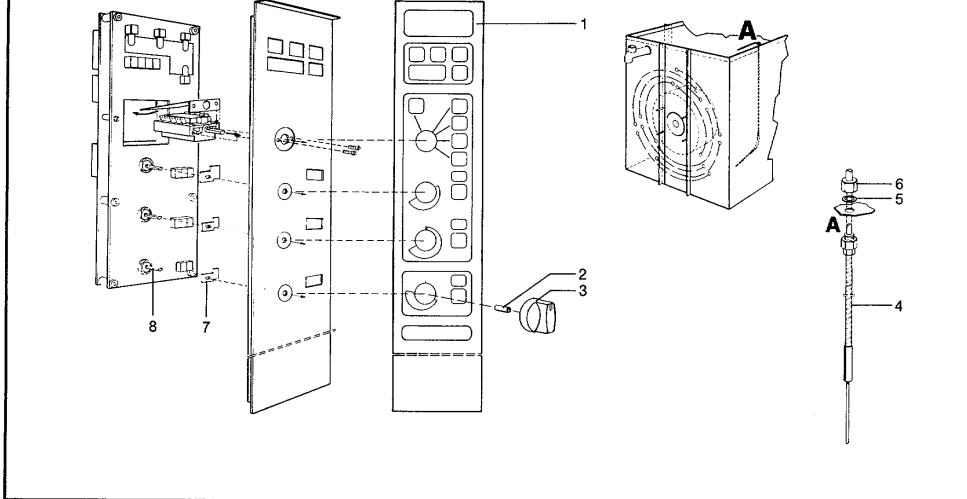


Pos.	Pcs.	Sp.	Part No.	Description	Sign
1	1		2049.0561	control panel	
2	1		3040.0151	potentiometer core temperature (incl. on/off)	S4,R2
3	1		5012.0530	gasket	
4	1		3013.0329	dial complete	
5	1		1106.0801	hex combi nut	
6	1		3013.0326	dial	
7	1		3013.0328	dial-cover	
8	1		3040.0161	flat cable	
9	2		3040.0170	LED-display	
10	1		3040.0152	PCB – core temperature (pos. 8,9,10)	
11	1		3035.0703	meat probe sensor	E4
12	1		2066.0508	hose clamp	
13	1		3014.0306	hex nut for stuffing box	
14	1		3035.0606	copper washer	
15	1		3014.0307	stuffing box	



Core Temperature / Meat Probe

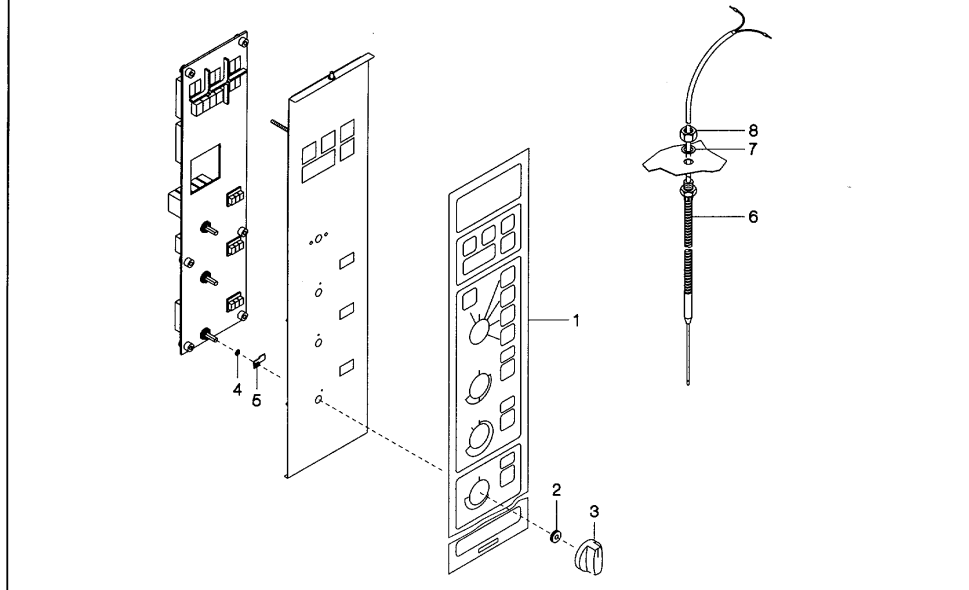
Component Group	Page	Edition	applicable from Serial No.
3	3.1	3.1.3	11M 89 04 1210



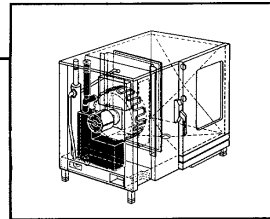
Pos.	Pcs.	Sp.	Part No.	Description	Sign
1	1		2049.0713	control panel	
2	1		2022.0104	bushing	
3	1		3013.0331	dial	
4	1		3035.0703	meat probe sensor	B4
5	1		3035.0606	copper washer	
6	1		1112.0160	hex nut M12	
7	1		2510.520731	stop for poti core temp./timer	
8	1		3040.0183	poti for core temp.	Koch
8	1		3040.0190	poti plug core temp.	Koch
8	1		3040.0186	poti for core temp.	EGO

Core Temperature / Meat Probe

Voltage	Group	Page	Edition	Application from Serial. No.
3 N AC 380V 50Hz	3	3.1	3.1.4	11M91042001

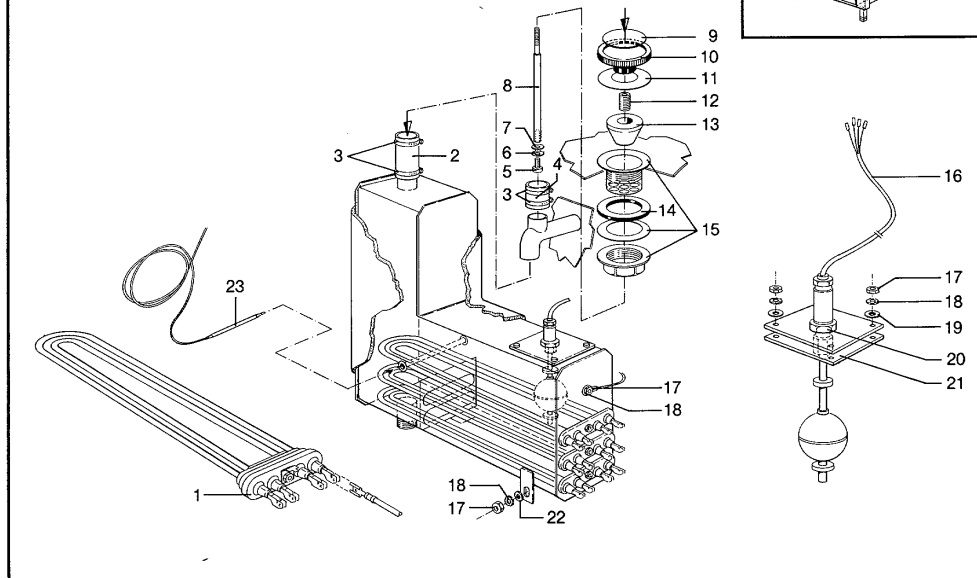


Pos.	Pcs.	Sp.	Part No.	Description	Sign.
1	1		2049.0821	control panel	
2	1		2022.0104	grommet	
3	1		3013.0330	dial	
4	1		1315.0101	copper washer	
5	1		2510.520731	stop for poti	
6	1		3035.0703	core temperature sensor core temperature	E1
7	1		3035.0606	copper washer	
8	1		1112.0160	hex nut M12	



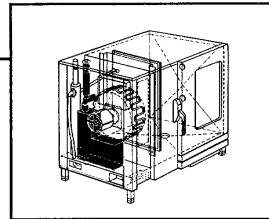
Steam Generator

Component Group	Page	Edition	applicable from Serial No.
4	4.1	4.1.1	11M 86 03 1003



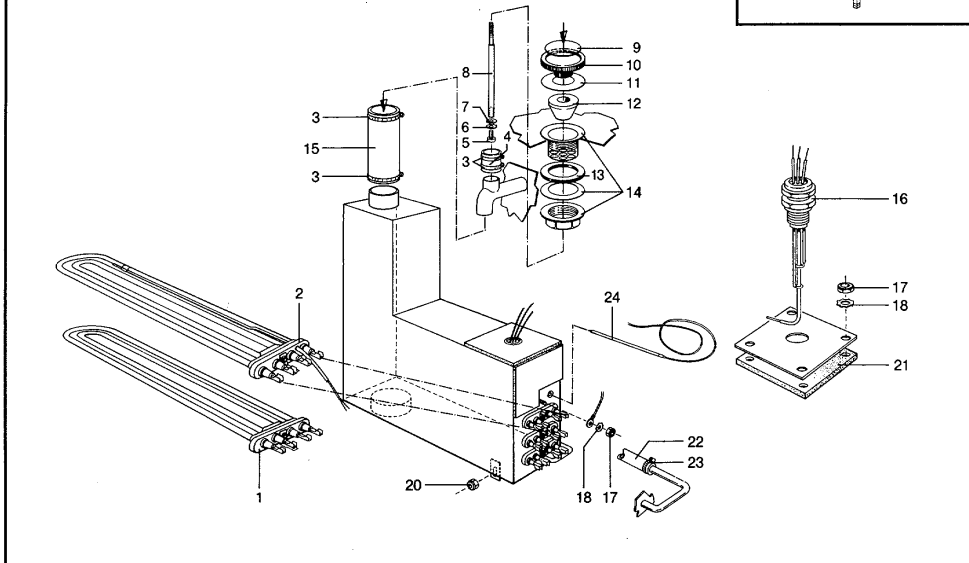
4

Pos.	Pcs.	Sp.	Part No.	Description	Sign
-	1		8300.0003	steam generator complete	
-	1		8404.4000	safety valve complete (pos. 5 - 15)	
1	3		3004.3405	heating element 2x3 kW	
2	1		2067.0202	steam hose 150 mm long	
3	4		2066.0504	hose clamp 40-60 mm	
4	1		2067.0201	steam hose 50 mm long	
5	1		1005.0660	hex socket head screw M 5x12	
6	1		1205.0360	spring washer	
7	1		1305.0260	washer A 5,3	
8	1		2026.0400	guide bar	
9	1		2049.0800	cover plate aluminium	
10	1		2020.0300	plastic handle for safety valve	
11	1		5012.0526	gasket	
12	1		2026.0300	thread insert	
13	1		2026.0200	cone for safety valve	
14	1		5012.0527	gasket	
15	1		2064.0100	valve body	
16	1		3016.1201	level switch	S5
17	6		1106.0160	hex nut M6	
18	6		1206.0120	toothed lock washer A 6,4	
19	4		1306.0120	washer A 6,4	
20	1		2040.0101	hex nut G 3/8"	
21	1		5012.0528	gasket	
22	1		1306.0221	washer A 6,4	
23	1		3014.0150	sensor	B3
				steam generator	



Steam Generator

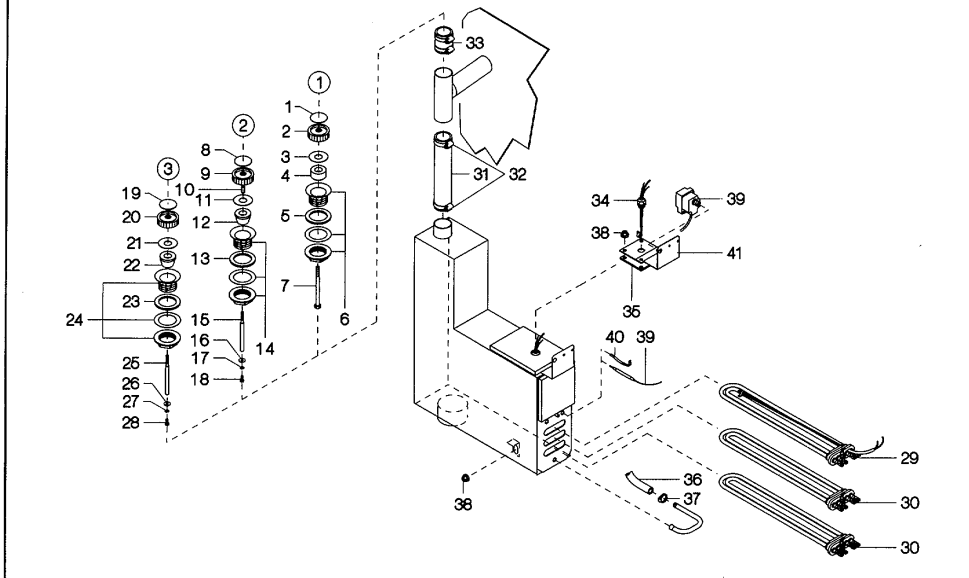
Component Group	Page	Edition	applicable from Serial No.
4	4.1	4.1.2	11M 8910 4001



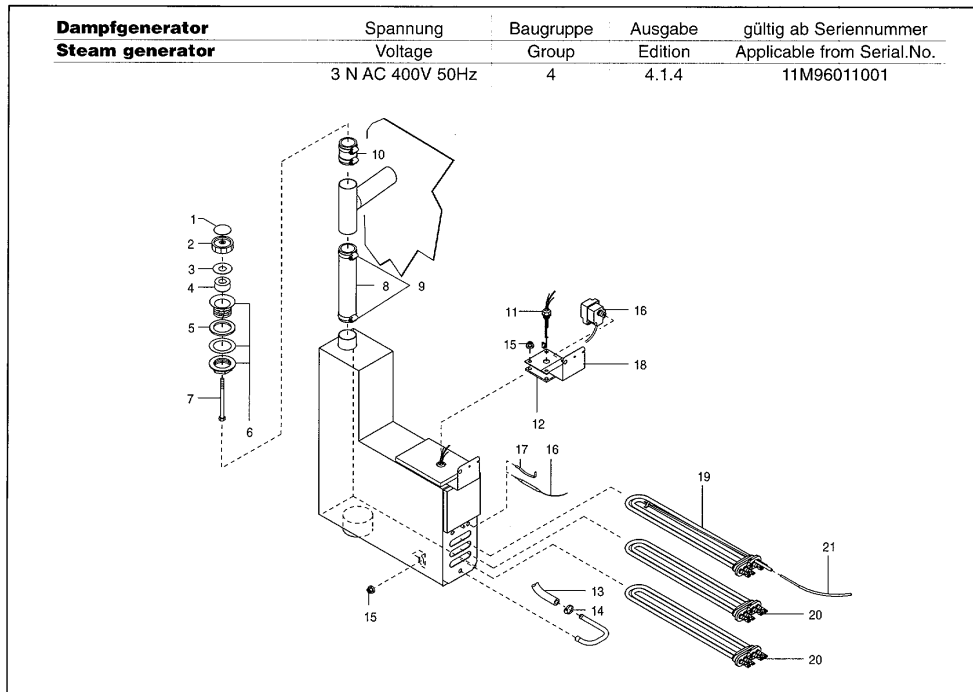
Pos.	Pcs.	Sp.	Part No.	Description	Sign
-	1		8300.0071	steam generator complete	
-	1		8404.4000	safety valve complete (pos. 5-14)	
1	2		3004.3405	heating element 2x3 KW	
2	1		3004.3407	heating element 2x3 KW with thermocouple	
3	4		2066.0504	hose clamp 40-60 mm	
4	1		2067.0201	steam hose 50 mm long	
5	1		1005.0660	hex socket head screw M 5x12	
6	1		1205.0360	spring washer	
7	1		1305.0260	washer A5,3	
8	1		2026.0400	guide bar	
9	1		2049.0800	cover plate aluminium	
10	1		2020.0300	plastic handle for safety valve	
11	1		5012.0526	gasket	
12	1		2026.0200	cone for safety valve	
13	1		5012.0527	gasket	
14	1		2064.0100	valve body	
15	1		2067.0202	steam hose	
16	1		3002.0402	filling-level control 90 mm	
17	5		1106.0160	hex nut M6	
18	5		1206.0120	toothed lock washer A6,4	
20	1		1106.0801	hex-combi-nut M6	
21	1		5012.0537	gasket	
22	1		2067.0124	pressure hose 1300 mm	
23	1		2066.0202	hose clamp	
24	1		3014.0150	sensor steam generator	B3

Steam Generator

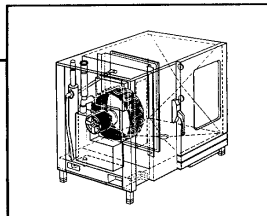
Voltage	Group	Page	Edition	Application from Serial. No.
3 N AC 380V 50Hz	4	4.1	4.1.3	11M91042001



Pos.	Pcs.	Sp.	Part No.	Description	Sign.	Pos.	Pcs.	Sp.	Part No.	Description	Sign.
-	1		8404.4000	safety valve cpl (version 1)		-	1		8300.0087	steam generator cpl.	
						29	1		3004.4304	heating element 2x3kW thermocouple	
version 1											
1	1		2049.0800	cover plate, aluminium		30	2		3004.4302	heating element 2x3kW	
2	1		2020.0301	plastic handle		31	1		2067.0202	steam hose 150mm long	
3	1		5012.0526	gasket		32	4		2066.0504	hose clamp 40-60mm	
4	1		2026.0201	cone		33	1		2067.0201	steam hose 50mm long	
5	1		5012.0527	gasket		34	1		3002.0402	filling-level electrode 90mm	S4
6	1		2064.0100	valve body		35	1		5012.0537	gasket	
7	1		1008.0764	hex screw M8x110		36	1		2067.0162	pressure hose 1370mm long	
version 2											
8	1		2049.0800	cover plate, aluminium		37	1		2062.0205	hose clamp 12-18mm	
9	1		2020.0301	plastic handle		38	5		1106.0801	hex-combi-nut M6	
10	1		2026.0301	plastic insert		39	1		3014.0300	protector against running dry	F5
11	1		5012.0526	gasket		40	1		2544.101230	clamping plate	
12	1		2026.0200	cone		41	1		2520.311089	holding angle	
13	1		5012.0527	gasket							
14	1		2064.0100	valve body							
15	1		2026.0400	guide bar							
16	1		1305.0260	washer A5,3							
17	1		1205.0360	spring washer A5,3							
18	1		1005.0660	hex socked head screw M5x12							
version 3											
19	1		2049.0800	cover plate, aluminium							
20	1		2020.0300	plastic handle							
21	1		5012.0526	gasket							
22	1		2026.0200	cone							
23	1		5012.0527	gasket							
24	1		2064.0100	valve body							
25	1		2026.0400	guide bar							
26	1		1305.0260	washer A5,3							
27	1		1205.0360	spring washer A5,3							
28	1		1005.0660	hex socked head screw M5x12							

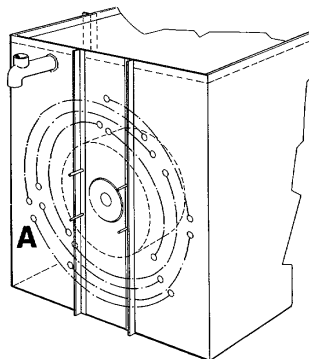
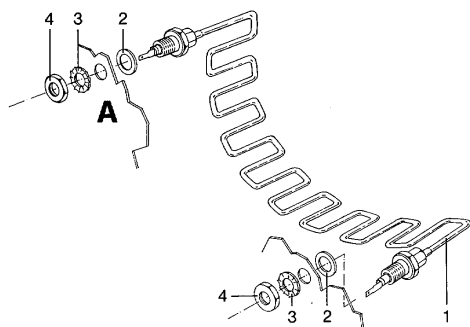


Pos.	St.	Ersatz.Nr.	Bezeichnung	Description
Pos.	Pcs.	Sp. Part No.		
-	1	8300.0087	SC-Dampfgenerator kpl.	SC-steam generator cpl.
-	1	8404.4000	Sicherheitsventil kpl.	Safety valve complete
1	1	2049.0800	Alu-Deckschild für Sicherheitsventil	Cover plate aluminum for safety valve
2	1	2020.0301	Griffscheibe Sicherheitsventil	Plastic-handle for safety-valve
3	1	5012.0526	Dichtung für Sicherheitsventil	Gasket for safety valve
4	1	2026.0201	Verschlußkegel Sicherheitsventil	Cone for safety valve
5	1	5012.0527	Dichtung für Sicherheitsventilgehäuse	Gasket for safety valve housing
6	1	2064.0100	Einfüllstutzen Typ 6/101	Safety valve housing
7	1	1008.0764	Sechskantschraube M8x110 f.Griffscheibe	Hex screw M8x110 for safety valve
8	1	2067.0202	Dampfschlauch NW42 150mm lang	Steam hose 150mm long
9	4	2066.0504	Schlauchschelle 40-60mm	Hose clamp 40-60mm
10	1	2067.0201	Dampfschlauch NW42 60 mm lang	Steam-hose 60mm long
11	1	3002.0402	Füllstandselektrode 90mm	Filling-level electrode 90mm
12	1	5012.0537	Dichtung für Füllstandselektrode	Gasket for filling-level elektrode
13	1	2067.0162	Silikonschlauch 1370mm lang	Silicone hose 1370mm long
14	1	2066.0205	Schlauchschelle 12-18mm	Hose clamp 12-18mm
15	5	1106.0801	Sechskant-Combi-Mutter M6	Hex combination nut M6
16	1	3014.0300	Trockengehschutz 125°C	Dry up protector 125°C
17	1	2544.101230	Klemmblech Dampfgenerator	Clamping plate thermostat steam generator
18	1	2520.311089	Halterung für Trockengehschutz	Holder for dry up protector
19	1	3004.4157	Tauchheizkörper 2x3kW 400V mit Fühlerrohr	Heating element 2x3kW 400V with sensor pipe
20	2	3004.4302	Tauchheizkörper 2x3kW 400V	Heating element 2x3KW 400V
21	1	3014.0165	Thermoelement Dampfgenerator	Thermo element steam generator



Hot Air Heating

Component Group	Page	Edition	applicable from Serial No.
5	5.1	5.1.1	11M 86 03 1003



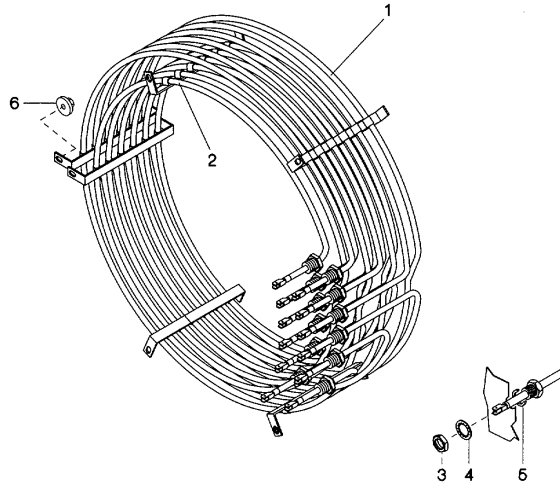
5

Pos.	Pcs.	Sp.	Part No.	Description	Sign
1	9		3004.1403	heating element 2 kW	
2	18		3004.1404	copper washer	
3	18		3004.1405	toothed lock washer	
4	18		3004.1406	hex nut M14	

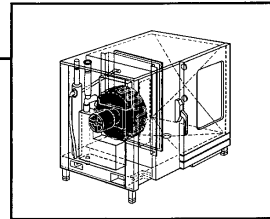
Note: heating elements are delivered with positions 2, 3 and 4.

Hot Air Heating

Voltage	Group	Page	Edition	Application from Serial. No.
3 N AC 380V 50Hz	5	5.1	5.1.2	11M91042001

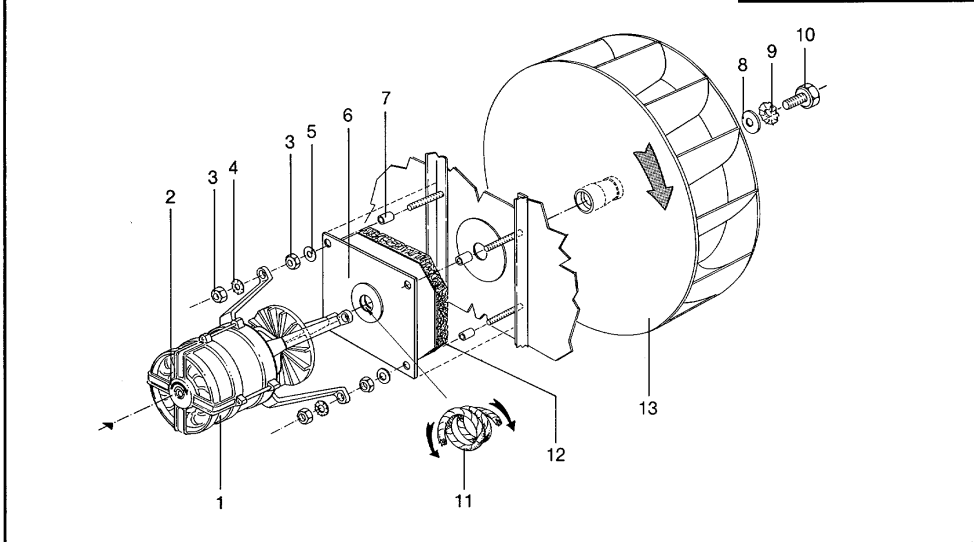


Pos.	Pcs.	Sp.	Part No.	Description	Sign.
-	1		3004.3520	heating assembly cpl.	
1	1		3004.3530	heating assembly big	
2	1		3004.3531	heating assembly smal	
3	12		3004.1406	hex nut M14	
4	12		3004.1405	toothhead lock washer	
5	12		3004.1404	copper washer	
6	6		1106.0801	hex-combi-nut M6	



Motor and Fan Wheel

Component Group	Page	Edition	applicable from Serial No.
6	6.1	6.1.1	11M 86 03 1003

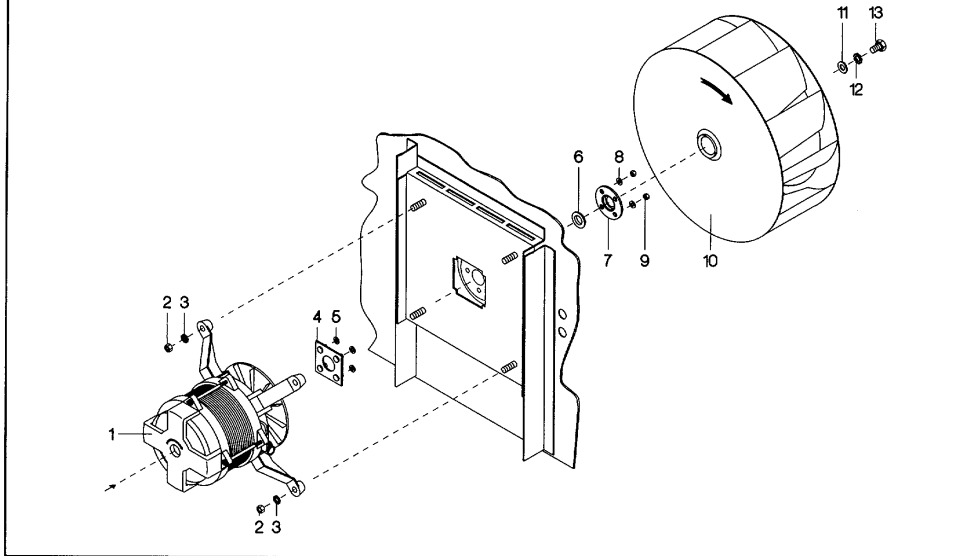


6

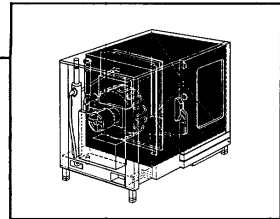
Pos.	Pcs.	Sp.	Part No.	Description	Sign
1	1		3001.0426	motor	
2	1		4019.0012	label direction of fan rotation	
3	8		1108.0260	hex nut M8	
4	4		1208.0160	toothed lock washer A 8,4	
5	4		1308.0561	washer \varnothing 9mm	
6	1		8006.8008	motor shaft packing complete	
7	4		2016.0848	spacer	
8	1		1310.0160	washer A 10,5	
9	1		1210.0160	toothed lock washer A 10,5	
10	1		1010.0760	hex screw M 10x16	
11	1		5002.0300	rope packing, greased	
12	1		5009.0100	insulation plate 200x205x20 mm	
13	1		2012.0500	fan wheel complete (with pos. 8-10)	

Motor and Fan Wheel

Voltage	Group	Page	Edition	Application from Serial. No.
3 N AC 380V 50Hz	6	6.1	6.1.2	11M91042001

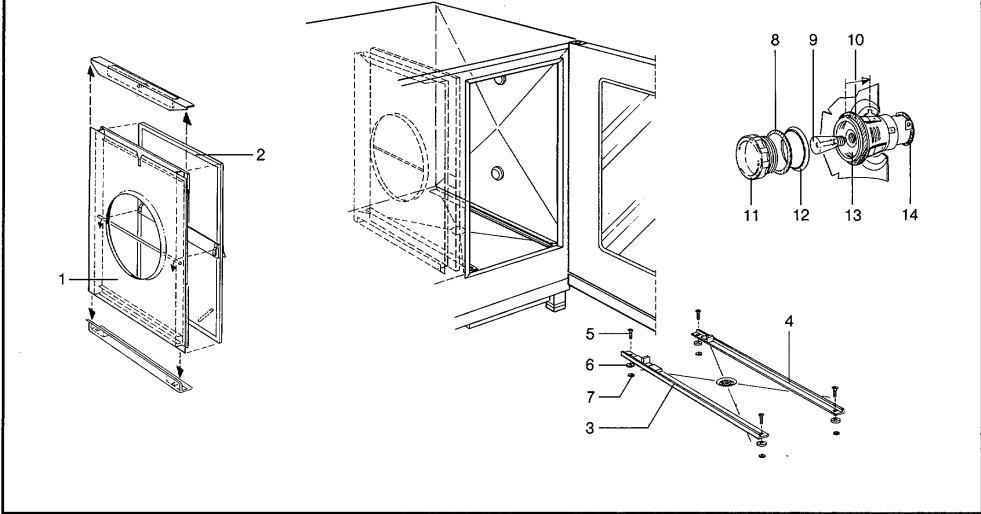


Pos.	Pcs.	Sp.	Part No.	Description	Sign.
1	1		3001.0426	motor	M1
2	4		1108.0260	hex nut M8	
3	4		1208.0160	toothed lock washer A8,4	
4	1		8506.0104	holder plate	
5	4		1315.0101	copper washer	
6	1		5001.0207	motor gasket	
7	1		2016.0876	gasket flange	
8	4		1306.0120	washer A6,4	
9	4		1106.0220	hex nut M6 flat	
10	1		2012.0500	fan wheel	
11	1		1310.0160	washer A10,5	
12	1		1210.0160	toothed lock washer A10,5	
13	1		1010.0760	hex screw M10x16	

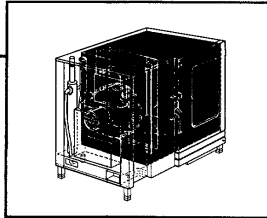


Interior Cabinet

Component Group	Page	Edition	applicable from Serial No.
7	7.1	7.1.1	11M 86 03 1003

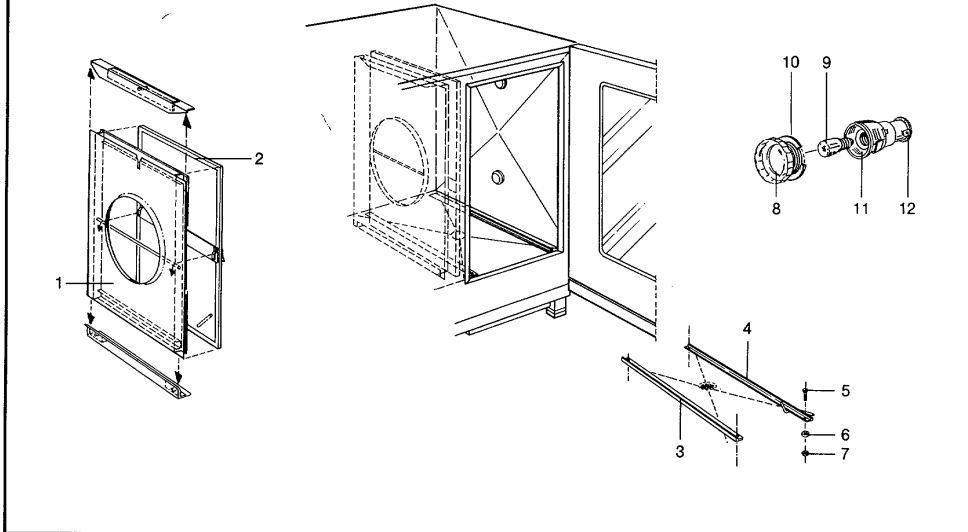


Pos.	Pcs.	Sp.	Part No.	Description	Sign
-	2		3023.0501	interior lamp complete	
1	1		8011.1003	air baffle	
2	1		2010.0701	fat filter	
3	1		8400.0150	rail left	
4	1		8400.0151	rail right	
5	4		1005.0462	countersunk screw with slot M 5x25	
6	4		2031.1000	spacer	
7	4		1105.0400	rivet nut M5	
8	1		5012.0509	gasket lamp lens	
9	2		3024.0200	bulb, heat-resistant	
10	1		5012.0508	gasket for lamp socket	
11	2		3025.0002	lamp lens	
12	2		3025.0003	metal ring	
13	2		3023.0506	socket for interior lamp	H1, H2
14	2		5012.0514	insulation paper	



Interior Cabinet

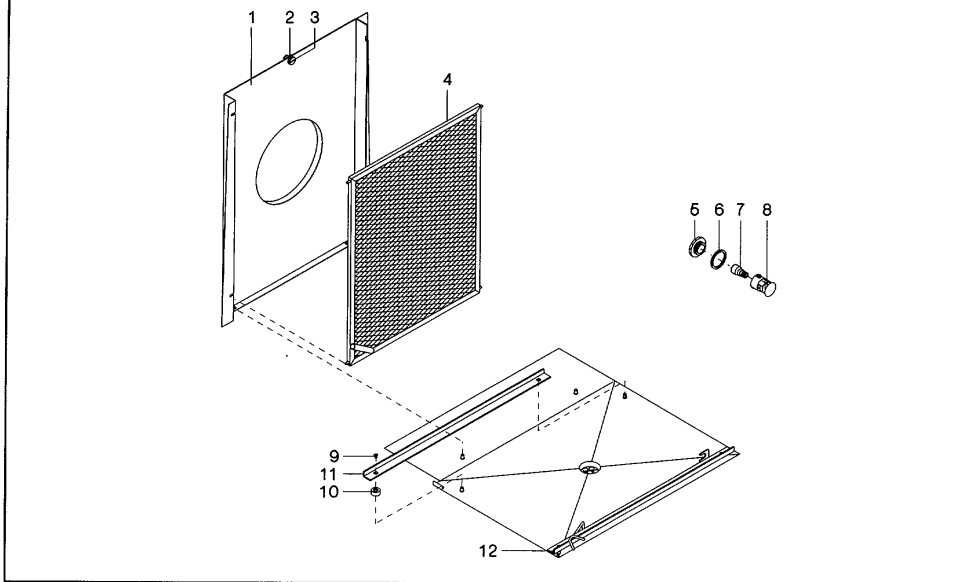
Component Group	Page	Edition	applicable from Serial No.
7	7.1	7.1.2	11M 87 02 1036



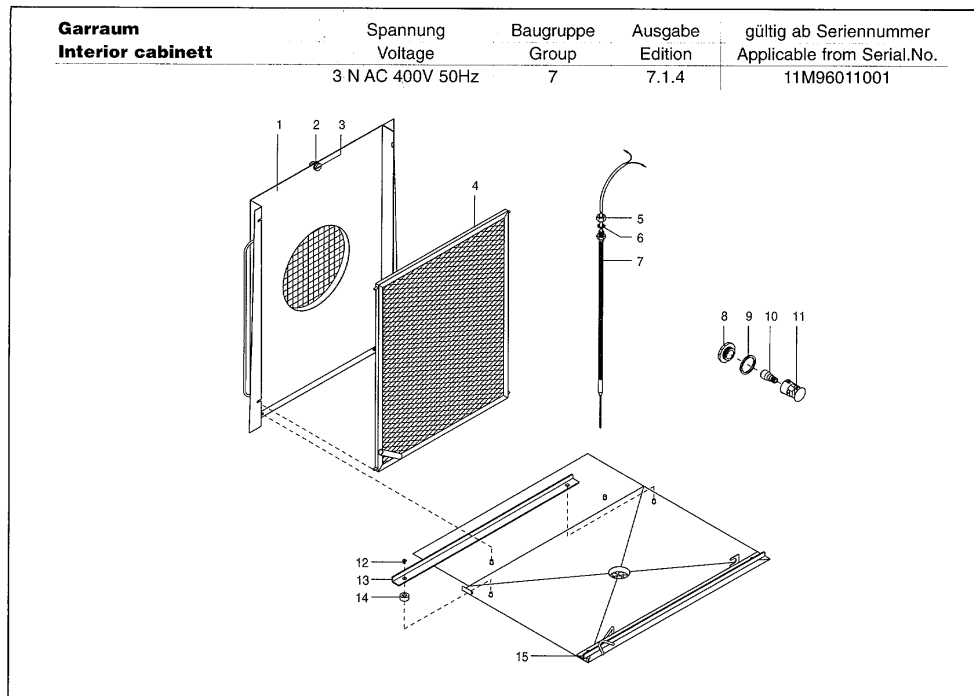
Pos.	Pcs.	Sp.	Part No.	Description	Sign
-	2		3023.0501	interior lamp complete	
1	1		8011.1003	air baffle	
2	1		2010.0701	fat filter	
3	1		8400.0150	rail left	from 11M88121980: 8400.0160
4	1		8400.0151	rail right	from 11M88121980: 8400.0162
5	4		1005.0467	countersunk screw with slot M 5x8	
6	4		2031.1000	spacer	
7	4		1410.0100	female plug	
8	2		3025.0002	lamp lens	
9	2		3024.0200	bulb, heat-resistant	
10	1		5012.0535	gasket	
11	2		3023.0506	socket for interior lamp	H1,H2
12	2		2580.980589	insulation paper	

Interior Cabinet

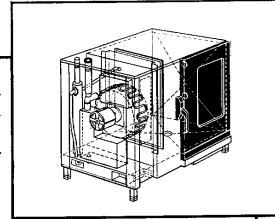
Voltage	Group	Page	Edition	Application from Serial. No.
3 N AC 380V 50Hz	7	7.1	7.1.3	11M91042001



Pos.	Pcs.	Sp.	Part No.	Description	Sign.
-	2		3023.0501	interior lamp cpl.	
1	1		8011.1111	air baffle cpl.	
2	1		2043.0203	holder plate for quick acting closure	
3	1		2043.0201	locking pin	
4	1		2010.0906	fat filter	
5	2		3025.0002	lamp lens	
6	2		5012.0535	gasket	
7	2		3024.0200	bulb, heat resistant	
8	2		3023.0506	socket for interior lamp	H1,H2
9	4		1005.0467	countersunk screw with slot M5x8	
10	4		2031.1000	spacer	
11	1		8400.0160	rail left	
12	1		8400.0162	rail right	

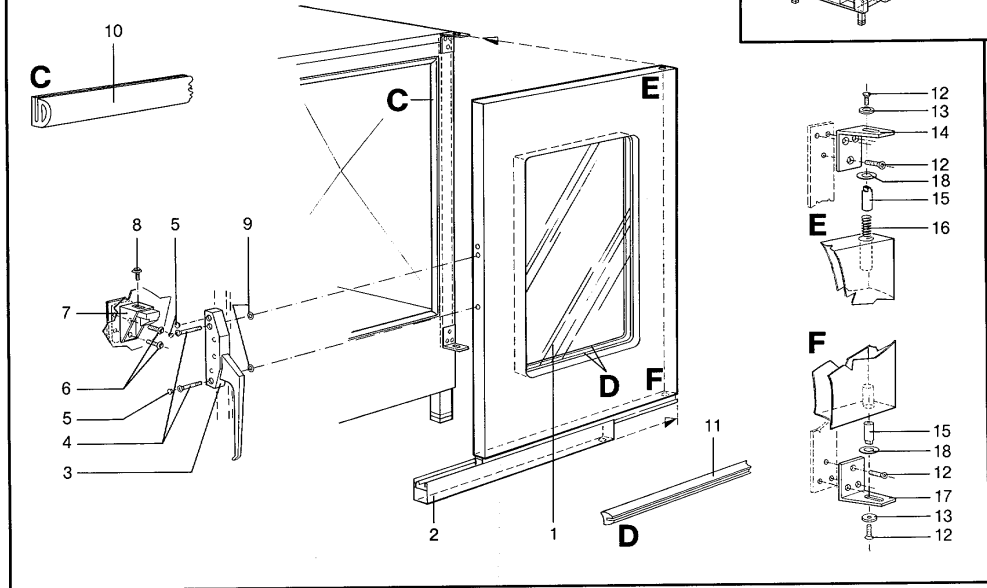


Pos.	St.	Ersatz.Nr.	Bezeichnung	Description
Pos.	Pcs.	Sp. Part No.		
-	1	3023.0501	Garraumbeleuchtung kpl.	Interior lamp cpl.
1	1	8011.1104	Trichterblech kpl.	Air baffle cpl.
2	1	2043.0203	Haltescheibe Luftleitblech	Holder plate air baffle
3	1	2043.0201	Verschlußbolzen Luftleitblech	Locking pin air baffle
4	1	2010.0906	Fettfilter Typ 101	Fat filter type 101
5	1	1112.0160	Sechskantmutter M12	Hex nut M12
6	1	3035.0606	Kupferdichtung für Einstechfühler	Copper gasket for meat probe sensor
7	1	3035.0703	Einstechfühler Typ 101	Meat probe sensor type 101
8	2	3025.0002	Lampenglas Garraumbeleuchtung	Lamp lens
9	2	5012.0535	Dichtring Garraumbeleuchtung	Gasket lamp lens
10	2	3024.0200	Glühlampe hitzebeständig 200-240V	Bulb-heat resistant 200-240V
11	2	3023.0506	Lampenfassung Garraumbeleuchtung	Socket for interior lamp
12	4	1005.0467	Senkschraube mit Schlitz M5x8	Slotted countersunk screw M5x8
13	1	8400.0160	Führungsschiene links	Rail left
14	4	2031.1000	Distanzscheibe für HGW-Führungsschiene	Spacer for mobile oven rack guide rail
15	1	8400.0162	Führungsschiene rechts	Rail right

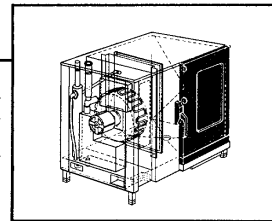


Door

Component Group	Page	Edition	applicable from Serial No.
8	8.1	8.1.1	11M 86 03 1003

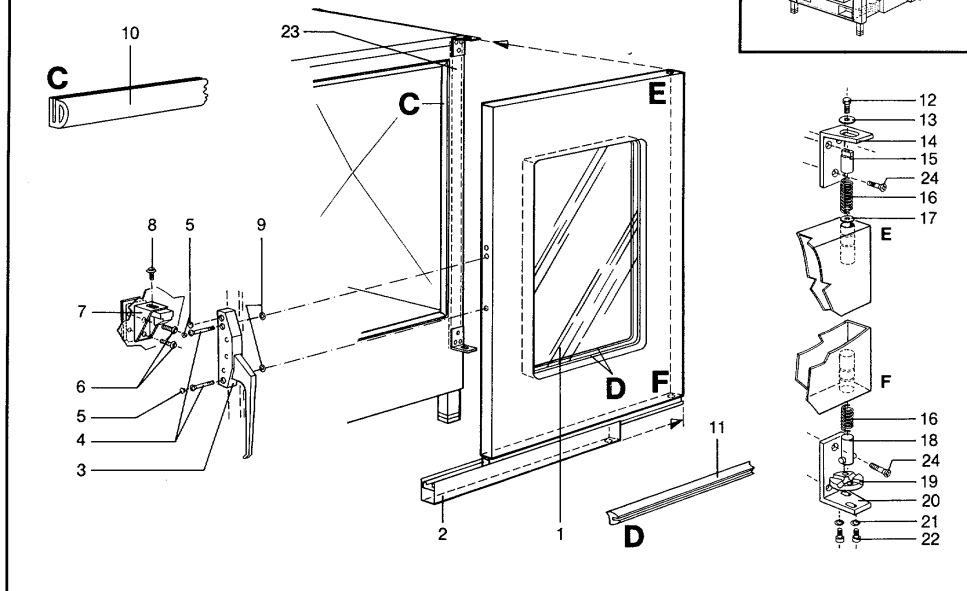


Pos.	Pcs.	Sp.	Part No.	Description	Sign
-	1		8202.2001	door complete	
1	1		5015.0900	door window	
2	1		2530.070008	door drip collector	
3	1		2016.1100	door lock	
4	2		1005.1962	socket countersunk head cap screw M 5x30	
5	3		2016.1102	end-cap door lock	
6	2		1005.2100	safety screw M 5x16	
7	1		2016.0610	door catch	
8	1		1005.2000	safety screw M 5x8	
9	2		1305.0260	washer A 5,3	
10	1		5012.0704	door gasket	
11	1		5012.0200	window gasket	
12	8		1005.1960	socket countersunk head cap screw M 5x16	
13	2		2031.0700	rosette	
14	1		8440.1001	holder on top	
15	2		2016.0801	door bolt	
16	1		2001.0103	compression spring	
17	1		8440.1000	holder below	
18	2		1310.0160	washer A 10,5	



Door

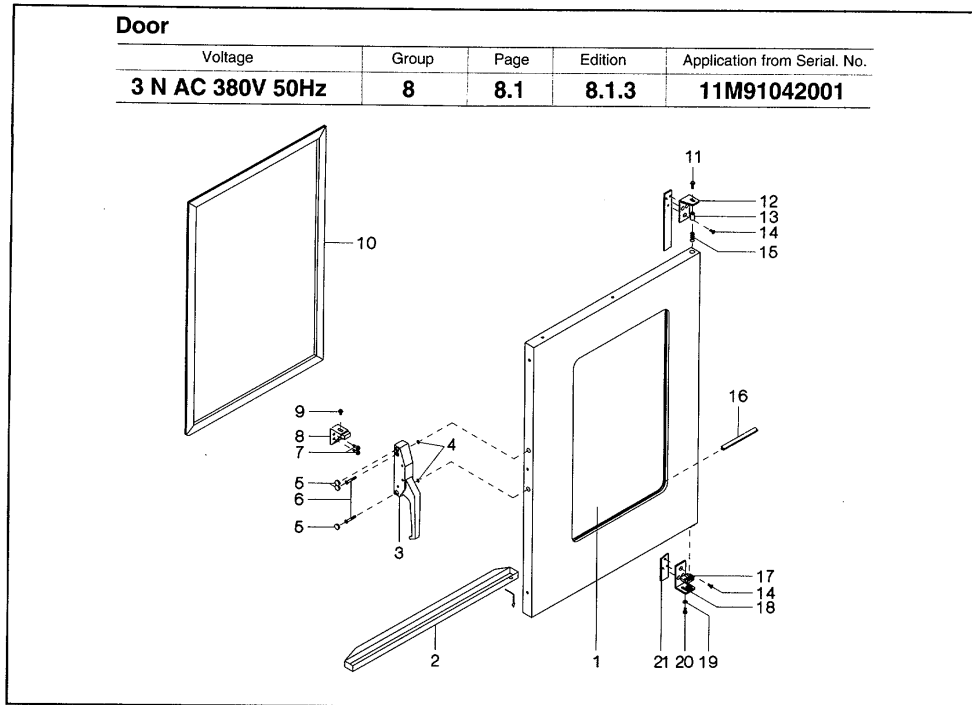
Component Group	Page	Edition	applicable from Serial No.
8	8.1	8.1.2	11M 89 04 1210



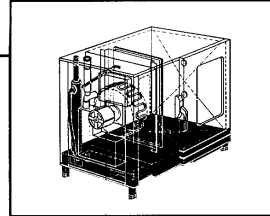
Pos.	Pcs.	Sp.	Part No.	Description	Sign
-	1		8202.20010489	door complete	
1	1		5015.0900	door window	
2	1		8100.0116	door drip collector	
3	1		2016.1100	door lock	
4	2		1005.1962	socket countersunk head cap screw M 5x30	
5	3		2016.1102	end-cap door lock	
6	2		1005.2100	safety screw M 5x16	
7	1		2016.0610	door catch	
8	1		1005.2000	safety screw M 5x8	
9	2		1305.0260	washer A5,3	
10	1		5012.0704	door gasket	
11	1		5012.0202	set window gasket	
12	1		1008.0750	hex screw M 5x16	
13	1		1305.0260	washer	
14	1		8440.1000	door holding bracket, top	
15	2		2016.0801	door bolt	
16	1		2001.0105	compression spring	
17	1		1310.0160	spacing washer	
18	1		2016.0865	locking knob	
19	1		2016.0864	locking plate	
20	1		8440.1006	door holding bracket bottom	
21	1		1205.0360	spring washer	
22	2		1005.0663	hexagon socket screw	
23	1		8440.1108	door holding bracket CD/CM 101	
24	6		1005.1960	socket countersunk head cap screw M 5x16	

Door

Voltage	Group	Page	Edition	Application from Serial. No.
3 N AC 380V 50Hz	8	8.1	8.1.3	11M91042001

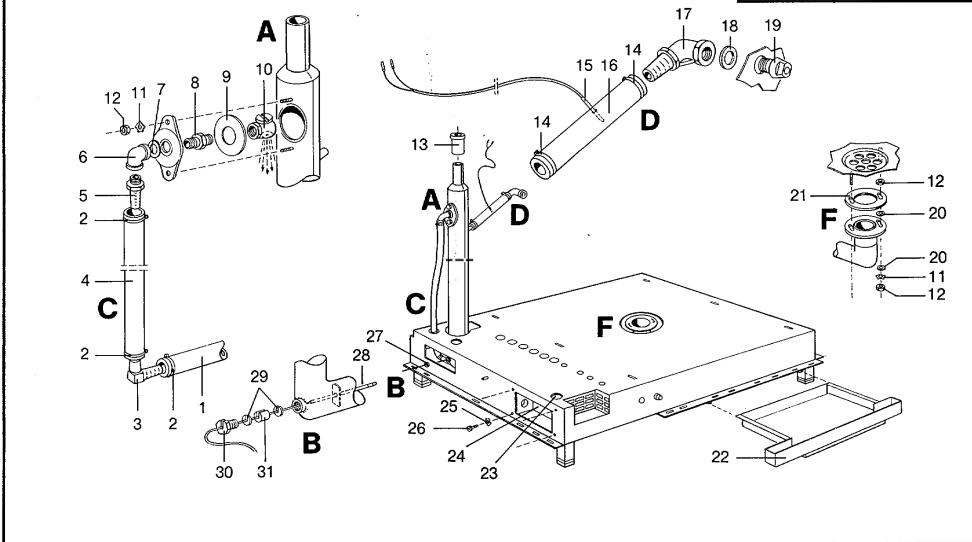


Pos.Pcs.	Sp.	Part No.	Description	Sign.
-	1	8202.3001	door cpl.	
1	1	5015.0900	door window	
2	1	2530.031166	door drip collector	
3	1	2016.1100	door lock	
4	2	1305.0260	washer A5,3	
5	3	2016.1102	end-cap door lock	
6	2	1005.1964	socket countersunk head cap screw M5x30	
7	3	1005.2100	safety screw M5x16	
8	1	2016.0610	door catch	
9	2	1005.2000	safety screw M5x8	
10	1	5012.0704	door gasket	
11	1	1008.0752	hex screw M5x10	
12	1	8440.1000	door holder on top	
13	1	2016.0801	door bolt	
14	6	1005.1960	hex socket countersunk head cap screw M5x16	
15	1	2001.0108	compression spring	
16	1	5012.0202	set gasket for door window	
17	1	2016.0884	door locking plate	
18	1	2630.210311	door holder down	
19	2	1205.0362	spring washer A5,3	
20	1	1008.0752	hex cap screw M5x10	
21	1	2630.200310	door holding bracket top	

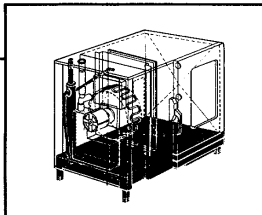


Bottom (Top elevation)

Component Group	Page	Edition	applicable from Serial No.
9	9.1	9.1.1	11M 86 03 1003

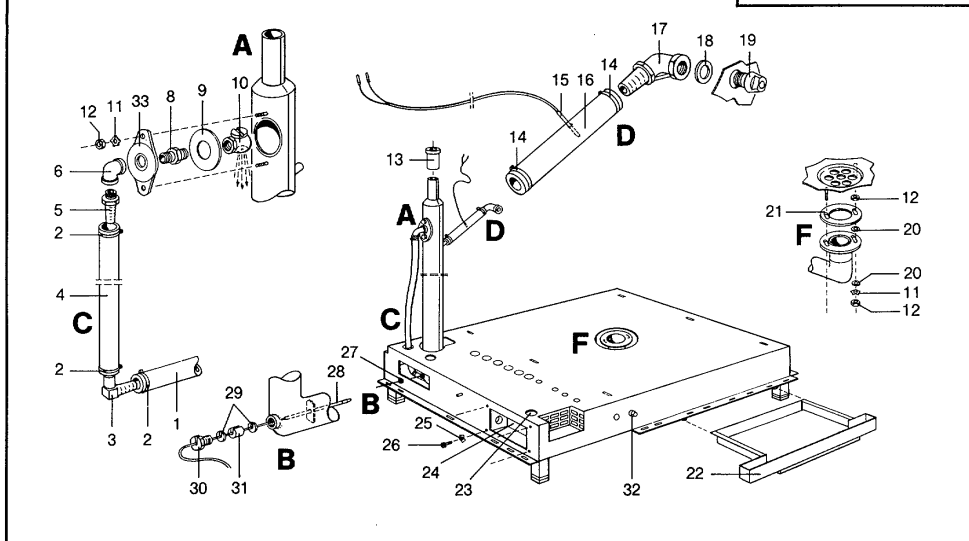


Pos.	Pcs.	Sp.	Part No.	Description	Sign	Pos.	Pcs.	Sp.	Part No.	Description	Sign
1	1		2067.0102	pressure hose 430mm long		29	2		3014.0304	washer	
2	2		2066.0202	hose clamp 12 – 22 mm		30	1		3014.0305	stuffing box nipple	
3	1		2062.0301	plastic elbow fitting		31	1		3014.0303	stuffing box packing	
4	1		2067.0103	pressure hose 650mm long							
5	1		2062.0102	hose fitting G 3/8"							
6	1		2064.0300	elbow fitting G 3/8", 90°							
7	1		5012.0532	gasket							
8	1		2064.0200	double nipple G 3/8"							
9	1		2070.0020	gasket							
10	1		2016.0900	quench nozzle							
11	4		1206.0120	toothed lock washer A 6,4							
12	6		1106.0160	hex nut M6							
13	1		4016.0601	air inlet grommet							
14	2		2066.0506	hose clamp 20 – 32 mm							
15	1		3014.0150	sensor bypass	B2						
16	1		2067.1605	silicone hose 285 mm long							
17	1		2070.0008	elbow fitting G 1/2", 90°							
18	1		1315.0100	copper washer							
19	1		2016.0850	bushing G 1/2"							
20	4		1306.0221	washer A 6,4							
21	1		5012.0525	gasket							
22	1		8100.0115	drip collector							
23	1		4016.0400	grommet							
24	1		3038.0200	terminal box							
25	4		1204.0120	toothed lock washer A 4,3							
26	4		1004.0660	hex socket head cap screw M 4x10							
27	1		2022.0101	grommet							
28	1		3014.0312	thermostat quenching system	P1						

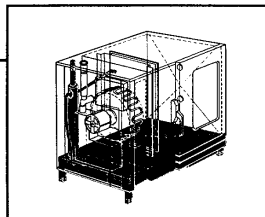


Bottom (Top elevation)

Component Group	Page	Edition	applicable from Serial No.
9	9.1	9.1.2	11M 89 04 1210

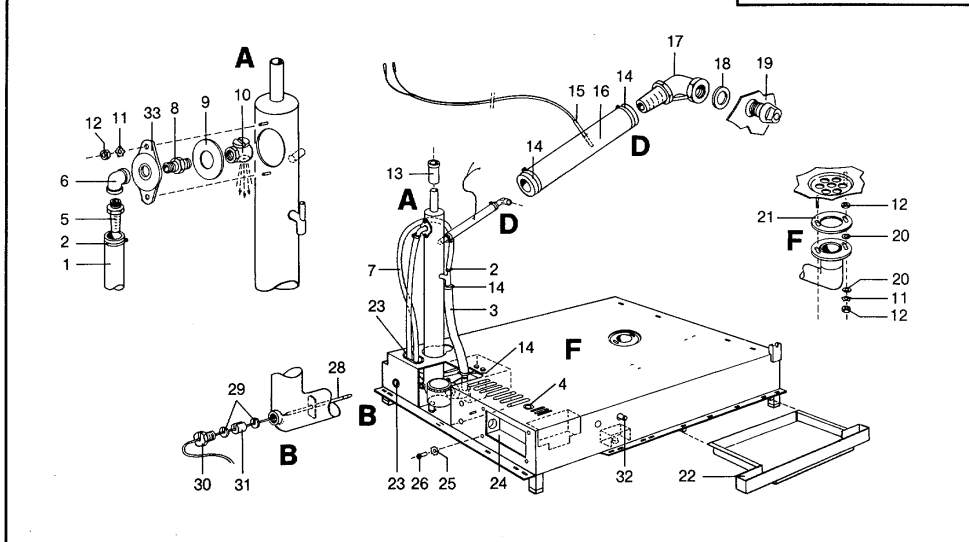


Pos.	Pcs.	Sp.	Part No.	Description	Sign	Pos.	Pcs.	Sp.	Part No.	Description	Sign
1	1		2067.0102	pressure hose 430 mm long		28	1		3014.0312	thermostat quenching system	P1
2	2		2066.0202	hose clamp 12 – 22 mm		29	2		3014.0304	washer	
3	1		2062.0301	plastic elbow fitting		30	1		3014.0305	stuffing box nipple	
4	1		2067.0103	pressure hose 650 mm long		31	1		3014.0303	stuffing box packing	
5	1		2062.0102	hose fitting G 3/8"		32	1		3016.1403	door switch	S3
6	1		2064.0300	elbow fitting G 3/8", 90 degrees		33	1		2070.0021	cover for quench nozzle	
8	1		2064.0200	double nipple G 3/8"		-	1		8612.0105	quench nozzle complete (pos. 5, 6, 33, 8, 9, 10)	
9	1		2070.0020	gasket							
10	1		2016.0900	quench nozzle							
11	4		1206.0120	toothed lock washer A6,4							
12	6		1106.0160	hex nut M6							
13	1		4016.0601	air inlet grommet							
14	2		2066.0506	hose clamp 20 – 32 mm							
15	1		3014.0150	sensor for steam controller B2							
16	1		2067.1605	silicone hose 285 mm long							
17	1		8450.0101	elbow fitting G 1/2", 90 degrees							
18	1		1315.0100	copper washer							
19	1		2016.0857	bushing G 1/2"							
20	4		1306.0221	washer A6,4							
21	1		5012.0525	gasket							
22	1		8100.0115	drip collector							
23	1		4016.0400	grommet							
24	1		3038.0200	terminal box							
25	4		1204.0120	toothed lock washer A4,3							
26	4		1004.0660	hex socket head cap screw M 4x10							
27	1		2022.0101	grommet							



Bottom (Top elevation)

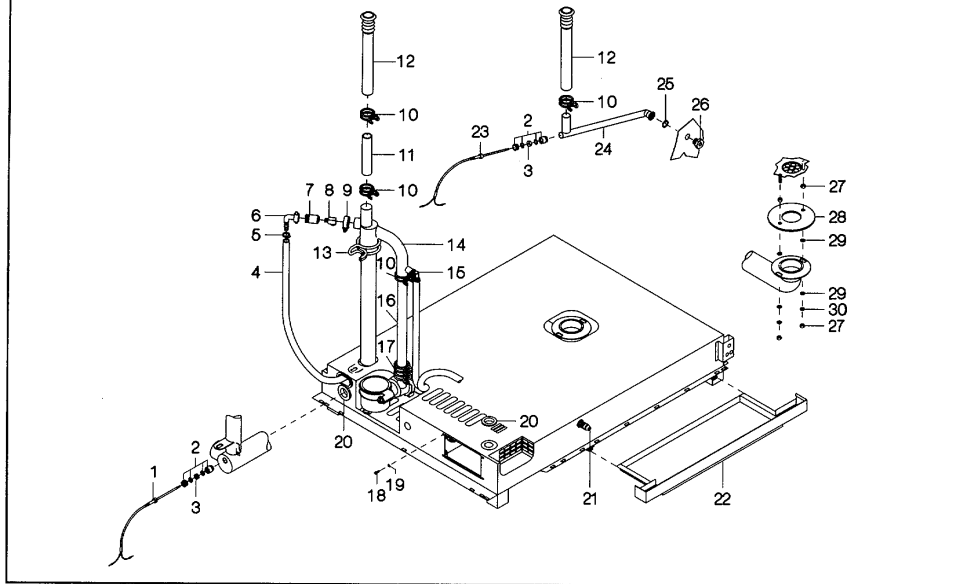
Component Group	Page	Edition	applicable from Serial No.
9	9.1	9.1.3	11M 8910 4001



Pos.	Pcs.	Sp.	Part No.	Description	Sign	Pos.	Pcs.	Sp.	Part No.	Description	Sign
1	1		2067.0131	pressure hose		31	1		3014.0303	stuffing box packing	
2	2		2066.0202	hose clamp 12 – 22 mm		32	1		3016.1403	door switch	S3
3	1		2067.1615	silicone hose 400 mm long		33	1		2070.0021	cover for quench nozzle	
4	2		2022.0105	grommet		-	1		8612.0105	quench nozzle complete (pos. 5, 6, 33, 8, 9, 10)	
5	1		2062.0102	hose fitting G 3/8"							
6	1		2064.0300	elbow fitting G 3/8", 90 degrees							
7	1		2067.0133	pressure hose							
8	1		2064.0200	double nipple G 3/8"							
9	1		2070.0020	gasket							
10	1		2016.0900	quench nozzle							
11	4		1206.0120	toothed lock washer A6,4							
12	6		1106.0160	hex nut M6							
13	1		4016.0601	air inlet grommet							
14	4		2066.0506	hose clamp 20 – 32 mm							
15	1		3014.0150	sensor for bypass	B2						
16	1		2067.1605	silicone hose 285 mm long							
17	1		8450.0101	elbow fitting G 1/2", 90 degrees							
18	1		1315.0100	copper washer							
19	1		2016.0857	bushing G 1/2"							
20	4		1306.0221	washer A6,4							
21	1		5012.0525	gasket							
22	1		8100.0115	drip collector							
23	2		4016.0450	grommet							
24	1		3038.0200	terminal box							
25	4		1204.0120	toothed lock washer A4,3							
26	4		1004.0660	hex socket head cap screw M 4x10							
28	1		3014.0312	thermostat	P1						
				quenching system							
29	2		3014.0304	washer							
30	1		3014.0305	stuffing box nipple							

Bottom (Top elevation)

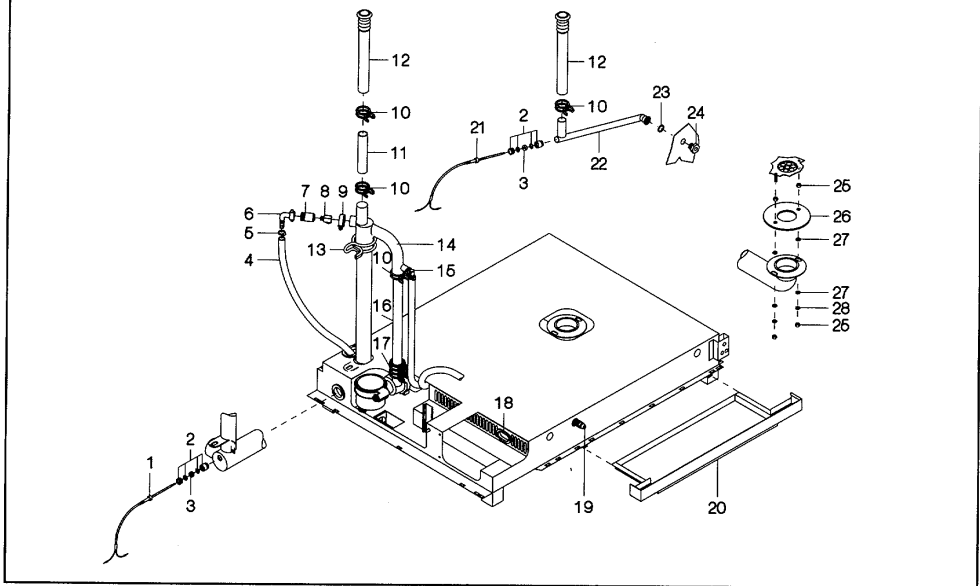
Voltage	Group	Page	Edition	Application from Serial. No.
3 N AC 380V 50Hz	9	9.1	9.1.4	11M91042001



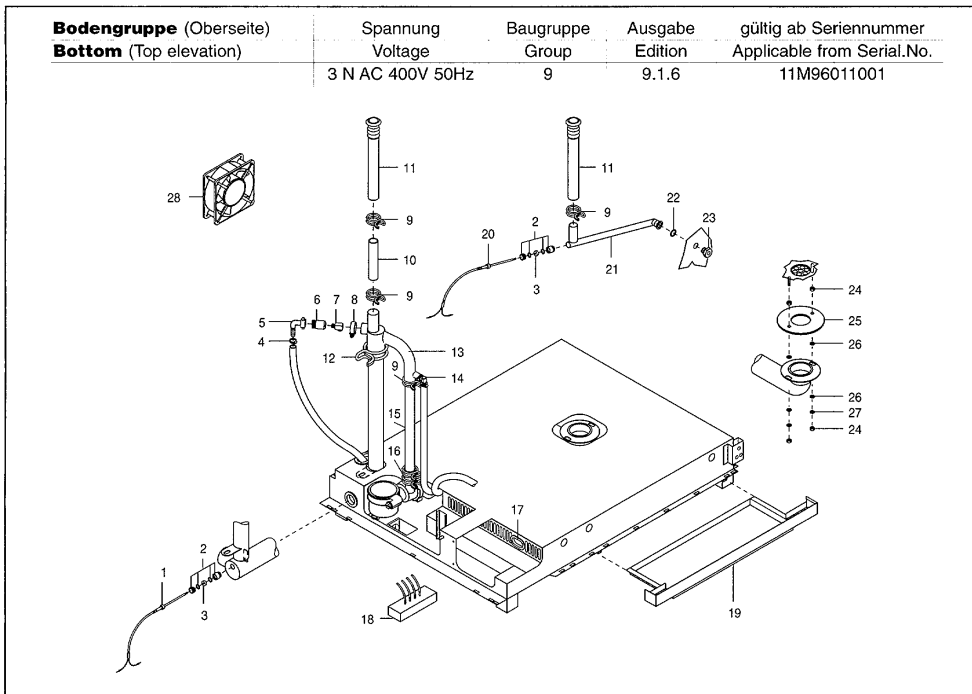
Pos.	Pcs.	Sp.	Part No.	Description	Sign.
-	1		8612.0111	quenching nozzle cpl. (pos.7,8)	
1	1		3014.0156	sensor quenching	E2
2	2		4007.0600	cablc connection PG9	
3	2		2022.0100	gasket	
4	1		2067.0153	pressure hose 950mm long	
5	4		2066.0205	hose clamp 12-18mm	
6	1		2062.0208	threaded pipe angle G1/2"	
7	1		2016.0883	screwing for quenching nozzle	
8	1		2016.0915	quenching nozzle	
9	1		2066.0506	hose clamp 20-32mm	
10	3		2066.0518	hose clamp 30mm	
11	1		2610.420320	PP-pipe 145mm long	
12	2		4016.0101	air inlet grommet	
13	1		2066.0520	hose clamp 46mm	
14	1		2022.0201	drain elbow	
15	1		2062.0301	plastic elbow fitting	
16	1		2644.250288	PP-pipe 300mm long	
17	1		2022.0202	hose connection pipe 40mm long	
18	4		1004.0660	hex socket head screw M4x10	
19	4		1204.0120	toothed lock washer A4,3	
20	3		4016.0450	grommet	
21	1		3016.1403	door switch	S2
22	1		8100.0115	drip collector	
23	1		3014.0156	sensor bypass	E3
24	1		2071.0100	bypass pipe	
25	1		1315.0104	copper washer	
26	1		2016.0920	bypass nozzle	
27	6		1106.0160	hex nut M6	
28	1		5012.0555	gasket	
29	4		1306.0221	washer A6,4	
30	2		1206.0120	toothed lock washer A6,4	

Bottom (Top elevation)

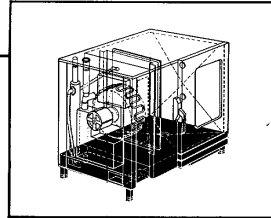
Voltage	Group	Page	Edition	Application from Serial. No.
3 N AC 380V 50Hz	9	9.1	9.1.5	11M92051614



Pos.	Pcs.	Sp. Part No.	Description	Sign.
-	1	8612.0111	quenching nozzle cpl. (pos.7,8)	
1	1	3014.0156	sensor quenching	E2
2	2	4007.0600	cablc connection PG9	
3	2	2022.0100	gasket	
4	1	2067.0153	pressure hose 950mm long	
5	4	2066.0205	hose clamp 12-18mm	
6	1	2062.0208	threaded pipe angle G1/2"	
7	1	2016.0883	screwing for quenching nozzle	
8	1	2016.0915	quenching nozzle	
9	1	2066.0506	hose clamp 20-32mm	
10	3	2066.0518	hose clamp 30mm	
11	1	2610.420320	PP-pipe 145mm long	
12	2	4016.0101	air inlet grommet	
13	1	2066.0520	hose clamp 46mm	
14	1	2022.0201	drain elbow	
15	1	2062.0301	plastic elbow fitting	
16	1	2644.250288	PP-pipe 300mm long	
17	1	2022.0202	hose connection pipe 40mm long	
18	3	4016.0450	grommet	
19	1	3016.1403	door switch	S2
20	1	8100.0115	drip collector	
21	1	3014.0156	sensor bypass	E3
22	1	2071.0100	bypass pipe	
23	1	1315.0104	copper washer	
24	1	2016.0920	bypass nozzle	
25	6	1106.0160	hex nut M6	
26	1	5012.0555	gasket	
27	4	1306.0221	washer A6,4	
28	2	1206.0120	toothed lock washer A6,4	

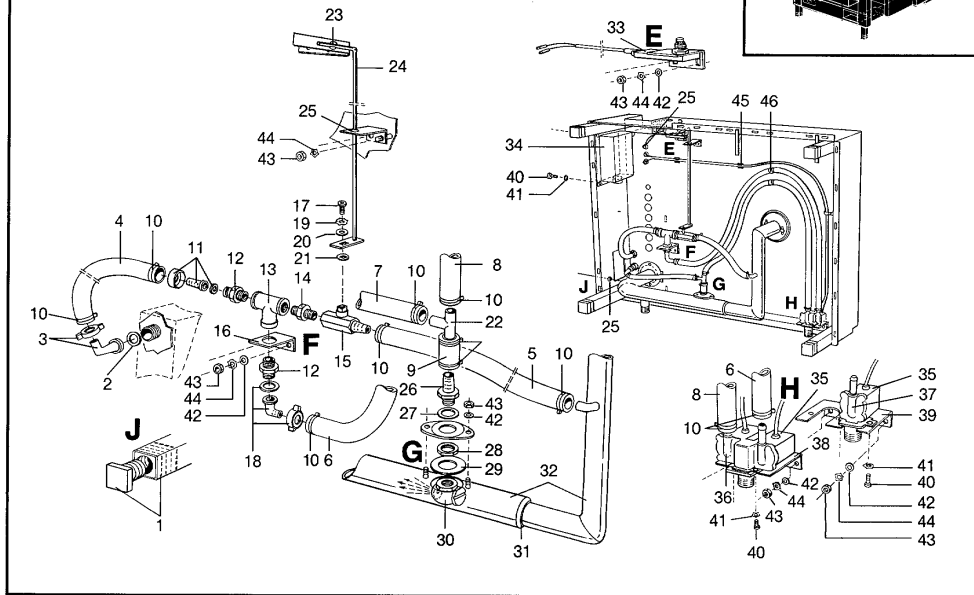


Pos.	St.	Ersatz.Nr.	Bezeichnung	Description
Pos.	Pcs.	Sp. Part No.		
-	-	2067.0050	Druckschlauch NW 10 11fm.	Pressure hose NW10 per meter
-	1	8612.0111	Ablöschdüse oben kpl. (Pos. 7,8)	Quench nozzle top (pos. 7,8)
1	1	3014.0156	Fühler Ablöschung/Bypass	Sensor bypass/quenching
2	2	4007.0600	Kabelverschraubung PG 9 Metall	Cable connection PG9
3	2	2022.0100	Silikondurchführung rot 15x4mm	Silicone gasket red
4	4	2066.0205	Schlauchselle 12-18 mm	Hose clamp 12-18 mm
5	1	2062.0208	Winkelverschraubung G1/2"x10	Elbow Nipple 1/2"x10mm
-	1	5012.0539	Dichtung Winkelverschraubung G1/2"	Gasket for G1/2" threaded joint
6	1	2016.0883	Verschraubung Ablöschdüse	Threaded connection for quenching nozzle
7	1	2016.0915	Ablöschdüse oben	Quenching nozzle top
8	1	2066.0506	Schlauchselle 20-32mm	Hose clamp 20-32mm
9	6	2066.0518	Schlauchklemme 30mm	Hose clamp 30mm
10	1	2610.420320	PP-Rohr 145mm lang	PP-pipe 145mm long
11	2	4016.0101	Entlüftungstülle 250mm	Vent grommet 250mm
12	1	2066.0520	Schlauchklemme d 47 mm	Hose clamp 47 mm
13	1	2022.0201	Abflußkrümmer ab 04/91	Drain elbow from 04/91
14	1	2062.0301	Winkelschlauchfitting WS 10	Angle fitting plastic WS 10
15	1	2644.250288	PP-Rohr 300mm lang	PP-pipe 300 mm
16	1	2022.0202	Schlauchstutzen 40mm SC-Pumpe	Hose connection piece 40 mm SC-pump
17	3	4016.0450	Formtülle	Vent grommet
18	1	3001.0452	Entstößfilter	Electronic noise filter
19	1	8100.0115	Fettauffangwanne	Drip collector
20	1	3014.0156	Fühler Ablöschung/Bypass	Sensor bypass/quenching
21	1	2071.0100	Bypassrohr	Bypass pipe
22	1	1315.0104	Kupferdichtung 16x20x1,5	Copper washer 16x20x1,5
23	1	2016.0920	Bypassdüse ab 04/91	Bypass nozzle from 4/91
24	6	1106.0160	Sechskantmutter M6	Hex nut M6
25	1	5012.0555	Dichtung Bodenablauf	gasket for drain
26	4	1306.0221	Unterlegscheibe A6,4 DIN9021	Washer A6,4 DIN125
27	2	1206.0120	Zahnscheibe A6,4	Toothed lock washer A6,4
28	1	3101.1008	Kühllüfter	Cooling motor

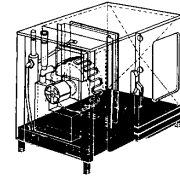


Bottom (Lower elevation)

Component Group	Page	Edition	applicable from Serial No.
10	10.1	10.1.1	11M 86 03 1003

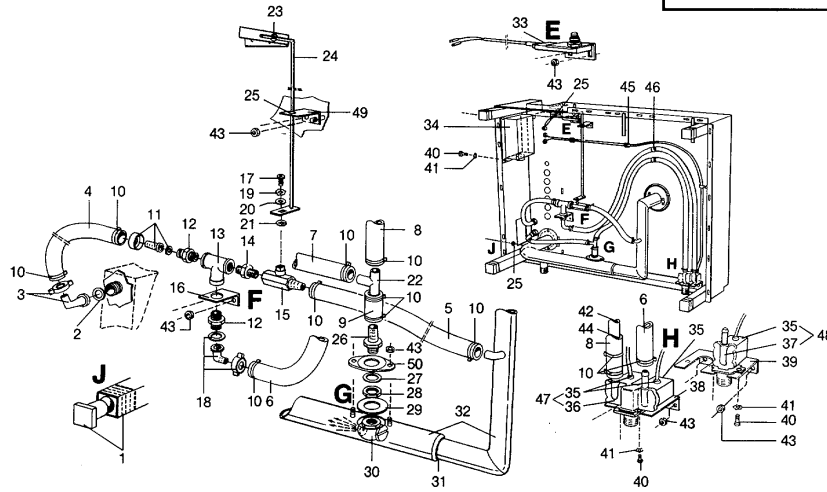


Pos.	Pcs.	Sp.	Part No.	Description	Sign	Pos.	Pcs.	Sp.	Part No.	Description	Sign
1	4		2039.0100	foot adjustable		32	1		2070.0011	drain system complete	
2	1		5012.0529	sealing ring for elbow fitting		33	1		3016.1403	door switch	
3	1		2062.0200	elbow fitting G 3/4"		34	1		3038.0200	terminal box	
4	1		2067.0301	pressure hose 150 mm long		35					
5	1		2067.0302	pressure hose 290 mm long		36	1		3002.0304	double solenoid valve	
6	1		2067.0105	pressure hose 1000 mm long		37	2		3002.0305	2 single solenoid valves (option)	
7	1		2067.0102	pressure hose 430 mm long		38	1		2580.720384	holder for double solenoid valve	
8	1		2067.0104	pressure hose 760 mm long		39	1		2580.910401	holder for 2 single solenoid valves (option)	
9	1		2067.0101	pressure hose 90 mm long		40	4		1004.0660	hex socket head cap screw M 4x10	
10	6		2066.0202	hose clamp 12 - 22 mm		41	4		1204.0120	toothed lock washer A 4,3	
11	1		2062.0202	fitting/hose nipple G 3/4"		42	8		1306.0221	washer A 6,4	
12	2		1500.1579	nipple G 1/2" x G 3/4"		43	8		1106.0160	hex nut M6	
13	1		2036.0501	T-fitting 1/2"		44	8		1206.0120	toothed lock washer A 6,4	
14	1		2062.0103	double nipple 1/2"		45	3		4006.0201	cable clamp	
15	1		2062.0100	ball valve		46	2		4006.0203	cable clamp	
16	1		2580.730385	holder for T-fitting							
17	1		1006.0300	slotted raised countersunk head screw							
18	1		2062.0203	elbow fitting 3/4"							
19	1		1205.0120	toothed lock washer A 5,3							
20	1		1305.0260	washer A 5,3							
21	1		1308.0560	washer							
22	1		2062.0302	T-fitting							
23	1		4006.0202	cable clamp							
24	1		8410.0100	lever for drain valve							
25	4		2022.0101	grommet							
26	1		2062.0102	hose fitting G 3/8"							
27	1		5012.0532	gasket							
28	1		2040.0101	hex nut G 3/8"							
29	1		2070.0020	gasket							
30	1		2016.0900	quench nozzle							
31	1		2070.0013	gasket element							



Bottom (Lower elevation)

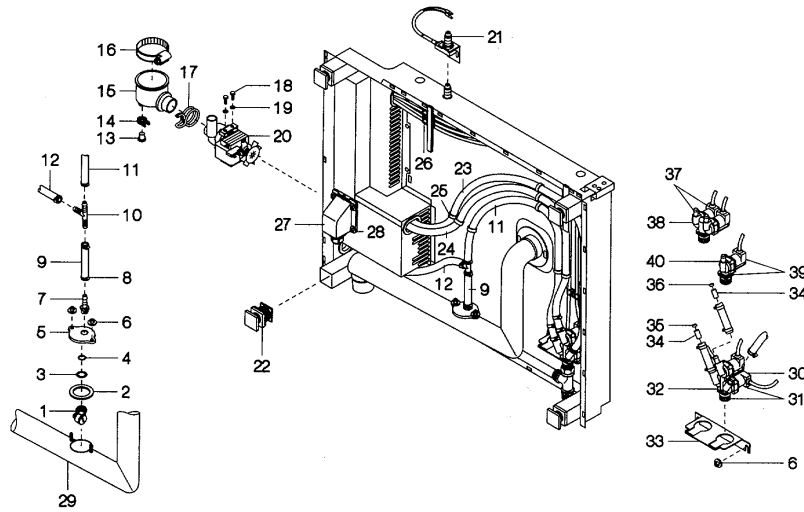
Component Group	Page	Edition	applicable from Serial No.
10	10.1	10.1.2	11M 89 04 1210



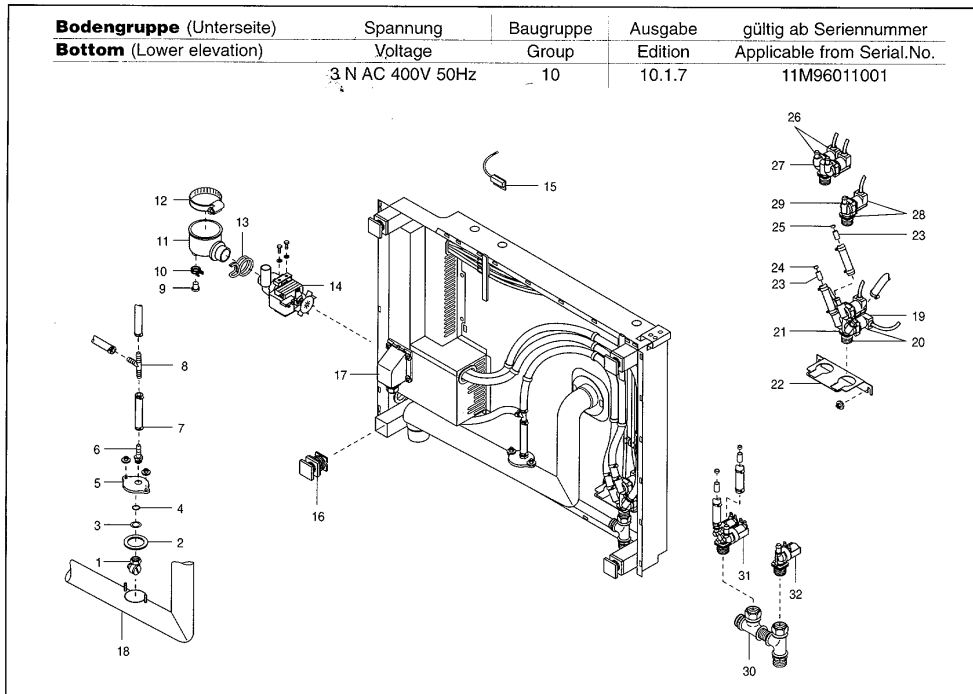
Pos.	Pcs.	Sp.	Part No.	Description	Sign	Pos.	Pcs.	Sp.	Part No.	Description	Sign
1	4		2039.0100	foot adjustable		26	1		2062.0102	hose fitting G 3/8"	
2	1		5012.0529	sealing ring		27	1		5012.0532	gasket	
3	1		2062.0200	for elbow fitting		28	1		2580.600594	washer	
4	1		2067.0301	elbow fitting G 3/4"		29	1		2070.0020	gasket	
5	1		2067.0302	pressure hose		30	1		2016.0900	quench nozzle	
6	1		2067.0105	150 mm long		31	1		2070.0013	gasket element	
7	1		2067.0102	290 mm long		32	1		2070.0011	drain system complete	
8	1		2067.0104	430 mm long		33	1		3016.1403	door contact switch	
9	1		2067.0101	760 mm long		34	1		3038.0200	terminal box	
10	7		2066.0202	90 mm long		35					
11	1		2062.0202	hose clamp 12-22 mm		36					
12	2		1500.1579	fitting G 3/4"		37					
13	1		2036.0501	nipple G 1/2"xG 3/4"		38	1		2580.720384	holder for double solenoid valve	
14	1		2062.0103	T-fitting 1/2"		39	1		2580.910401	holder for 2 single solenoid valves (option)	
15	1		2062.0100	double nipple 1/2"		40	4		1004.0660	hex socket head cap screw M 4x10	
16	1		2580.730385	ball valve		41	4		1204.0120	toothed lock washer A 4,3	
17	1		1006.0300	holder for T-fitting		42	1		1900.0101	flow regulator green	
18	1		2062.0203	slotted raised countersunk head screw		43	10		1106.0801	hex combi nut M6	
19	1		1205.0120	elbow fitting 3/4"		44	1		2016.0867	socket for flow regulator	
20	1		1305.0260	toothed lock washer A 5,3		45	3		4006.0201	cable clamp	
21	1		1308.0560	washer A 5,3		46	2		4006.0203	cable clamp	
22	1		2062.0302	washer		47	1		3002.0304	double solenoid valve complete	
23	1		4006.0202	T-fitting		48	2		3002.0305	2 single solenoid valves complete	
24	1		8410.0100	lever for ball valve		49	1		2580.740386	holding strap for lever for ball valve	
25	4		2022.0101	grommet		50	1		2070.0021	cover for quench nozzle	
						-	1		8612.0102	quench nozzle complete (pos. 26, 27, 50, 28, 29, 30)	

Bottom (Lower elevation)

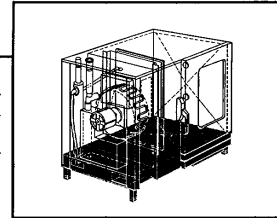
Voltage	Group	Page	Edition	Application from Serial. No.
3 N AC 380V 50Hz	10	10.1	10.1.5	11M92051614



Pos.Pcs.	Sp.	Part No.	Description	Sign.	Pos.Pcs.	Sp.	Part No.	Description	Sign.
-	1	8612.0102	quenching nozzle cpl. (pos. 1,2,3,4,5,7)		30				
1	1	2016.0900	quenching nozzle		31	1	3002.0311	triple solenoid valve cpl.	
2	1	2070.0020	gasket		32	1	3002.0315	body for triple solenoid valve	
3	1	2580.600594	washer		33	1	2580.721120	holding bracket	
4	1	5012.0532	O-ring		34	2	2016.0867	socket for flow regulator	
5	1	2070.0021	cover		35	1	1900.0101	flow regulator green for quenching	
6	6	1106.0801	hex-combi-nut M6		36	1	1900.0102	flow regulator red for steam generator filling	
7	1	2062.0102	hose fitting G3/8"		37	1	3002.0304	double solenoid valve cpl. (option)	
8	9	2066.0205	hose clamp 12-18mm		38				
9	1	2067.0126	pressure hose 100mm long		39	1	3002.0305	single solenoid valve cpl. (option)	
10	1	2062.0302	T-fitting		40				
11	1	2067.0103	pressure hose 660mm long						
12	1	2067.0153	pressure hose 950mm long						
13	1	2016.0873	plug for pump connection						
14	1	2066.0517	hose clamp 18,2mm						
15	1	2022.0110	pump connection						
16	1	2066.0516	hose clamp 60-80mm						
17	1	2066.0519	hose clamp 35,5mm						
18	2	1006.1960	hexagon cap screw M6x16						
19	2	1306.0120	washer A6,4						
20	1	3002.1000	discharging pump	M2					
21	1	3016.1403	door switch	S2					
22	4	2039.0100	foot adjustable						
23	1	2067.0120	pressure hose 1420mm long						
24	1	2067.0124	pressure hose 1300mm long						
25	12	4006.0203	hose clamp						
26	9	4006.0201	cable clamp						
27	1	8801.0206	terminal box						
28	4	1105.0122	hex-combi-nut M5						
29	1	2070.0038	drain system cpl.						

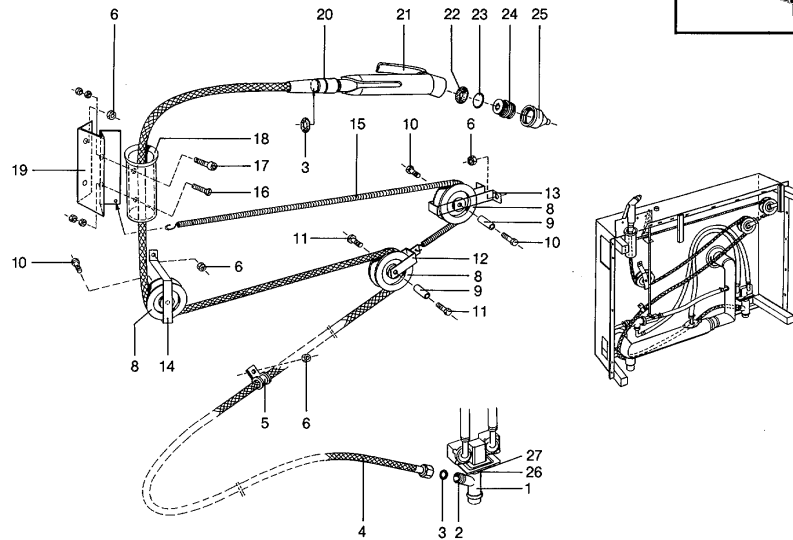


Pos.	St.	Ersatz.Nr.	Bezeichnung	Description
Pos.	Pcs.	Sp. Part No.		
-	-	2067.0050	Druckschlauch NW10 1 lfm.	Pressure hose NW10 per meter
-	1	8612.0102	Ablöschdüse kpl. unten	Quench nozzle cpl. down
1	1	2016.0900	Ablöschdüse CM 101	Quenching nozzle
2	1	2070.0020	Dichtung für Ablöschung	Gasket for quenching
3	1	2580.600594	Scheibe für Ablöschdüse	washer for quench.nozzle
4	1	5012.0532	O-Ring Ablöschung	O-ring quenching nozzle
5	1	2070.0021	Deckel für Abloschung	Holding cover for quenching nozzle
6	1	2062.0102	Schlauchtülle G3/8"	Hose fitting G 3/8"
7	9	2066.0205	Schlauchschelle 12-18 mm	Hose clamp 12-18 mm
8	1	2062.0302	T-Stück TS 10	T-fitting TS10
9	1	2016.0873	Stopfen für Pumpenanschluß	Plug for pump connection
10	1	2066.0517	Schlauchklemme 18,2mm	Hose clamp 18,2mm
11	1	2022.0110	Pumpenanschluss ab 04/91	Pump connection from 04/91
12	1	2066.0516	Schlauchschelle 60-80mm	Hose clamp 60x80 mm
13	1	2066.0519	Schlauchklemme d 35,6 mm	Hose clamp 35,6mm
14	1	3002.1000	Entleerungspumpe 200-240 V, 50/60 Hz	Emptying pump 200-240V 50/60 Hz
15	1	3016.1415	Türkontaktschalter	Door contact switch
16	4	2039.0100	Kunststoff-Einsteckfuß	Foot adjustable plastic
17	1	8801.0206	Anschlußkasten kpl.	Terminal box cpl.
18	1	2070.0038	Abflußsystem Typ 101 ab 04/91	Drain cpl. type 101 from 04/91
19				
20	1	3002.0311	Dreifachmagnetventil kpl. Classic	Triple solenoid valve cpl. Classic
21				
22	1	2580.721120	Haltewinkel für Zweifachmagnetventil ab 04/91	Bracket for double solenoid valve from 04/91
23	2	2016.0867	Aufnahme für Durchflußmengenregler	Socket for flow controller
24	1	1900.0101	Durchflußmengenregler grün, Typ 101	Flow controller green
25	1	1900.0102	Durchflußmengenregler rot, Typ 201	Flow controller red
26	-	3002.0304	Doppelmagnetventil kpl. (Option)	Double solenoid valve cpl. (option)
27				
28	-	3002.0305	Einfachmagnetventil kpl. (Option)	Single solenoid valve cpl. (option)
29				
			ab Seriennummer 11M9603XXXX	from serial. no. 11M9603XXXX
30	1	8621.0100	Fittingsatz Wasseranschluß	Fitting set water connection
31	1	3002.0330	Doppelmagnetventil kpl.	Double solenoid valve cpl.
32	1	3002.0331	Einfachmagnetventil kpl.	Single solenoid valve cpl.



Bottom (Hand Shower)

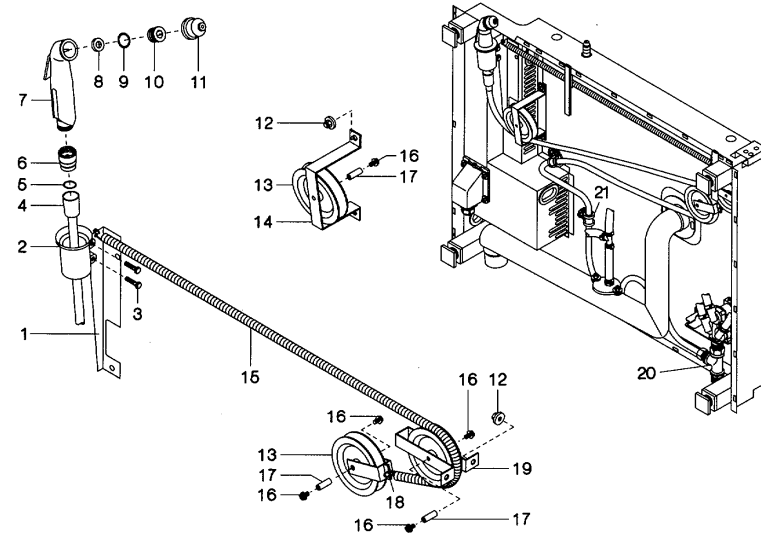
Component Group	Page	Edition	applicable from Serial No.
10	10.2	10.2.1	11M 89 04 1210



Pos.	Pcs.	Sp.	Part No.	Description	Sign	Pos.	Pcs.	Sp.	Part No.	Description	Sign
1	1		2036.0501	T-fitting 1/2"		-	1		8630.0105	holder 2 complete	
2	1		2062.0103	reducing nipple						(pos. 8,10,14)	
3	2		5012.0536	gasket							
4	1		2067.0600	shower hose with gasket							
5	1		2066.0510	hose clip							
6	7		1106.0801	hex combi nut							
8	3		2060.0112	hose reel							
9	2		2060.0115	axle							
10	3		1005.2000	ratchet safety screw							
				M 5x8							
11	5		1005.0126	countersunk head screw							
				M 5x6							
12	1		8060.0103	bow, welded							
13	1		2510.640687	holder 3							
14	1		8630.0101	holder 2, welded							
15	1		2002.0400	tension spring							
16	1		1004.0430	hex screw M 4x16							
17	1		1004.0664	hex socket head cap screw							
				M 4x16							
18	1		2060.0111	tulip		from 11M89092056:			2060.0116		
19	1		2510.590742	holder 1		from 11M89092056:			2510.590845		
20	1		2060.0110	revolving joint							
21	1		2060.0100	hand shower with guide							
				complete							
22	1		2060.0218	gasket for hand shower							
23	1		2060.0217	O-ring gasket							
24	1		2060.0216	head screw							
25	1		2060.0215	mouthpiece							
26	1		2036.0101	reducing nipple 1/2"x 3/4"							
27	1		5012.0529	gasket							
-	1		8630.0108	bow complete							
-	1		8630.0106	holder 3 complete							
				(pos. 8,9,10,13)							

Bottom (Hand Shower)

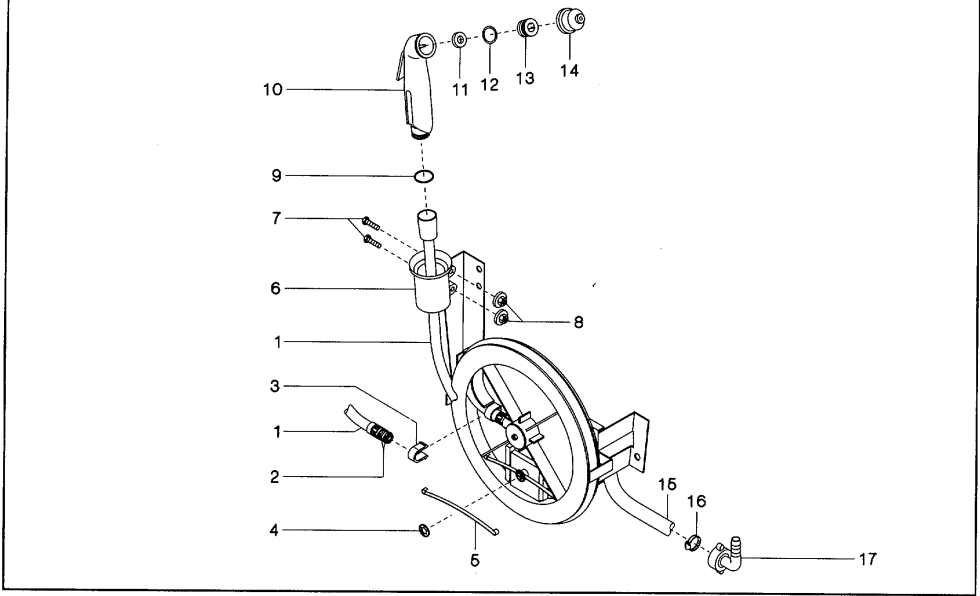
Voltage	Group	Page	Edition	Application from Serial. No.
3 N AC 380V 50Hz	10	10.2	10.2.2	11M92051614



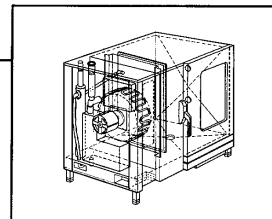
Pos.Pcs.	Sp.	Part No.	Description	Sign.
-	1	8630.0120	holder 2 cpl. (pos. 13,14,16,17)	
-	1	8630.0105	holder 3 cpl. (pos. 13,16,17,19)	
-	1	8630.0108	bow cpl. (pos. 13,16,17,18)	
1	1	2510.591415	holder for tulip	
2	1	2060.0121	tulip	
3	2	1008.0751	hexagon cap'screw M5x25	
4	1	2067.0600	shower hose	
5	2	5012.0536	gasket for shower hose	
6	1	2060.0110	revolving joint	
7	1	2060.0100	hand shower cpl. (incl. pos. 8,9,10,11)	
8	1	2060.0218	gasket	
9	1	2060.0217	O-ring	
10	1	2060.0216	head screw	
11	1	2060.0215	mouthpiece	
12	9	1106.0801	hex-combi-nut M6	
13	3	2060.0112	hose reel	
14	1	8630.0121	holder 2 welded	
15	1	2002.0400	tension spring	
16	5	1005.2000	safety screw M5x8	
17	2	2060.0115	axle	
18	1	8630.0103	bow, welded	
19	1	2510.640687	holder 3	
20	1	8630.0109	T-connection pice cpl.	
21	2	2066.0510	hose clamp	

Bottom (Hand Shower)

Voltage	Group	Page	Edition	Application from Serial. No.
3 N AC 380V 50Hz	10	10.2	10.2.3	11M93011001



Pos.	Pcs.	Sp.	Part No.	Description	Sign.
-	1		8410.1013	hand shower roll guide kpl.	
1	1		2067.0605	shower hose	
2	2		2060.0228	gasket for shower hose	
3	1		2060.0152	climp for shower hose	
4	1		2001.0203	lock washer	
5	1		2001.0202	fastening spring	
6	1		2060.0121	tulip	
7	2		1008.0751	hex screw M5x25	
8	2		1105.0122	hex-combi-nut M5	
9	1		5012.0536	gasket for shower hose	
10	1		2060.0100	hand shower cpl. (incl. pos. 11,12,13,14)	
11	1		2060.0218	gasket	
12	1		2060.0217	O-ring	
13	1		2060.0216	head screw	
14	1		2060.0215	mouthpiece	
15	1		2067.0060	pressure hose 900mm long	
16	2		2066.0205	hose clamp 12-18mm	
17	1		2062.0203	threaded pipe angle G3/4"	



Miscellaneous

Pos.	Pcs.	Sp. Part No.	Description	Sign
1	1	8801.0995	interior wiring (wiring harness)	
2	100	4002.0100	cable shoes 2,5 x 6,3	
3	100m	8801.1000	silicone wire, coloured 1,5 mm ² , (indicate colour)	
4	10m	4015.0202	fibre glass, black 1,5 mm ²	
5	10m	4015.0201	fibre glass, blue 1,5 mm ²	
6	1	9009.1000	high heat paste (tube)	
7		5006.0200	silicone (tube)	
8	1	2019.0101	black plastic knob for transport trolley	
9	2	2005.0401	castor without brake for transport trolley	
10	2	2005.0402	castor with brake for transport trolley	
11	1	8400.3002	handle for mobile oven rack	
12		1603.0164	pop rivet 3,2 x 10	
13		1004.2160	hex head tapping screw B 4,2 complete with washer V 2 A	
14		1104.0821	climp V 2 A	
15		2001.0040	loctite, heat resistant 10 ml	
16		9006.0850	stainless steel cleaner paste	