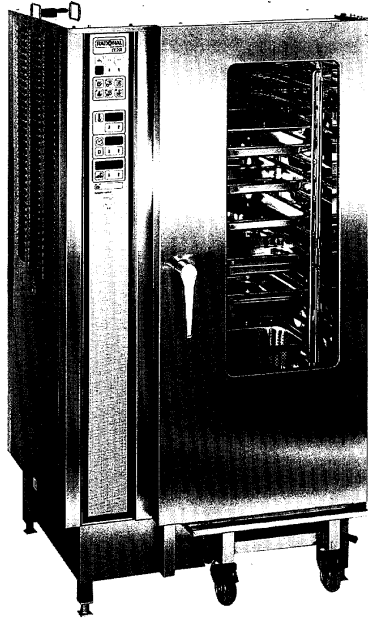


**RATIONAL** Spare Parts List



**RATIONAL**  
Combi-Steamer CC 201

- Important:**  
Please use only  
Original **RATIONAL** Spare Parts.  
When ordering Spare Parts  
please do always indicate:
- Unit Number
  - Spare Part Number
  - Spare Part Description

All rights reserved.

**Control Panel**

---

**Electrical Installation**

---

**Steam Generator**

---

**Hot Air Heating**

---

**Motor and Fan Wheel**

---

**Interior Cabinet**

---

**Door**

---

**Bottom (Top elevation)**

---

**Bottom (Lower elevation)**

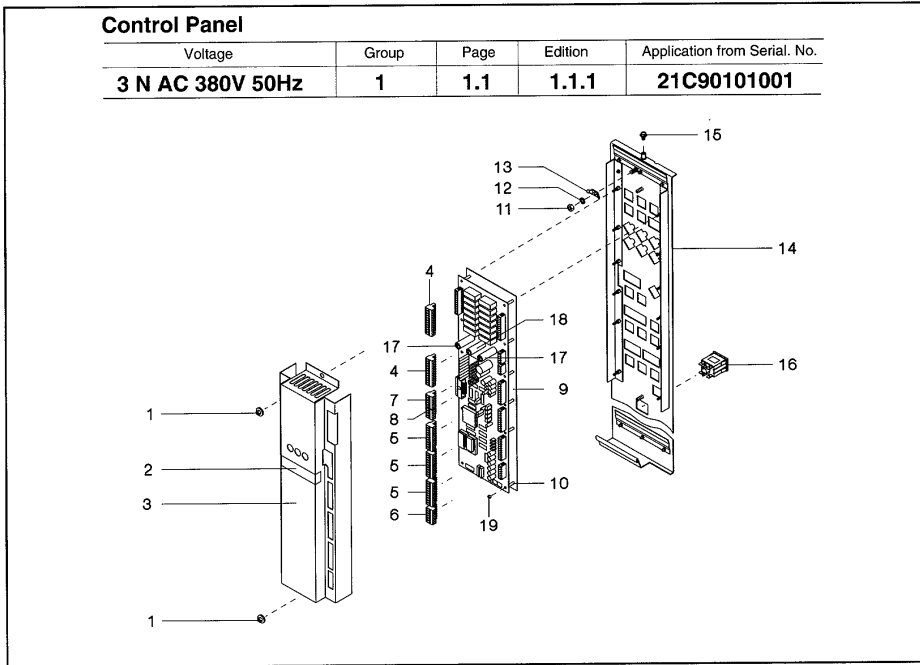
---

**Bottom (Hand Shower)**

---

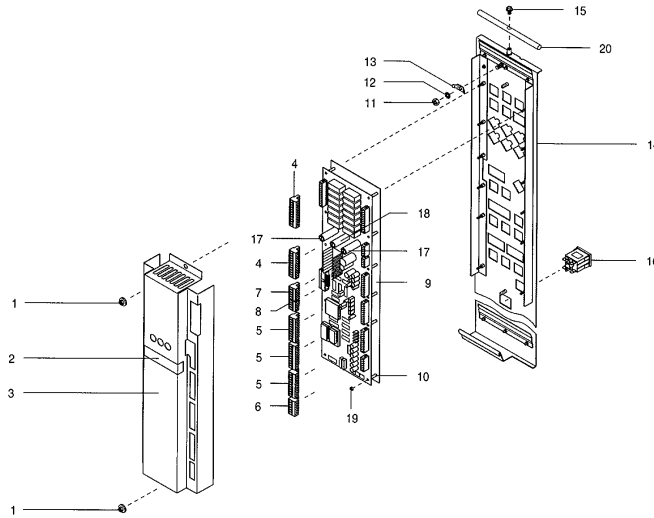
**Miscellaneous**

---



Pos.	Pcs.	Sp.	Part No.	Description	Sign.
1	2		1105.0122	hex-combi-nut M5	
2	1		4019.0017	pressure sensitive for cover	
3	1		8401.0021	cover for CC-pcb	
4	2		3040.0198	multipoint connector BL11	
5	3		3040.0197	multipoint connector BL10	
6	1		3040.0196	multipoint connector BL6	
7	1		3040.0195	multipoint connector BL5	
8	1		3040.0194	multipoint connector BL4	
9	1		3040.2020	pcb-CC cpl.	A1
10	12		1403.0165	hexagon bolt M3x15	
11	1		1106.0160	hex nut M6	
12	1		1206.0120	toothhead lock washer A6,4	
13	1		4002.0110	branch plug	
14	1		8600.0900	front panel with control panel	
15	1		1005.2000	safety screw M5x8	
16	1		3016.1430	main switch	S1
17	2		3019.0113	fuse 1,6A	A1/F1,A1/F3
18	2		3019.0119	fuse 1A	A1/F2,A1/F4
19	12		1403.0164	hex nut M3x5	

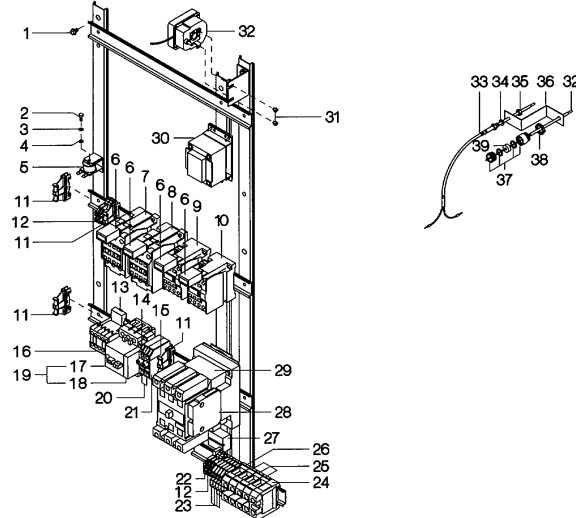
<b>Bedienblende</b>	Spannung	Baugruppe	Ausgabe	gültig ab Seriennummer
<b>Control Panel</b>	Voltage	Group	Edition	Applicable from Serial.No.
	3 N AC 400V 50Hz	1	1.1.2	21C96011001



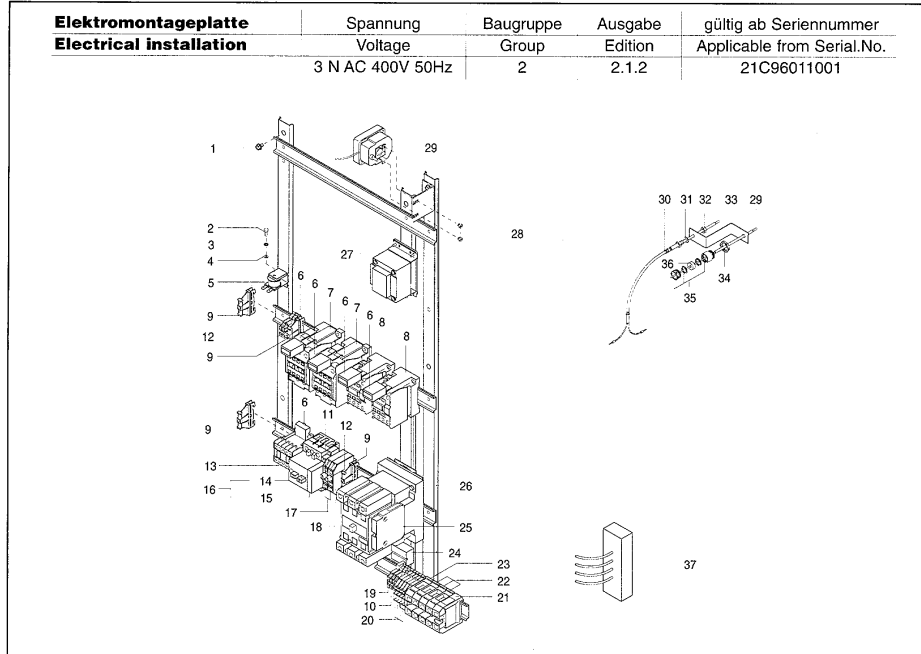
Pos.	St.	Ersatz-Nr.	Bezeichnung	Description
Pos.	Pcs.	Sp. Part No.		
1	2	1105.0122	Sechskant-Combi-Mutter M5	Hex combination nut M5
2	1	4019.0017	Aufkleber für Abdeckung	Pressure sensitive for cover
3	1	8401.0021	Abdeckung CC-Platine	Cover for CC-pcb
4	2	3040.0198	Steckerleiste BL 11 CC-Platine	Multipoint connector BL11 CC PCB
5	3	3040.0197	Steckerleiste BL 10 CC-Platine	Multipoint connector BL10 CC PCB
6	1	3040.0196	Steckerleiste BL 6 CC-Platine	Multipoint connector BL6 CC PCB
7	1	3040.0195	Steckerleiste BL 5 CC-Platine	Multipoint connector BL5 CC PCB
8	1	3040.0194	Steckerleiste BL 4 CC-Platine	Multipoint connector BL4 CC PCB
9	1	3040.2020	Regel-u. Steuerelektronik CC	PCB type CC
10	12	1403.0165	Abstandsbolzen M3x15	Space bolt M3x15
11	1	1106.0160	Sechskantmutter M6	Hex nut M6
12	1	1206.0120	Zahnscheibe A6,4	Toothed lock washer A6,4
13	1	4002.0110	Steckverteiler 2-fach, 100 Stk.	Cable connector, junction, 100 ea
14	1	8600.0900	Frontplatte mit Blende	Front panel with overlay
15	1	1005.2000	Sperrzahnschraube M5x8	Interlocking tooth screw M5x8
16	1	3016.1430	Druckschalter Ein/Aus Typ CC	Main switch type CC
17	2	3019.0113	Feinsicherung 5x20 1,6A	Fuse 1,6 A
18	2	3019.0119	Feinsicherung 5x20 1,0A	Fuse 1A
19	12	1403.0164	Sechskantmutter M3x5	Hex nut M3x5
20	1	5012.0556	Dichtung für Bedienblende	Front panel gasket

**Electrical Installation**

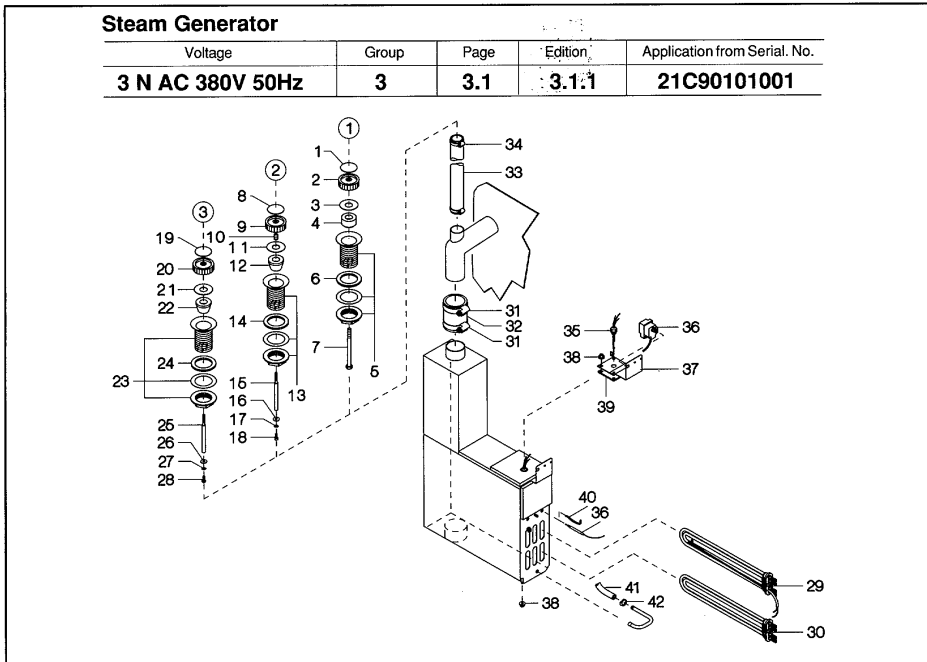
Voltage	Group	Page	Edition	Application from Serial. No.
3 N AC 380V 50Hz	2	2.1	2.1.1	21C90101001



Pos.	Pcs.	Sp.	Part No.	Description	Sign.	Pos.	Pcs.	Sp.	Part No.	Description	Sign.
1	6		1005.2000	safety screw M5x8		31	2		1004.0060	slotted pan head screw M4x4	
2	1		1004.0660	hex socket head screw M4x10		32	1		3014.0310	bi-limit safety thermostat 360°C	F3
3	1		1204.0120	toothed lock washer A4,3		33	1		3014.0151	interior cabinet sensor	
4	1		1304.0160	washer A4,3		34	1		1315.0101	copper washer	
5	1		3006.0101	alarm buzzer	T1	35	1		1106.0160	hex nut M6	
6	4		3035.0515	RC-link	C1-C4	36	1		2520.400212	holding angle	
7	1		3028.0512	contactor part load steam	K5	37	1		4007.0600	cable connection PG9	
8	1		3028.0512	contactor part load steam	K6	38	1		4007.0601	hex nut PG9	
9	1		3028.0508	contactor part load hot air	K3	39	1		2022.0100	gasket	
10	1		3028.0508	contactor part load hot air	K4						
11	4		4001.1203	end plate							
12	4		4001.1216	terminal block 4mm grey							
13	1		3035.0515	RC-link	R25						
14	1		3019.0120	fuse 2A	F1						
15	1		3019.0400	fuse 0,5A	F5						
16	1		3028.0506	motor contactor	K2						
17	-		3031.0107	motor protector							
18	-		3031.0102	auxiliary contact for F2							
19	1		3031.0103	motor protector cpl.	F2						
20	2		4001.1228	fuse holder	F1,F5						
21	1		4001.1227	cover for fuse holder							
22	1		4001.1222	earth terminal 4mm							
23	6		4001.1176	terminal block							
24	1		4001.1233	earth terminal 35mm							
25	3		4001.1206	terminal block 35mm grey							
26	1		4001.1252	terminal block 35mm blue							
27	1		3035.0509	RC-link	C5						
28	1		3028.0520	auxiliary contact for K1							
29	1		3028.0513	main contactor	K1						
30	1		3037.0210	transformer 220V	T2						

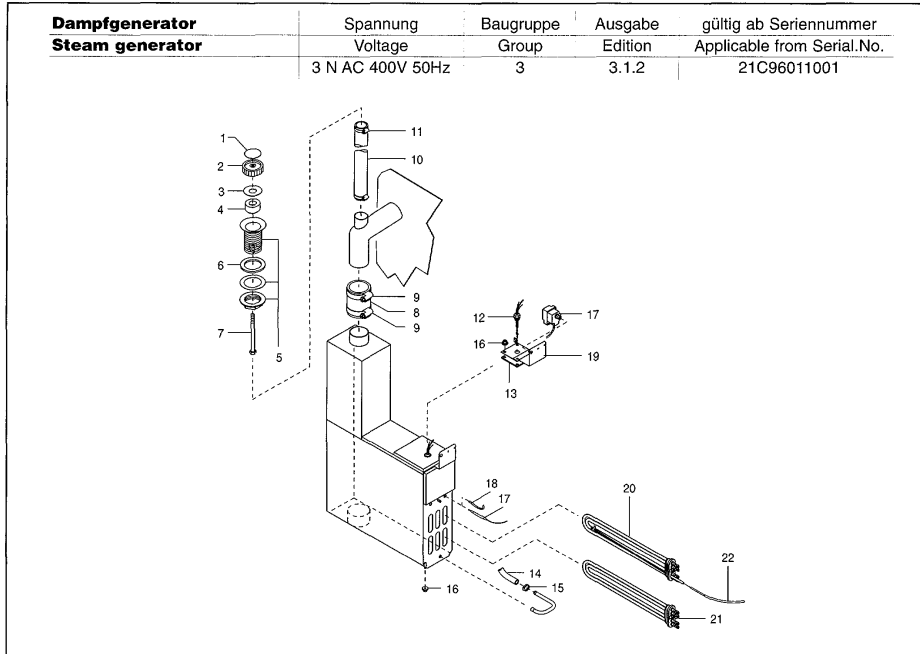


Pos.	St.	Ersatz-Nr.	Bezeichnung	Description
Pos.	Pcs.	Sp. Part No.		
1	6	1005.2000	Sperrzahnschraube M5x8	Interlocking tooth screw M5x8
2	1	1004.0660	Zylinderschraube mit Innensechskant M4x10	Hex socket head screw M4x10
3	1	1204.0120	Zahnscheibe A4,3	Toothed lock washer A4,3
4	1	1304.0160	Unterlegscheibe A4,3 DIN125	Washer A4,3 DIN125
5	1	3006.0101	Alarmsummer, 230 V	Buzzer, 230 V
6	7	3035.0515	RC-Glied LS 4-37	RC-link LS 4-37
7	2	3028.0512	Schütz LS 37.00 200-240V 50/60Hz	Contactator LS 37.00 200-240V 50/60Hz
8	2	3028.0508	Schütz LS 17.10 200-240V 50/60Hz	Contactator LS 17.10 200-240V 50/60Hz
9	4	4001.1203	Endklammer für Tragschiene	End plate for mounting rail
10	4	4001.1216	Reihenklammer 4qmm grau	Terminal 4qmm grey
11	1	3019.0120	Feinsicherung 5x20 2,0A	Fuse 2A
12	1	3019.0400	Feinsicherung 5x20 0,5A	Fuse 0,5A
13	1	3028.0506	Schütz LS 04.10 200-240V 50/60Hz	Contactator LS 04.10 200-240V 50/60 Hz
14	1	3031.0107	Motorschutzschalter 1,6-2,5A	Motor protector 1,6-2,5
15	-	3031.0102	Hilfskontakt NHi 10 für PKZ	Auxiliary contact for motor protector NHi 10
16	-	3031.0103	Motorschutzschalter 1,6-2,5 A, mit Hilfskontakt	Motor protector 1,6-2,5A, with auxiliary contact
17	2	4001.1228	Reihen-Sicherungsklemme	Fuse holder terminal block
18	1	4001.1227	Endplatte für Reihen-Sicherungsklemme	End plate for fuse holder
19	1	4001.1222	Erdungsklemme 4qmm	Terminal block yellow/green 4 qmm
20	6	4001.1176	Reihenverteiler	Terminal block plug type
21	1	4001.1233	Erdungsklemmen 35qmm gelb-grün	Terminal block yellow/green 35qmm
22	3	4001.1206	Reihenklammer 35qmm grau	Terminal block 35qmm grey
23	1	4001.1252	Reihenklammer 35qmm blau	Terminal block, blue 35 qmm
24	1	3035.0509	RC-Glied Summer	RC-link buzzer
25	1	3028.0520	Hilfskontakt HS 107 für Schütz LS 47 - LS 57	Auxiliary contact switch HS 17.01
26	1	3028.0513	Schütz LS 47.00 200-240V 50Hz	Contactator LS 47.00 200-240V 50Hz
27	1	3037.0210	Netztrafo LM-TR1 220V Typ CC	Transformer LM-Tr1 220V
28	2	1004.0060	Zylinderschraube mit Schlitz M4x4	Slotted pan head screw M4x4
29	1	3014.0310	Sicherheitstemperaturbegrenzer 360°C	Bi-limit safety thermostat 360°C classic
30	1	3014.0151	Einschraubfühler Garraum, PT 100	Sensor for interior cabinet, PT 100
31	1	1315.0101	Kupferdichtung 6x10	Copper washer 6x10 mm
32	1	1106.0160	Sechskantmutter M6	Hex nut M6
33	1	2520.400212	Haltewinkel für Fühler Garraum	Holding bracket for sensor interior cabinet
34	1	4007.0600	Kabelverschraubung PG 9 Metall	Cable connection PG9
35	1	4007.0601	Sechskantmutter für PG9 Metall	Lock nut for cable connection PG 9
36	1	2022.0100	Silikon durchführung rot 15x4mm	Silicone gasket red
37	1	3001.0452	Entstörfilter	Electronic noise filter



3

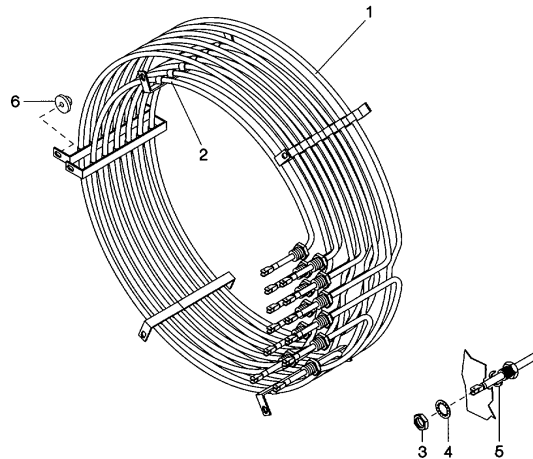
Pos.Pcs.	Sp.	Part No.	Description	Sign.	Pos.Pcs.	Sp.	Part No.	Description	Sign.
-	1	8450.0200	safety valve cpl (version 1)		-	1	8300.0088	steam generator cpl.	
					29	1	3004.4304	heating element 2x3kW thermocouple	
<b>version 1</b>									
1	1	2049.0800	cover plate, aluminium		30	5	3004.4302	heating element 2x3kW	
2	1	2020.0301	plastic handle		31	2	2066.0505	hose clamp 70-90mm	
3	1	5012.0526	gasket		32	1	2067.0401	steam hose 95mm long	
4	1	2026.0201	cone		33	1	2067.0205	steam hose 580mm long	
5	1	5012.0527	gasket		34	2	2066.0504	hose clamp 40-60mm	
6	1	2064.0100	valve body		35	1	3002.0402	filling-level electrode 90mm	S4
7	1	1008.0764	hex screw M8x110		36	1	3014.0300	protector against running dry	F5
<b>version 2</b>									
8	1	2049.0800	cover plate, aluminium		37	1	2520.311089	holding angle	
9	1	2020.0301	plastic handle		38	5	1106.0801	hex-combi-nut M6	
10	1	2026.0301	plastic insert		39	1	5012.0537	gasket	
11	1	5012.0526	gasket		40	1	2544.101230	clamping plate	
12	1	2026.0200	cone		41	1	2067.0110	pressure hose 360mm long	
13	1	5012.0527	gasket		42	1	2062.0205	hose clamp 12-18mm	
14	1	2064.0100	valve body						
15	1	2026.0400	guide bar						
16	1	1305.0260	washer A5,3						
17	1	1205.0360	spring washer A5,3						
18	1	1005.0660	hex socked head screw M5x12						
<b>version 3</b>									
19	1	2049.0800	cover plate, aluminium						
20	1	2020.0300	plastic handle						
21	1	5012.0526	gasket						
22	1	2026.0200	cone						
23	1	5012.0527	gasket						
24	1	2064.0100	valve body						
25	1	2026.0400	guide bar						
26	1	1305.0260	washer A5,3						
27	1	1205.0360	spring washer A5,3						
28	1	1005.0660	hex socked head screw M5x12						



Pos.	St.	Ersatz.Nr.	Bezeichnung	Description
Pos.	Pcs.	Sp. Part No.		
-	1	8300.0088	SC-Dampfgenerator kpl.400V	SC-steam generator cpl. 400V
-	1	8450.0200	Sicherheitsventil komplett Typ 201/20	Safety valve for type 201/20
1	1	2049.0800	Alu-Deckschild für Sicherheitsventil	Cover plate aluminum for safety valve
2	1	2020.0301	Griffscheibe Sicherheitsventil	Plastic-handle for safety-valve
3	1	5012.0526	Dichtung für Sicherheitsventil	Gasket for safety valve
4	1	2026.0201	Verschlußkegel Sicherheitsventil	Cone for safety valve
5	1	2064.0101	Einfüllstutzen Typ 201/20	Safety valve housing type 201/20
6	1	5012.0527	Dichtung für Sicherheitsventilgehäuse	Gasket for safety valve housing
7	1	1008.0764	Sechskantschraube M8x110 f.Griffscheibe	Hex screw M8x110 for safety valve
8	1	2067.0401	Druckschlauch NW60 120mm lang	Steam hose NW60 120mm long
9	2	2066.0505	Schlauchschele 70-90mm	Hose clamp 70-90mm
10	1	2067.0205	Dampfschlauch NW42 580 mm lang	Steam hose 580mm long
11	2	2066.0504	Schlauchschele 40-60mm	Hose clamp 40-60mm
12	1	3002.0402	Füllstandselektrode 90mm Typ 101/201/20	Filling level electrode 90 mm type 101/201/20
13	1	5012.0537	Dichtung für Füllstandselektrode	Gasket for filling-level electrode
14	1	2067.0110	Druckschlauch NW10 360 mm lang	Pressure hose 360 mm long
15	1	2066.0205	Schlauchschele 12-18 mm	Hose clamp 12-18 mm
16	5	1106.0801	Sechskant-Combi-Mutter M6	Hex combination nut M6
17	1	3014.0300	Trockengehschutz 125°C	Dry up protector 125°C
18	2	2544.101230	Klemmblech Dampfgenerator	Clamping plate thermostat steam generator
19	1	2520.311089	Halterung für Trockengehschutz	Holder for dry up protector
20	1	3004.4157	Tauchheizkörper 2x3kW 400V mit Fühlerrohr	Heating element 2x3kW 400V with sensor pipe
21	5	3004.4302	Tauchheizkörper 2x3kW 400V	Heating element 2x3KW 400V
22	1	3014.0165	Thermoelement Dampfgenerator	Thermo element steam generator

**Hot Air Heating**

Voltage	Group	Page	Edition	Application from Serial. No.
3 N AC 380V 50Hz	4	4.1	4.1.1	21C90101001

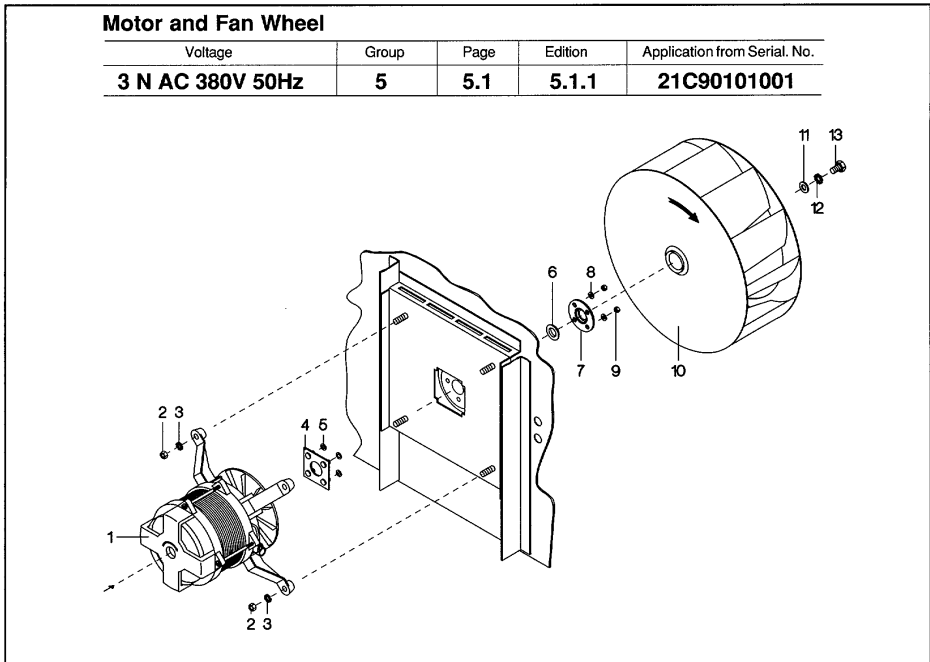


4

Pos.	Pcs.	Sp.	Part No.	Description	Sign.
-	2		3004.3520	heating assembly cpl.	
1	2		3004.3530	heating assembly big	
2	2		3004.3531	heating assembly small	
3	24		3004.1406	hex nut M14	
4	24		3004.1405	toothhead lock washer	
5	24		3004.1404	copper washer	
6	12		1106.0801	hex-combi-nut M6	

**Motor and Fan Wheel**

Voltage	Group	Page	Edition	Application from Serial. No.
3 N AC 380V 50Hz	5	5.1	5.1.1	21C90101001

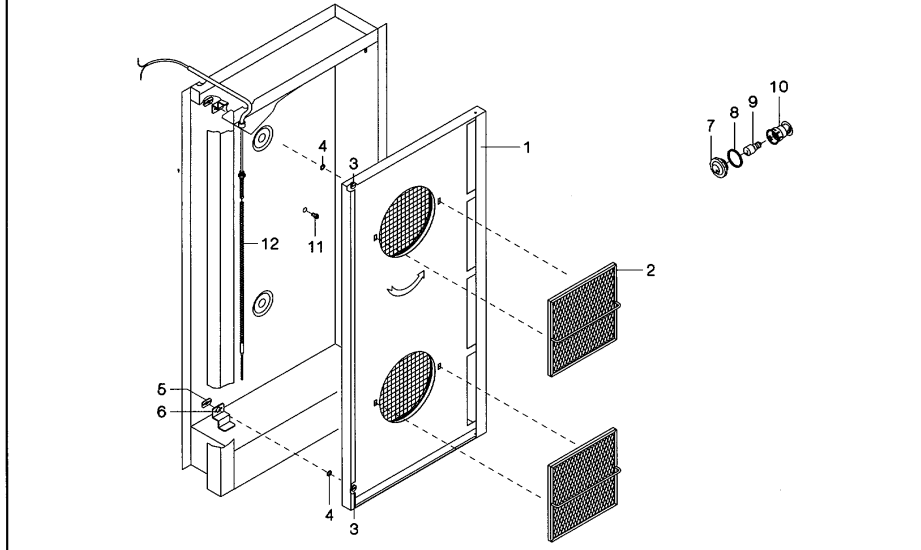


5

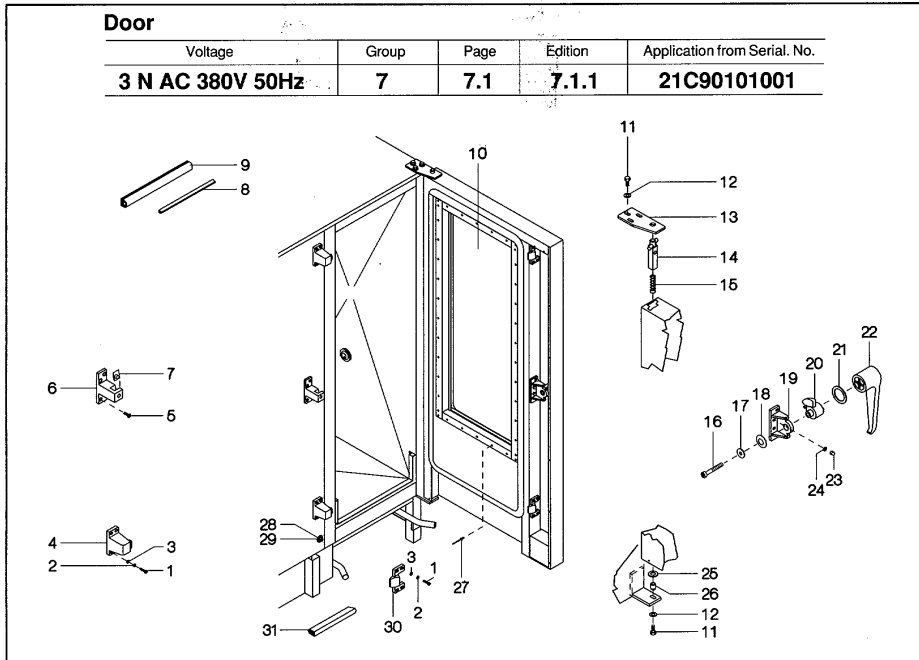
Pos.	Pcs.	Sp.	Part No.	Description	Sign.
1	2		3001.0426	motor	M1
2	8		1108.0260	hex nut M8	
3	8		1208.0160	toothed lock washer A8,4	
4	2		8506.0104	holder plate	
5	8		1315.0101	copper washer	
6	2		5001.0207	motor gasket	
7	2		2016.0876	gasket flange	
8	8		1306.0120	washer A6,4	
9	8		1106.0220	hex nut M6 flat	
10	2		2012.0500	fan wheel	
11	2		1310.0160	washer A10,5	
12	2		1210.0160	toothed lock washer A10,5	
13	2		1010.0760	hex screw M10x16	

**Interior Cabinet**

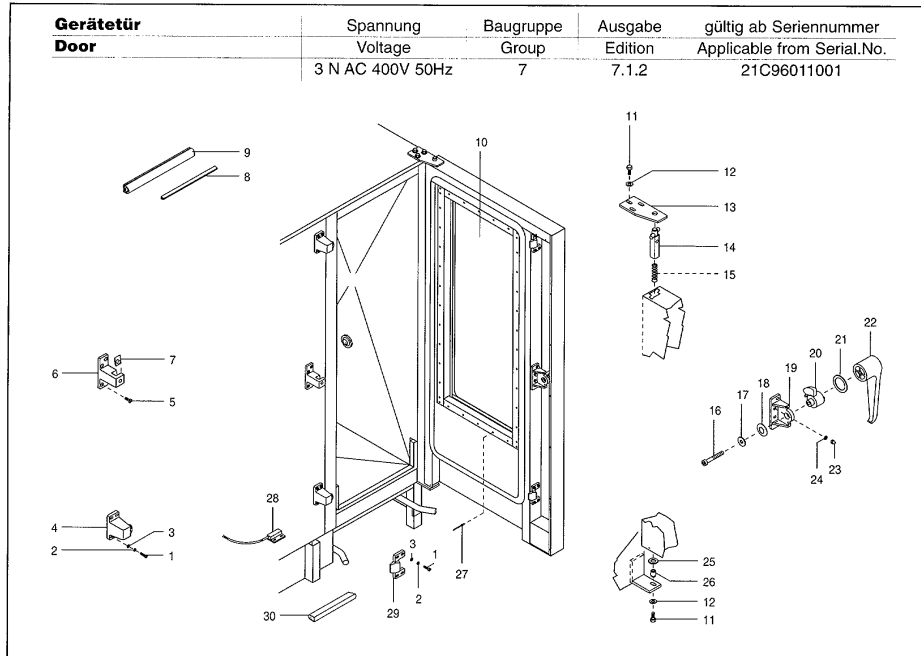
Voltage	Group	Page	Edition	Application from Serial. No.
3 N AC 380V 50Hz	6	6.1	6.1.1	21C90101001



Pos.	Pcs.	Sp.	Part No.	Description	Sign.
-	2		3023.0501	interior lamp cpl.	
1	1		8011.1212	air baffle cpl.	
2	2		2010.0710	fat filter	
3	2		2043.0201	locking pin	
4	2		2043.0203	holder plate for quick acting closure	
5	2		2043.0202	locking tappet	
6	4		1604.0162	rivet 4x9mm	
7	2		3025.0002	lamp lens	
8	2		5012.0535	gasket	
9	2		3024.0200	bulb, heat resistant	
10	2		3023.0506	socket for interior lamp	H1,H2
11	1		2035.0111	nozzle for moistening	
12	1		3035.0608	sensor core temperature	



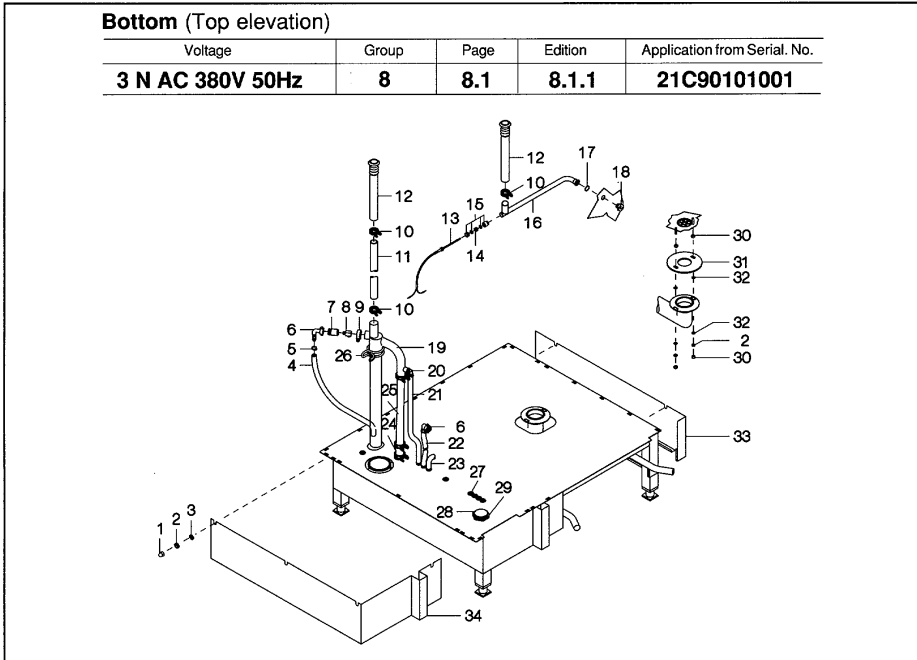
Pos.	Pcs.	Sp.	Part No.	Description	Sign.	Pos.	Pcs.	Sp.	Part No.	Description	Sign.
-	1		8202.11100489	door cpl.		28	1		3016.1403	door switch	S2
-	1		2016.1400	door lock cpl. (pos.16,17,18,19,20,21,22)		29	1		4016.0500	grommet	
1	16		1005.0661	hex socket head screw M5x20		30	2		2016.1300	ball catch male	
2	16		1205.0360	spring washer A5,3		31	1		5012.0550	set gasket for HGW	
3	16		1305.0260	washer A5,3							
4	2		2016.0604	ball catch female							
5	4		1006.1960	socket countersunk head cap screw M6x16							
6	1		2016.0603	door catch							
7	1		2016.0605	plastic insert							
8	1		5012.0203	set gasket for door window							
9	1		5012.0701	set door gasket							
10	1		5015.0803	door window							
11	4		1008.0763	hexagon cap screw M8x20							
12	4		1310.0160	washer A10,5							
13	1		2680.960168	door holder plate							
14	1		2016.0866	locking bolt							
15	1		2001.0106	compression spring							
16	1		2016.1456	socket countersunk head cap screw M10x70							
17	1		2016.1454	washer A10,5							
18	1		2016.1455	disc spring d20,5							
19	1		2016.1457	mounting base							
20	1		2016.1452	cam							
21	1		2016.1453	plastic washer							
22	1		2016.1450	door handle							
23	4		1306.0120	washer A6,4							
24	4		1106.0360	hex cap nut M6							
25	1		2031.0900	washer							
26	1		2016.0802	door bolt							
27	50		1603.0165	rivet 3,2x9,5							



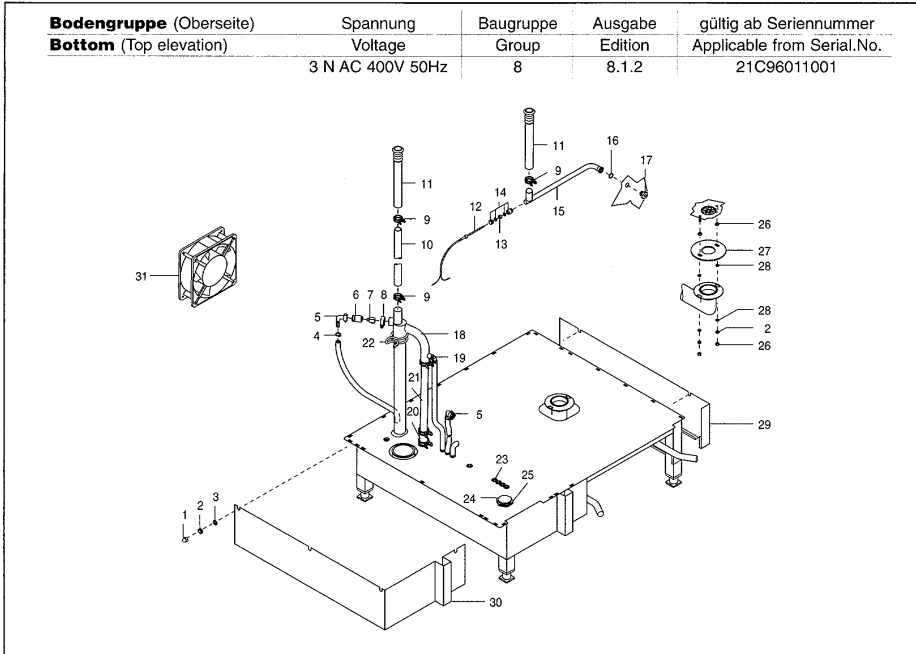
Pos.	St.	Ersatz.Nr.	Bezeichnung	Description
Pos.	Pcs.	Sp. Part No.		
-	1	8202.15000489	Türe kpl. Typ 201	Door cpl. type 201
-	1	2016.1400	Türschloß kpl.	Door lock cpl.
1	16	1005.0661	Zylinderschraube mit Innensechskant M5x20	Hex socket head screw M5x20
2	16	1205.0360	Federring d5	Spring-washer d5
3	16	1305.0260	Unterlegscheibe A5,3 DIN9021	Washer A5,3 DIN9021
4	2	2016.0604	Schließblock	Ball catch
5	4	1006.1960	Senkschraube mit Innensechskant M6x16	Hex socket countersunk head screw M6x16
6	1	2016.0603	Schließkloben	Door catch
7	1	2016.0605	Kunststoffeinsatz für Schließkloben	Plastic insert for door catch
8	1	5012.0203	Satz Dichtung für Scheibe 5,4 m Typ 201	Set window gasket 5,4 m type 201
9	1	5012.0701	Satz Türdichtung Typ 201	Set door gasket for type 201
10	1	5015.0803	Glasscheibe Typ 201	Door window
11	4	1008.0763	Sechskantschraube M8x20	Hex screw M8x20
12	4	1310.0160	Unterlegscheibe A10,5	Washer A 10,5
13	1	2680.960168	Türhalteplatte ab 04/89	Bracket top for door
14	1	2016.0866	Rastknebel für Türe	Door stopping bolt cpl.
15	1	2001.0106	Druckfeder Tür ab 04/89	Compression spring door
16	1	2016.1456	Zylinderschraube mit Innensechskant M10x70	Hex socket head screw M10x70
17	1	2016.1454	Unterlegscheibe A10,5 für Türschloß	Washer A10,5 for door lock
18	1	2016.1455	Tellerfeder A40x20 für Türschloß	Disc spring A40x20 for door lock
19	1	2016.1457	Lagerbock	Mounting base
20	1	2016.1452	Schnecke	Cam
21	1	2016.1453	Kunststoffscheibe f. Türschloß	Plastic washer
22	1	2016.1450	Türgriff	Door handle
23	4	1106.0360	Hutmutter M6, hohe Form	Cap nut M6, high shape
24	4	1306.0120	Unterlegscheibe A6,4 DIN125	Washer A6,4
25	1	2031.0900	Unterlegscheibe d15 für Türe bis 04/89	Washer 15 mm door
26	1	2016.0802	Türhaltebolzen d15x20	Door bolt d15x20
27	50	1603.0165	Blindniete 3,2x9,5	Rivet 3.2x9.5, CNS closed
28	1	3016.1415	Türkontaktschalter	Door contact switch
29	2	2016.1300	Schließplatte	Ball catch male
30	1	5012.0550	Satz Dichtung für HGW Typ 201	Set gasket for HGW

**Bottom (Top elevation)**

Voltage	Group	Page	Edition	Application from Serial. No.
3 N AC 380V 50Hz	8	8.1	8.1.1	21C90101001



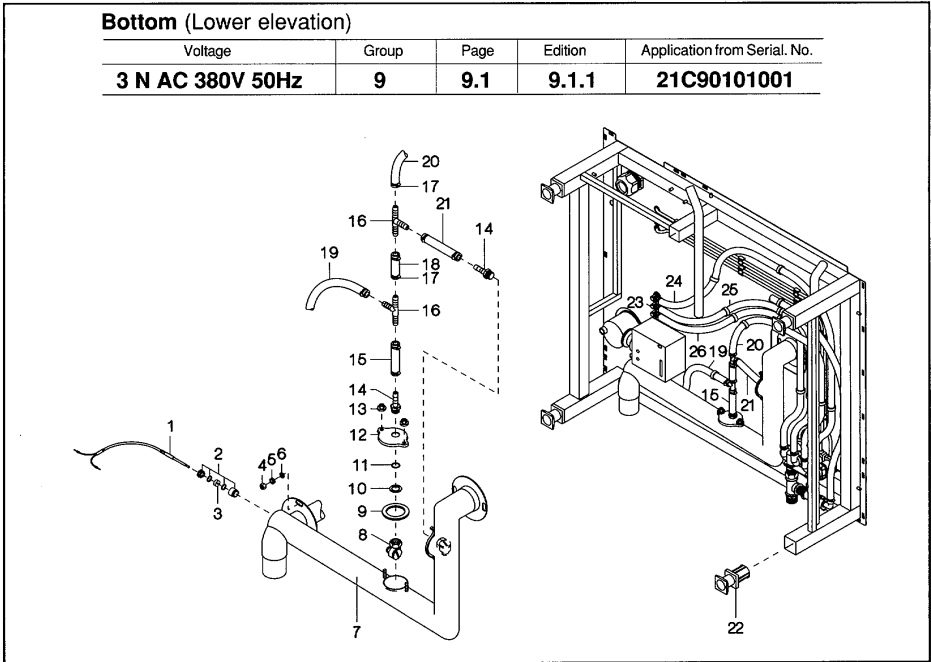
Pos.	Pcs.	Sp.	Part No.	Description	Sign.	Pos.	Pcs.	Sp.	Part No.	Description	Sign.
-	1		8612.0110	quenching nozzle cpl.		30	4		1106.0160	hex nut M6	
1	5		1106.0360	hex cap nut M6		31	1		5012.0555	gasket	
2	5		1306.0550	washer A6,4		32	5		1306.0221	washer A6,4	
3	7		1206.0120	toothed lock washer A6,4		33	1		2510.080086	bottom plate cover	
4	1		2067.0156	pressure hose 440mm long		34	1		2510.090992	bottom plate cover	
5	7		2066.0205	hose clamp 12-18mm							
6	1		2062.0208	threaded pipe angle G1/2"							
7	1		2016.0883	screwing for quenching nozzle							
8	1		2016.0916	quenching nozzle							
9	1		2066.0506	hose clamp 20-32mm							
10	5		2066.0518	hose clamp 30mm							
11	1		2610.420321	PP-pipe 820mm long							
12	2		4016.0101	vent connection							
13	1		3014.0156	sensor bypass							
14	1		2022.0100	gasket							
15	1		4007.0600	cable connection PG9							
16	1		2071.0101	bypass pipe							
17	1		1315.0104	copper washer							
18	1		2016.0920	bypass nozzle							
19	1		2022.0201	drain elbow							
20	1		2062.0301	plastic elbow fitting							
21	1		2067.0157	pressure hose 340mm long for steam generator filling							
22	1		2067.0132	pressure hose 815mm long for moistening							
23	1		2067.0110	pressure hose 360mm long for steam generator rinsing							
24	1		2022.0202	hose connection piece 40mm long							
25	1		2644.250288	PP-pipe 300mm long							
26	1		2066.0520	hose clamp 46mm							
27	10		2022.0101	grommet							
28	1		4007.0606	cable connection PG36							
29	1		4007.0607	lock nut for PG36							



Pos.	St.	Ersatzl.Nr.	Bezeichnung	Description
Pos.	Pcs.	Sp. Part No.		
-	-	2067.0050	Druckschlauch NW10 1 lfm.	Pressure hose NW10 per meter
-	1	8612.0110	Ablöschdüse oben komplett	Quench nozzle top
1	5	1106.0360	Hutmutter M6, hohe Form	Cap nut M6, high shape
2	5	1306.0550	Unterlegscheibe A6,6	Washer A6,6
3	7	1206.0120	Zahnscheibe A6,4	Toothed lock washer A6,4
4	7	2066.0205	Schlauchschele 12-18 mm	Hose clamp 12-18 mm
5	1	2062.0208	Winkelverschraubung G1/2"x10	Elbow Nipple 1/2"x10mm
6	1	2016.0883	Verschraubung Ablöschdüse ab 04/91	Threaded connection for quenching nozzle
7	1	2016.0916	Ablöschdüse oben ab 04/91	Quenching nozzle top
8	1	2066.0506	Schlauchschele 20-32mm	Hose clamp 20-32mm
9	6	2066.0518	Schlauchklemme 30mm	Hose clamp 30mm
10	1	2610.420321	PP-Rohr 820mm lang Ablaufbelüftung	PP-pipe 820 mm type 201/20 drain vent
11	2	4016.0101	Entlüftungstülle 250mm ab 04/91	Vent grommet 250mm
12	1	3014.0156	Fühler Ablöschung/Bypass	Sensor bypass/quenching
13	1	2022.0100	Silikondurchführung rot 15x4mm	Silicone gasket red
14	1	4007.0600	Kabelverschraubung PG 9 Metall	Cable connection PG9
15	1	2071.0101	Bypassrohr Typ 201 ab 04/91	Bypass pipe type 201
16	1	1315.0104	Kupferdichtung 16x20x1,5	Copper washer 16x20x1,5
17	1	2016.0920	Bypassdüse ab 04/91	Bypass nozzle
18	1	2022.0201	Abflußkrümmer ab 04/91	Drain elbow
19	1	2062.0301	Winkelschlauchfitting WS 10	Angle fitting plastic WS 10
20	1	2022.0202	Schlauchstutzen 40mm SC-Pumpe	Hose connection piece 40 mm SC-pump
21	1	2644.250288	PP-Rohr 300mm Pumpenschluß	PP-pipe 300 mm pump connection
22	1	2066.0520	Schlauchklemme d 47 mm	Hose clamp 47 mm
23	10	2022.0101	Durchführungstülle 18 mm	Grommet 18 mm
24	1	4007.0606	Kabelverschraubung PG36 mit Zugentlastung	Cable connection PG36 strain relief
25	1	4007.0607	Polyamid Sechskantmutter für PG36	Lock nut for PG36 poliamid
26	4	1106.0160	Sechskantmutter M6	Hex nut M6
27	1	5012.0555	Dichtung Bodenablauf ab 04/91	gasket for drain from 04/91
28	4	1306.0221	Unterlegscheibe A6,4 DIN9021	Washer A6,4 DIN125
29	1	2510.080086	Verkleidungsblech rechts	Side panel right
30	1	2510.090992	Verkleidungsblech links mit Handbrause	Side panel left with hand shower
31	1	3101.1008	Kühllüfter	Cooling motor

**Bottom (Lower elevation)**

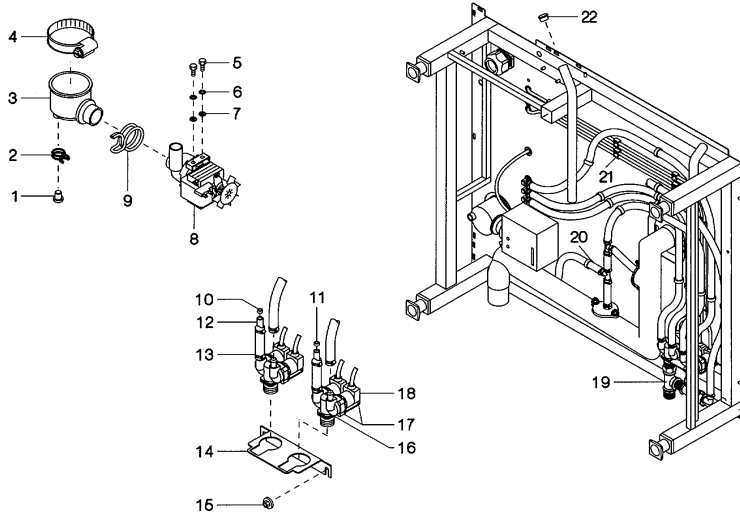
Voltage	Group	Page	Edition	Application from Serial. No.
3 N AC 380V 50Hz	9	9.1	9.1.1	21C90101001



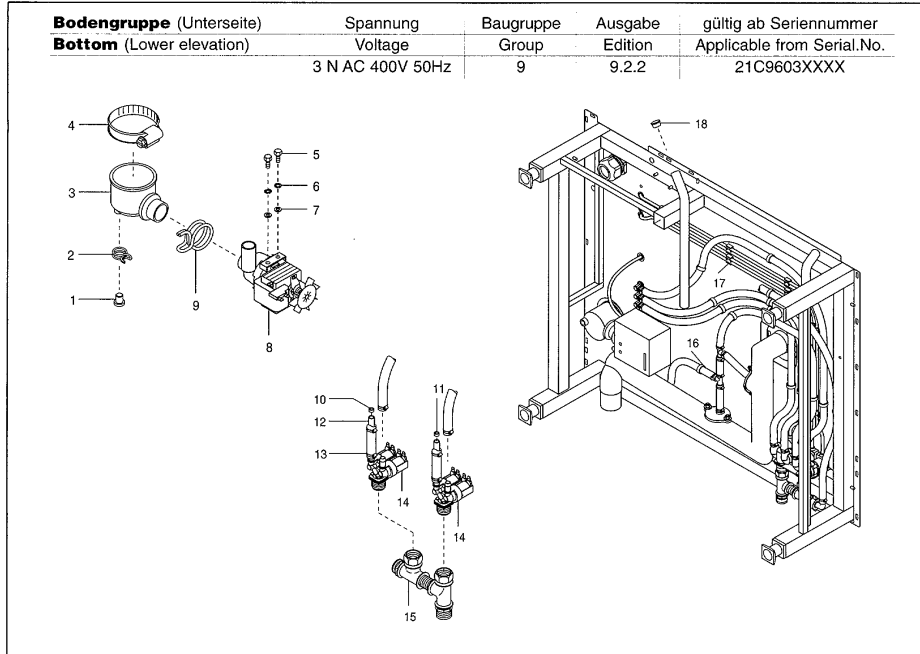
Pos.	Pcs.	Sp.	Part No.	Description	Sign.
-	2		8612.0102	quenching nozzle cpl. (pos.8,9,10,11,12,14)	
1	1		3014.0156	sensor quenching system	E2
2	1		4007.0600	cablc connection PG9	
3	1		2022.0100	gasket	
4	2		1106.0160	hex nut M6	
5	2		1206.0120	toothhead lock washer A6,4	
6	2		1306.0221	washer A6,4	
7	1		2070.0039	drain system cpl.	
8	2		2016.0900	quenching nozzle	
9	2		2070.0020	gasket	
10	2		2580.600594	washer	
11	2		5012.0532	gasket	
12	2		2070.0021	cover	
13	4		1106.0801	hex-combi-nut M6	
14	2		2062.0102	hose fitting G3/8"	
15	1		2067.0127	pressure hose 80mm long	
16	2		2062.0302	T-fitting	
17	16		2066.0205	hose clamp 12-18mm	
18	1		2067.0150	pressure hose 60mm long	
19	1		2067.0152	pressure hose 400mm long	
20	1		2067.0123	pressure hose 700mm long	
21	1		2067.0107	pressure hose 105mm long	
22	4		2039.0111	foot adjustable	
23	3		2062.0301	plastic elbow fitting	
24	1		2067.0115	pressure hose 1220mm long for steam generator rinsing	
25	1		2067.0154	pressure hose 980mm long for moistening	
26	1		2067.0153	pressure hose 950mm long for steam generator filling	

**Bottom (Lower elevation)**

Voltage	Group	Page	Edition	Application from Serial. No.
3 N AC 380V 50Hz	9	9.2	9.2.1	21C90101001



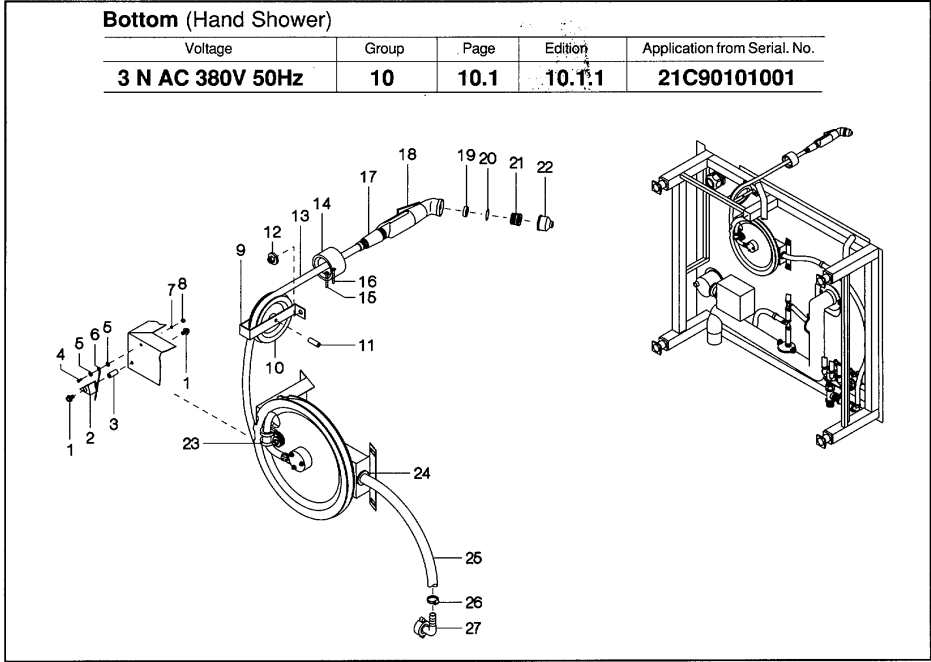
Pos.Pcs.	Sp.	Part No.	Description	Sign.
1	1	2016.0873	end cap for pump connection	
2	1	2066.0517	hose clamp 18,2mm	
3	1	2022.0110	pump connection	
4	1	2066.0516	hose clamp 60-80mm	
5	2	1006.1960	hex screw M6x16	
6	2	1206.0120	toothhead lock washer A6,4	
7	2	1306.0120	washer A6,4	
8	1	3002.1000	discharging pump	
9	1	2066.0519	hose clamp 35,6mm	
10	1	1900.0102	flow regulator red	
11	1	1900.0103	flow regulator orange	
12	2	2016.0867	socket for flow regulator	
13	5	2066.0205	hose clamp 12-18mm	
14	1	2580.721120	bracket holder solenoid valve	
15	2	1106.0801	hex-combi-nut M6	
16	2	3002.0314	body for double solenoid valve	
17	2	3002.0304	double solenoid valve cpl.	
18	4	3002.0324	coil for solenoid valve	
19	1	8621.0100	set water connection	
20	10	4006.0203	cable clamp	
21	8	4006.0201	cable clamp	
22	3	2039.0204	plastic cap	



Pos.	St.	Ersatz.Nr.	Bezeichnung	Description
Pos.	Pcs.	Sp. Part No.		
-	-	2067.0050	Druckschlauch NW10 1 lfm.	Pressure hose NW10 per meter
1	1	2016.0873	Stopfen für Pumpenanschluß	Plug for pump connection
2	1	2066.0517	Schlauchklemme 18,2mm	Hose clamp 18,2mm
3	1	2022.0110	Pumpenanschluss ab 04/91	Pump connection from 04/91
4	1	2066.0516	Schlauchschele 60-80mm	Hose clamp 60x80 mm
5	2	1006.1960	Senkschraube mit Innensechskant M6x16	Hex socket countersunk head screw M6x16
6	2	1206.0120	Zahnscheibe A6,4	Toothed lock washer A6,4
7	2	1306.0120	Unterlegscheibe A6,4 DIN125	Washer A6,4
8	1	3002.1000	Entleerungspumpe 200-240 V, 50/60 Hz	Emptying pump 200-240V 50/60 Hz
9	1	2066.0519	Schlauchklemme d 35,6 mm	Hose clamp 35,6mm
10	1	1900.0102	Durchflußmengenregler rot, Typ 201	Flow controller red
11	1	1900.0103	Durchflußmengenregler orange, Typ 20	Flow controller orange
12	2	2016.0867	Aufnahme für Durchflußmengenregler	Socket for flow controller
13	6	2066.0205	Schlauchschele 12-18 mm	Hose clamp 12-18 mm
14	2	3002.0330	Doppelmagnetventil kpl. 220-240V 50Hz	Double solenoid valve unit 220-240V 50 Hz
15	1	8621.0100	Fittingssatz-Wasseranschluß	Fitting set water connection
16	11	4006.0203	Befestigungsschele PL-KK PA 6 FL	Fixing clip for pressure hose
17	10	4006.0201	Kabelbefestigung Magnetventil schwarz 10 Stk.	Fixing clip for solenoid cable 10 ea
18	3	2039.0204	PVC-Lamellenkappe Typ 201/20	PVC- end cap type 201/20

**Bottom (Hand Shower)**

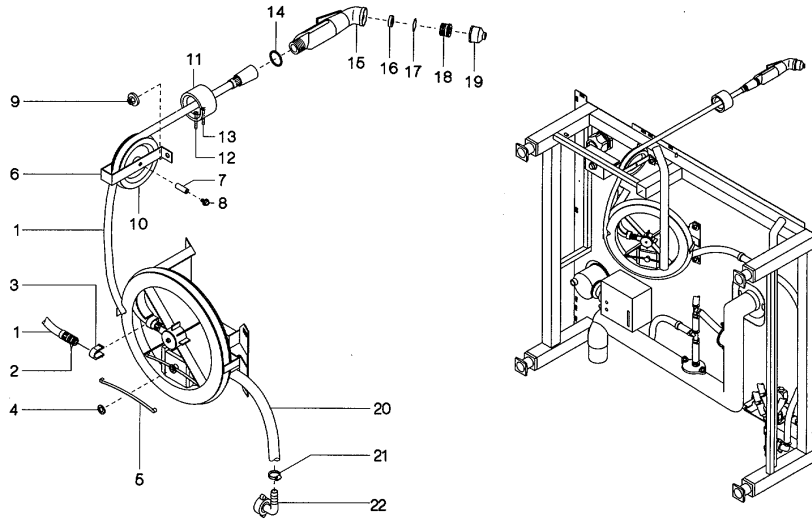
Voltage	Group	Page	Edition	Application from Serial. No.
<b>3 N AC 380V 50Hz</b>	<b>10</b>	<b>10.1</b>	<b>10.1.1</b>	<b>21C90101001</b>



Pos.	Pcs.	Sp.	Part No.	Description	Sign.
-	1		8410.1002	hand shower cpl.	
1	4		1005.2000	safety screw M5x8	
2	1		2060.0120	notch lever	
3	1		2060.0115	axle for notch lever	
4	1		1004.0061	slotted pan head screw M4x8	
5	2		1304.0160	washer A4,3	
6	1		2001.0300	notch spring	
7	1		1204.0120	toothed lock washer A4,3	
8	1		1104.0120	hex nut M4	
9	1		2510.640687	holder for hose reel	
10	1		2060.0112	hose reel	
11	1		2016.0878	axle for hose reel	
12	6		1106.0801	hex-combi-nut M6	
13	1		2067.0604	shower hose	
14	1		2060.0113	tulip	
15	1		1104.0664	hex socket head cap screw M4x16	
16	1		1104.0430	head screw M4x16	
17	1		2060.0110	revolving joint	
18	1		2060.0100	hand shower (incl. pos. 19,20,21,22)	
19	1		2060.0218	gasket	
20	1		2060.0217	O-ring	
21	1		2060.0216	head screw	
22	1		2060.0215	mouthpiece	
23	1		2066.0510	hose clamp with rubber core	
24	1		4016.0500	grommet	
25	1		2067.0153	pressure hose 750mm long	
26	1		2066.0205	hose clamp 12-18mm	
27	1		2062.0203	threaded pipe angle G1/2"	

**Bottom (Hand Shower)**

Voltage	Group	Page	Edition	Application from Serial. No.
3 N AC 380V 50Hz	10	10.1	10.1.2	21C92121249



Pos.Pcs.	Sp.	Part No.	Description	Sign.
-	1	8410.1016	hand shower roll guide cpl.	
-	1	8630.0106	holder for hose reel cpl. (pos. 6,7,8,10)	
1	1	2067.0605	shower hose	
2	2	2060.0228	gasket for shower hose	
3	1	2060.0152	clamp for shower hose	
4	1	2001.0203	lock washer	
5	1	2001.0202	fastening spring	
6	1	2510.640687	holder for hose reel	
7	1	2016.0878	axle for hose reel	
8	2	1005.2000	safety screw M5x8	
9	2	1106.0801	hex-combi-nut M6	
10	1	2060.0112	hose reel	
11	1	2060.0113	tulip	
12	1	1004.0430	slotted countersunk screw M4x16	
13	1	1004.0664	hex socket head screw M4x16	
14	1	5012.0536	gasket for shower hose	
15	1	2060.0100	hand shower cpl. (incl. pos. 16,17,18,19)	
16	1	2060.0218	gasket	
17	1	2060.0217	O-ring	
18	1	2060.0216	head screw	
19	1	2060.0215	mouthpiece	
20	1	2067.0060	pressure hose 900mm long	
21	2	2066.0205	hose clamp 12-18mm	
22	1	2062.0203	threaded pipe angle G3/4"	

**Miscellaneous**

Pos.Pcs.	Sp. Part No.	Description	Sign.
1	1003.2260	slotted raised countersunk head screw 4,2x16	
2	1004.2160	hex head tapping screw 4,2x16	
3	1104.0821	climp V2A	
4	1311.0420	rosette 5x12,5	
5	2001.0042	screw locking, heat resistant 10ml	
6	2005.0403	castor without brake	
7	2005.0404	castor with brake	
8	2067.0050	pressure hose NW10 1m	
9	4002.0100	cable shoes 2,5x6,3	
10	5006.0200	silicone (tube)	
11	5006.0500	gule for insulation plate steam generator	
12	5009.1300	insulation steam generator cpl.	
13	6004.0100	spray-pistol	
14	6004.0101	lengthening piece for spray-pistol	
15	6004.0102	gasket for spray-pistol	
16	6004.0200	hand pump for descaler	
17	6004.0202	lamp lens key	
18	6006.0101	RATIONAL special cleaning agent	
19	6006.0110	RATIONAL descaler	
20	8400.3011	handle for mobile oven rack	
21	9003.0202	graphite grease Unimol Plus	
22	9006.0701	copper grease 1l	
23	9006.0850	stainless steel cleaning paste	