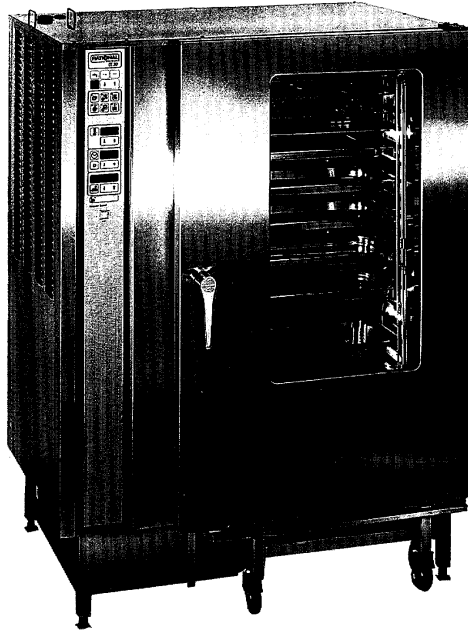


RATIONAL Spare Parts List



RATIONAL
Combi-Steamer CC 20

Important:
Please use only
Original **RATIONAL** Spare Parts.
When ordering Spare Parts
please do always indicate:

- Unit Number
- Spare Part Number
- Spare Part Description

All rights reserved.

Control Panel

Electrical Installation

Steam Generator

Hot Air Heating

Motor and Fan Wheel

Interior Cabinet

Door

Bottom (Top elevation)

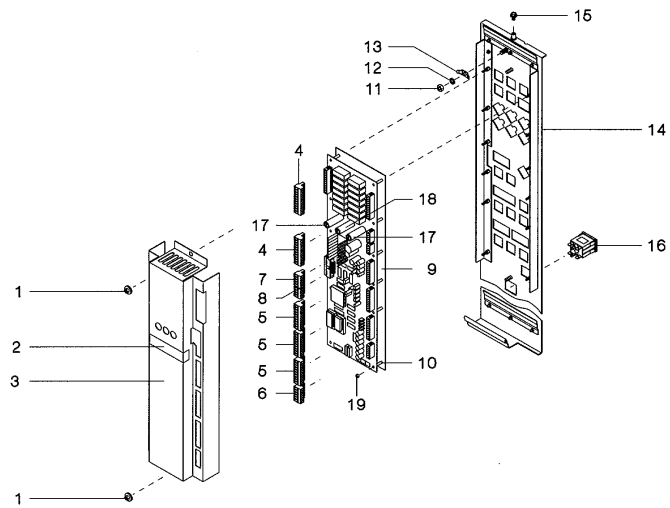
Bottom (Lower elevation)

Bottom (Hand Shower)

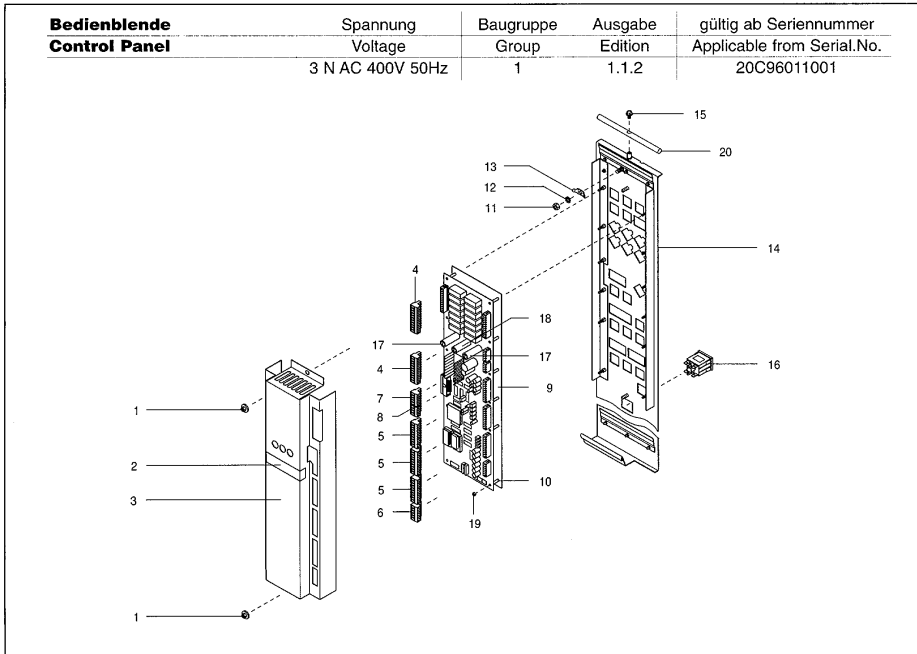
Miscellaneous

Control Panel

Voltage	Group	Page	Edition	Application from Serial. No.
3 N AC 380V 50Hz	1	1.1	1.1.1	20C90101001



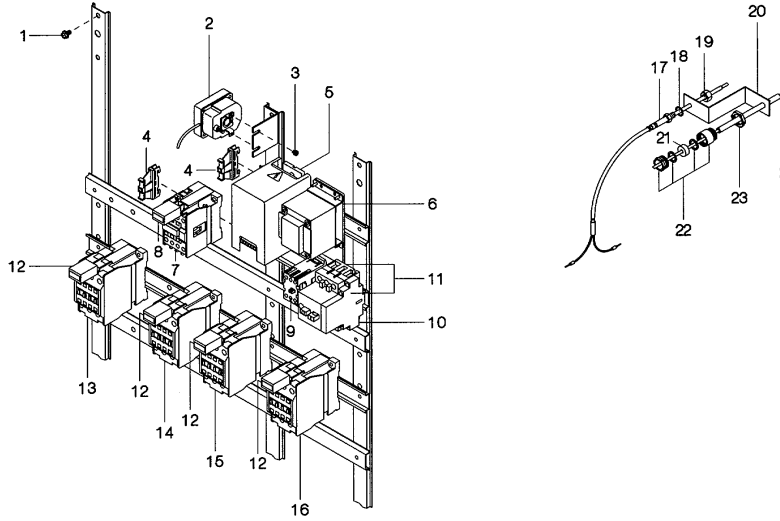
Pos.	Pcs.	Sp.	Part No.	Description	Sign.
1	2		1105.0122	hex-combi-nut M5	
2	1		4019.0017	pressure sensitive for cover	
3	1		8401.0021	cover for CC-pcb	
4	2		3040.0198	multipoint connector BL11	
5	3		3040.0197	multipoint connector BL10	
6	1		3040.0196	multipoint connector BL6	
7	1		3040.0195	multipoint connector BL5	
8	1		3040.0194	multipoint connector BL4	
9	1		3040.2020	pcb-CC cpl.	A1
10	12		1403.0165	hexagon bolt M3x15	
11	1		1106.0160	hex nut M6	
12	1		1206.0120	toothhead lock washer A6,4	
13	1		4002.0110	branch plug	
14	1		8600.0920	front panel with control panel	
15	1		1005.2000	safety screw M5x8	
16	1		3016.1430	main switch	S1
17	2		3019.0113	fuse 1,6A	A1/F1,A1/F3
18	2		3019.0119	fuse 1A	A1/F2,A1/F4
19	12		1403.0164	hex nut M3x5	



Pos.	St.	Ersatzl.Nr.	Bezeichnung	Description
Pos.	Pcs.	Sp. Part No.		
1	2	1105.0122	Sechskant-Combi-Mutter M5	Hex combination nut M5
2	1	4019.0017	Aufkleber für Abdeckung	Pressure sensitive for cover
3	1	8401.0021	Abdeckung CC-Platine	Cover for CC-pcb
4	2	3040.0198	Steckerleiste BL 11 CC-Platine	Multipoint connector BL11 CC PCB
5	3	3040.0197	Steckerleiste BL 10 CC-Platine	Multipoint connector BL10 CC PCB
6	1	3040.0196	Steckerleiste BL 6 CC-Platine	Multipoint connector BL6 CC PCB
7	1	3040.0195	Steckerleiste BL 5 CC-Platine	Multipoint connector BL5 CC PCB
8	1	3040.0194	Steckerleiste BL 4 CC-Platine	Multipoint connector BL4 CC PCB
9	1	3040.2020	Regel-u. Steuerelektronik CC	PCB type CC
10	12	1403.0165	Abstandsbolzen M3x15	Space bolt M3x15
11	1	1106.0160	Sechskantmutter M6	Hex nut M6
12	1	1206.0120	Zahnscheibe A6,4	Toothed lock washer A6,4
13	1	4002.0110	Steckverteiler 2-fach, 100 Stk.	Cable connector, junction, 100 ea
14	1	8600.0920	Frontplatte mit Blende	Front panel with overlay
15	1	1005.2000	Sperrzahnschraube M5x8	Interlocking tooth screw M5x8
16	1	3016.1430	Druckschalter Ein/Aus Typ CC	Main switch type CC
17	2	3019.0113	Feinsicherung 5x20 1,6A	Fuse 1,6 A
18	2	3019.0119	Feinsicherung 5x20 1,0A	Fuse 1A
19	12	1403.0164	Sechskantmutter M3x5	Hex nut M3x5
20	1	5012.0556	Dichtung für Bedienblende	Front panel gasket

Electrical Installation

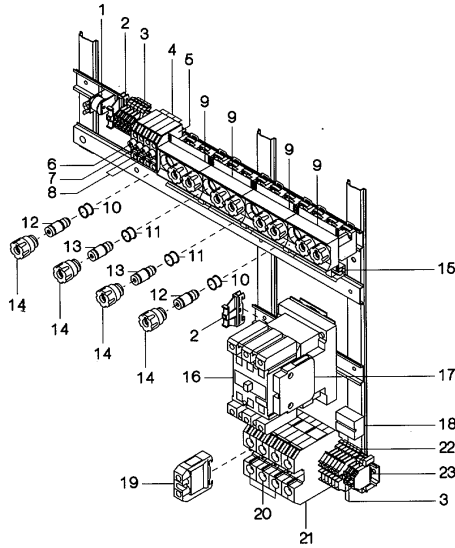
Voltage	Group	Page	Edition	Application from Serial. No.
3 N AC 380V 50Hz	2	2.1	2.1.1	20C90101001



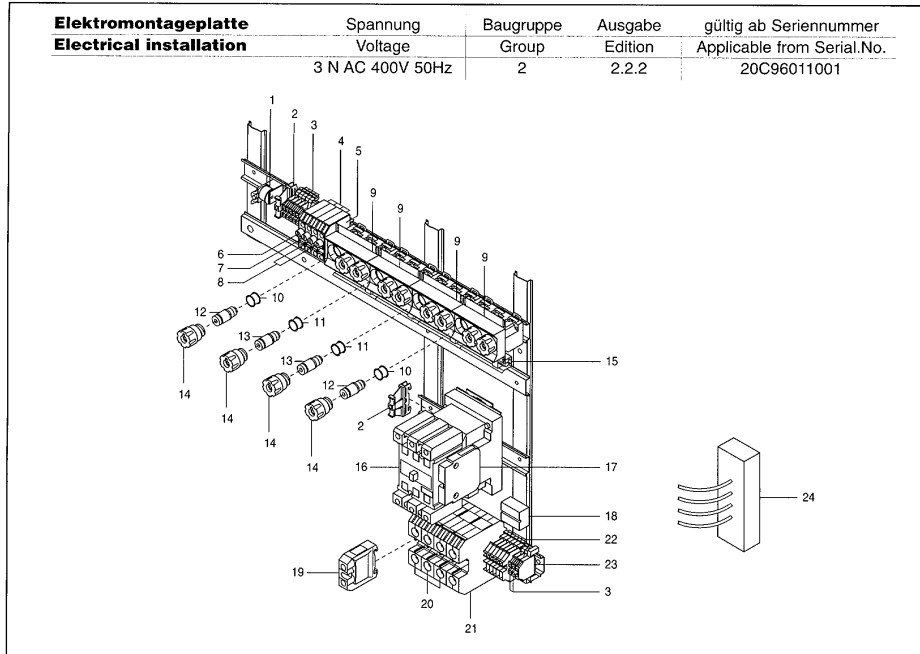
Pos.	Pcs.	Sp.	Part No.	Description	Sign.
1	6		1005.2000	safety screw M5x8	
2	1		3014.0310	bi-limit safety thermostat 360°C	F3
3	2		1004.0060	slotted pan head screw M4x4	
4	2		4001.1203	end plate	
5	1		3031.0201	motor brace	K7
6	1		3037.0210	transformer 220V	T2
7	1		3028.0506	motor contactor	K2
8	1		3035.0517	varistor	R41
9	1		3028.0110	contactor motor brace	K8
10	1		3031.0102	auxiliary contact for F2	
11	1		3031.0108	motor protector cpl.	F2
12	4		3035.0515	RC-link	C1-C4
13	1		3028.0512	contactor part load hot air	K3
14	1		3028.0512	contactor part load steam	K5
15	1		3028.0512	contactor part load steam	K6
16	1		3028.0512	contactor part load hot air	K4
17	1		3014.0151	interior cabinet sensor	
18	1		1315.0101	copper washer	
19	1		1106.0160	hex nut M6	
20	1		2520.400212	holding angle	
21	1		2022.0100	gasket	
22	1		4007.0600	cable connection PG9	
23	1		4007.0601	hex nut PG9	

Electrical Installation

Voltage	Group	Page	Edition	Application from Serial. No.
3 N AC 380V 50Hz	2	2.2	2.2.1	20C90101001



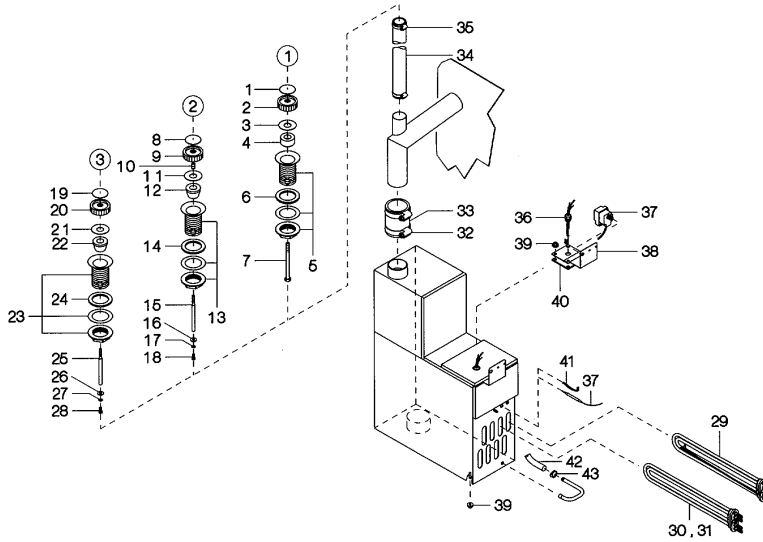
Pos.	Pcs.	Sp.	Part No.	Description	Sign.
1	1		3006.0101	alarm buzzer	T1
2	2		4001.1203	end plate	
3	7		4001.1216	terminal block 4mm grey	
4	4		4001.1228	fuse holder	F1,F5,F6
5	1		4001.1227	cover for fuse holder	
6	1		3019.0120	fuse 2A	F1
7	1		3019.0400	fuse 0,5A	F5
8	2		3019.0300	fuse 10A	F6
9	4		4001.1234	Einbausicherungssocketel	F7-F10
10	6		4001.1241	insert 50A	
11	6		4001.1240	insert 35A	
12	6		3019.0404	fuse 50A	F7,F8
13	6		3019.0403	fuse 35A	F9,F10
14	12		4001.1235	screw cap	
15	1		4001.1211	multiple rail block	
16	1		3028.0515	main contactor	K1
17	1		3028.0520	auxiliary contact for K1	
18	1		3035.0509	RC-link	C5
19	1		4001.1233	earth terminal 35mm	
20	3		4001.1229	terminal block 70mm grey	
21	1		4001.1253	terminal block 70mm blue	
22	6		4001.1176	terminal block	
23	1		4001.1222	earth terminal 4mm	



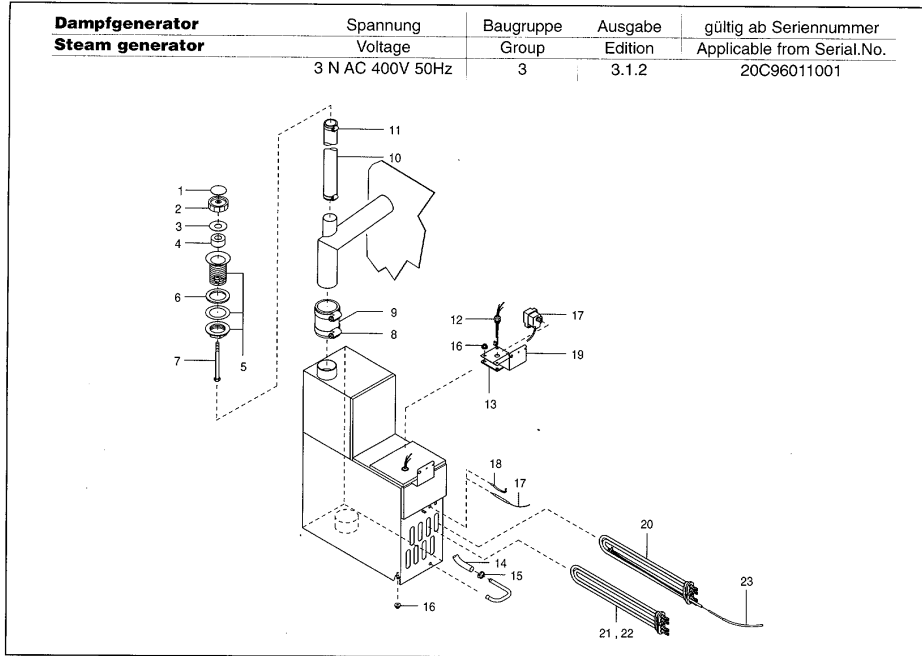
Pos.	St.	Ersatz.Nr.	Bezeichnung	Description
Pos.	Pcs.	Sp. Part No.		
1	1	3006.0101	Alarmsummer, 230 V	Buzzer, 230 V
2	2	4001.1203	Endklammer für Tragschiene	End plate for mounting rail
3	7	4001.1216	Reihenklammer 4qmm grau	Terminal 4sqmm grey
4	4	4001.1228	Reihen-Sicherungsklemme	Fuse holder terminal block
5	1	4001.1227	Endplatte für Reihen-Sicherungsklemme	End plate for fuse holder
6	1	3019.0120	Feinsicherung 5x20 2,0A	Fuse 2A
7	1	3019.0400	Feinsicherung 5x20 0,5A	Fuse 0,5A
8	2	3019.0300	Feinsicherung 5x20 10A	Fuse 10A
9	4	4001.1234	Einbausicherungssockel 3Ph63A, Typ NEOZED	Fuse holder block 3-pol type neozed 63 A
10	6	4001.1241	Paßeinsatz 50A	Insert adapter 50A for NEOZED fuse
11	6	4001.1240	Paßeinsatz 35A	Insert adapter 35A for NEOZED fuse
12	6	3019.0404	Sicherung Neozed 50A	Fuse neozed 50A
13	6	3019.0403	Sicherung Neozed 35A	Fuse neozed 35A
14	12	4001.1235	Schraubkappe Neozed 63 A	Screw cap type neozed 63 A
15	1	4001.1211	Sammelschienenblock für Sicherungen 250 mm	Three phase bus bar for neozed fuse
16	1	3028.0515	Schütz LS 57.00 200-240V 50Hz	Contacteur LS 57.00 200-240V 50Hz
17	1	3028.0520	Hilfskontakt HS 107 für Schütz LS 47 - LS 57	Auxiliary contact switch HS 17.01
18	1	3035.0509	RC-Glied	RC-link
19	1	4001.1233	Erdungsklemmen 35qmm gelb-grün	Terminal block yellow/green 35qmm
20	3	4001.1229	Reihenklammer 70qmm grau	Terminal block 70qmm
21	1	4001.1253	Reihenklammer 70qmm blau	Terminal block, blue 70 qmm
22	6	4001.1176	Reihenverteiler	Terminal block plug type
23	1	4001.1222	Erdungsklemme 4qmm	Terminal block yellow/green 4 qmm
24	1	3001.0452	Entstörfilter	Electronic noise filter

Steam Generator

Voltage	Group	Page	Edition	Application from Serial. No.
3 N AC 380V 50Hz	3	3.1	3.1.1	20C90101001



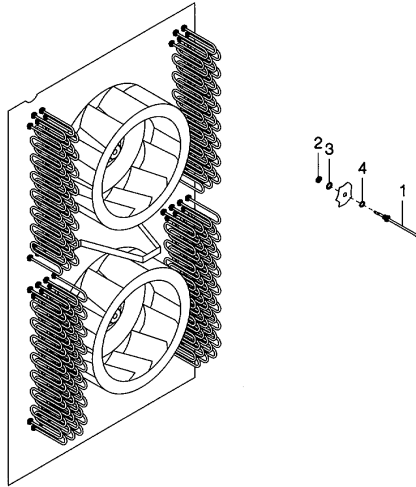
Pos.	Pcs.	Sp.	Part No.	Description	Sign.	Pos.	Pcs.	Sp.	Part No.	Description	Sign.
-	1		8450.0200	safety valve cpl. (version 1)		-	1		8300.0088	steam generator cpl.	
						29	1		3004.4304	heating element 2x3kW thermocouple	
version 1											
1	1		2049.0800	cover plate, aluminium		30	6		3004.4302	heating element 2x3kW	
2	1		2020.0301	plastic handle		31	1		3004.4303	heating element 2x1,5kW	
3	1		5012.0526	gasket		32	2		2066.0505	hose clamp 70-90mm	
4	1		2026.0201	cone		33	1		2067.0401	steam hose 95mm long	
5	1		5012.0527	gasket		34	1		2067.0205	steam hose 580mm long	
6	1		2064.0100	valve body		35	2		2066.0504	hose clamp 40-60mm	
7	1		1008.0764	hex screw M8x110		36	1		3002.0402	filling-level electrode 90mm	S4
version 2											
8	1		2049.0800	cover plate, aluminium		37	1		3014.0300	protector against running dry	F5
9	1		2020.0301	plastic handle		38	1		2520.311089	holding angle	
10	1		2026.0301	plastic insert		39	5		1106.0801	hex-combi-nut M6	
11	1		5012.0526	gasket		40	1		5012.0537	gasket	
12	1		2026.0200	cone		41	1		2544.101230	clamping plate	
13	1		5012.0527	gasket		42	1		2067.0128	pressure hose	
14	1		2064.0100	valve body		43	1		2066.0205	hose clamp 12-18mm	
15	1		2026.0400	guide bar							
16	1		1305.0260	washer A5,3							
17	1		1205.0360	spring washer A5,3							
18	1		1005.0660	hex socked head screw M5x12							
version 3											
19	1		2049.0800	cover plate, aluminium							
20	1		2020.0300	plastic handle							
21	1		5012.0526	gasket							
22	1		2026.0200	cone							
23	1		5012.0527	gasket							
24	1		2064.0100	valve body							
25	1		2026.0400	guide bar							
26	1		1305.0260	washer A5,3							
27	1		1205.0360	spring washer A5,3							
28	1		1005.0660	hex socked head screw M5x12							



Pos.	St.	Ersatz.Nr.	Bezeichnung	Description
Pos.	Pcs.	Sp. Part No.		
-	1	8300.0089	SC-Dampfgenerator kpl.400V	SC-steam generator cpl. 400V
-	1	8450.0200	Sicherheitsventil komplett Typ 201/20	Safety valve for type 201/20
1	1	2049.0800	Alu-Deckschild für Sicherheitsventil	Cover plate aluminum for safety valve
2	1	2020.0301	Griffscheibe Sicherheitsventil	Plastic-handle for safety-valve
3	1	5012.0526	Dichtung für Sicherheitsventil	Gasket for safety valve
4	1	2026.0201	Verschlusskegel Sicherheitsventil	Cone for safety valve
5	1	2064.0101	Einfüllstutzen Typ 201/20	Safety valve housing type 201/20
6	1	5012.0527	Dichtung für Sicherheitsventilgehäuse	Gasket for safety valve housing
7	1	1008.0764	Sechskantschraube M8x110 f.Griffscheibe	Hex screw M8x110 for safety valve
8	2	2066.0505	Schlauchschele 70-90mm	Hose clamp 70-90mm
9	1	2067.0401	Druckschlauch NW60 120mm lang	Steam hose NW60 120mm long
10	1	2067.0205	Dampfschlauch NW42 580 mm lang	Steam hose 580mm long
11	2	2066.0504	Schlauchschele 40-60mm	Hose clamp 40-60mm
12	1	3002.0402	Füllstandselektrode 90mm Typ 101/201/20	Filling level electrode 90 mm type 101/201/20
13	1	5012.0537	Dichtung für Füllstandselektrode	Gasket for filling-level elektrode
14	1	2067.0128	Druckschlauch NW10 420 mm lang	Pressure hose 420 mm long
15	1	2066.0205	Schlauchschele 12-18 mm	Hose clamp 12-18 mm
16	5	1108.0801	Sechskant-Combi-Mutter M6	Hex combination nut M6
17	1	3014.0300	Trockengehschutz 125°C	Dry up protector 125°C
18	1	2544.101230	Klemmblech Dampfgenerator	Clamping plate thermostat steam generator
19	1	2520.311089	Halterung für Trockengehschutz	Holder for dry up protector
20	1	3004.4157	Tauchheizkörper 2x3kW 400V mit Fühlerrohr	Heating element 2x3kW 400V with sensor pipe
21	6	3004.4302	Tauchheizkörper 2x3kW 400V	Heating element 2x3KW 400V
22	1	3004.4303	Tauchheizkörper 2x1,5kW 400V	Heating element 2x1,5kW 400V
23	1	3014.0165	Thermoelement Dampfgenerator	Thermo element steam generator

Hot Air Heating

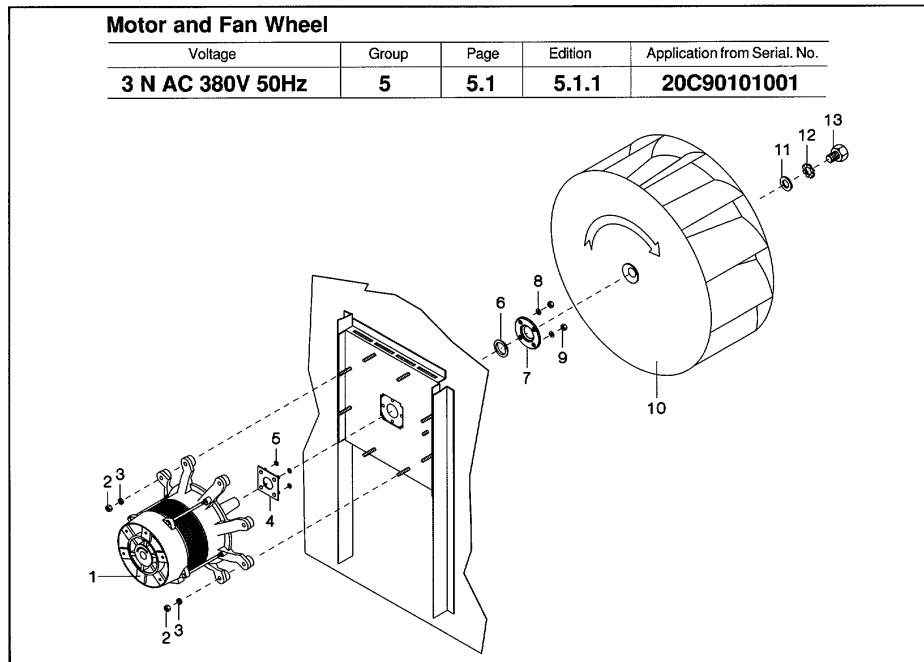
Voltage	Group	Page	Edition	Application from Serial. No.
3 N AC 380V 50Hz	4	4.1	4.1.1	20C90101001

**4**

Pos.	Pcs.	Sp.	Part No.	Description	Sign.
1	24		3004.4301	heating element 2,5kW	
2	48		3004.1404	copper washer	
3	48		3004.1405	toothhead lock washer	
4	48		3004.1406	hex nut M14	

Motor and Fan Wheel

Voltage	Group	Page	Edition	Application from Serial. No.
3 N AC 380V 50Hz	5	5.1	5.1.1	20C90101001

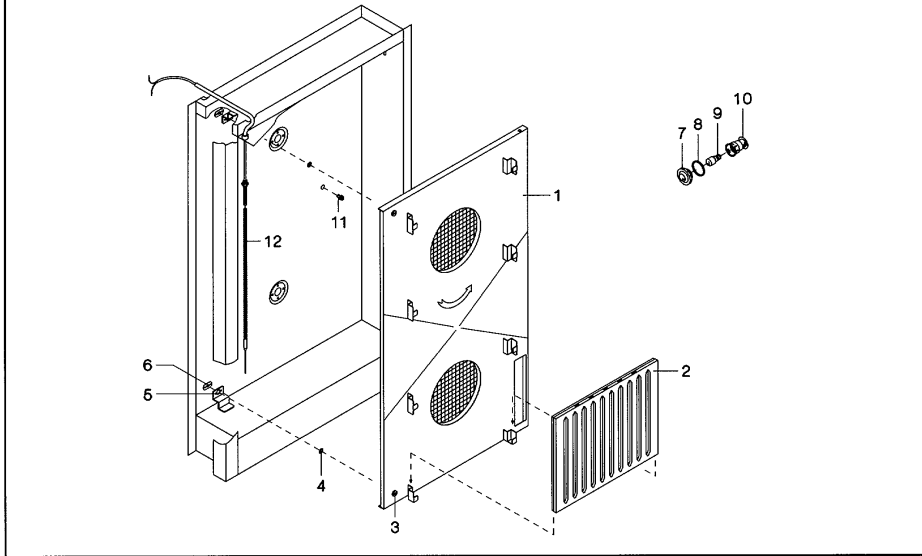


5

Pos.Pcs.	Sp.	Part No.	Description	Sign.
1	2	3001.0428	motor	M1,M2
2	16	1106.0160	hex nut M6	
3	16	1206.0120	toothed lock washer A6,4	
4	2	8506.0103	holder plate	
5	8	1315.0101	copper washer	
6	2	5001.0211	motor gasket	
7	2	2016.0875	gasket flange	
8	8	1306.0120	washer A6,4	
9	8	1106.0220	hex nut M6 flat	
10	2	2012.0510	fan wheel	
11	2	1308.0123	washer A17	
12	2	1217.0160	toothhead lock washer A16,5	
13	2	1016.0700	hex screw M16x20	

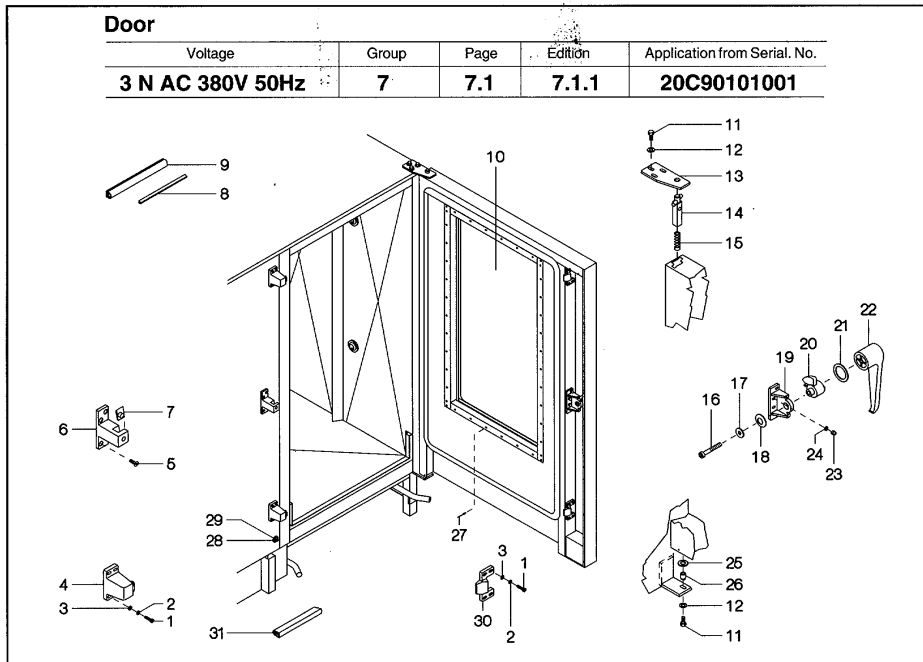
Interior Cabinet

Voltage	Group	Page	Edition	Application from Serial. No.
3 N AC 380V 50Hz	6	6.1	6.1.1	20C90101001

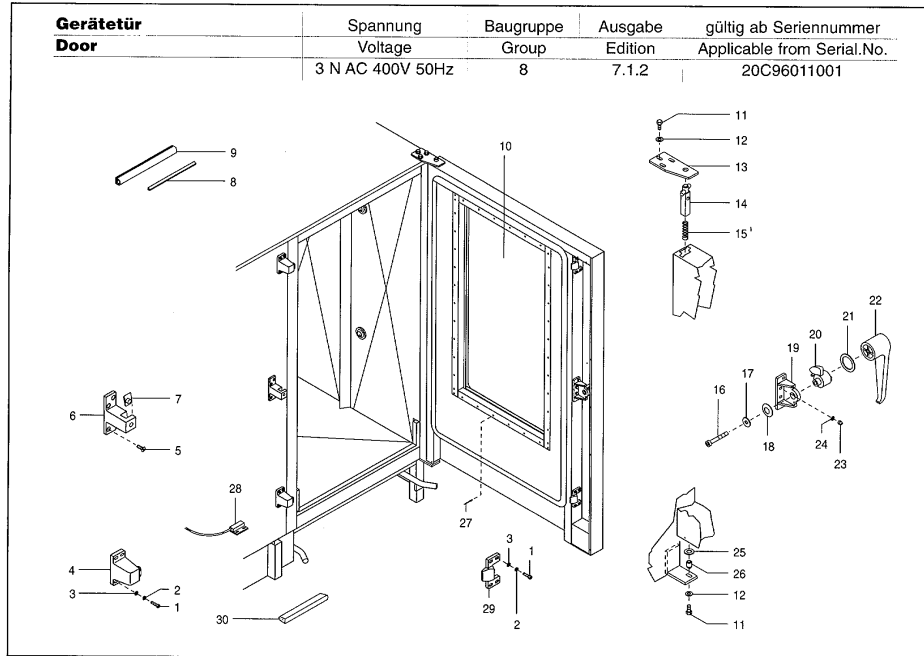


6

Pos.	Pcs.	Sp.	Part No.	Description	Sign.
-	2		3023.0501	interior lamp cpl.	
1	1		8011.1112	air baffle cpl.	
-	1		8000.0030	retrofit kit fat filter (incl. Pos. 2)	
2	2		2010.0715	fat filter (option)	
3	2		2043.0201	locking pin	
4	2		2043.0203	holder plate for quick acting closure	
5	2		2043.0202	locking tappet	
6	4		1604.0162	rivet 4x9mm	
7	2		3025.0002	lamp lens	
8	2		5012.0535	gasket	
9	2		3024.0200	bulb, heat resistant	
10	2		3023.0506	socket for interior lamp	H1,H2
11	1		2035.0111	nozzle for moistening	
12	1		3035.0608	sensor core temperature	



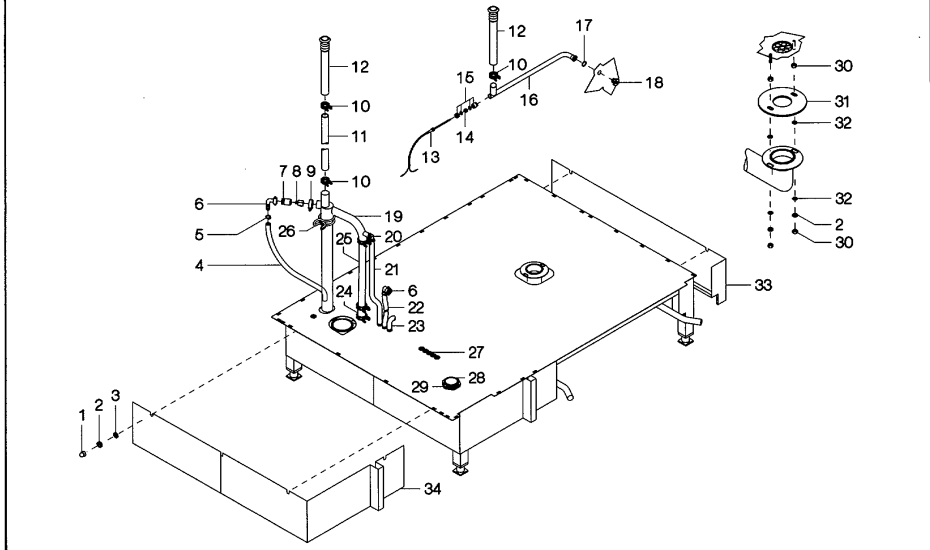
Pos.Pcs.	Sp.	Part No.	Description	Sign.	Pos.Pcs.	Sp.	Part No.	Description	Sign.
-	1	8202.71000489	door cpl.		28	1	3016.1403	door switch	S2
-	1	2016.1400	door lock cpl.		29	1	4016.0500	grommet	
			(pos. 16, 17, 18, 19, 20, 21, 22)		30	2	2016.1300	ball catch male	
1	16	1005.0661	hex socket head screw M5x20		31	1	5012.0551	set gasket for HGW	
2	16	1205.0360	spring washer A5,3						
3	16	1305.0260	washer A5,3						
4	2	2016.0604	ball catch female						
5	4	1006.1960	socket countersunk head cap screw M6x16						
6	1	2016.0603	door catch						
7	1	2016.0605	plastic insert						
8	1	5012.0204	set gasket for door window						
9	1	5012.0702	set door gasket						
10	1	5015.0804	door window						
11	4	1008.0763	hexagon cap screw M8x20						
12	4	1310.0160	washer A10,5						
13	1	2680.960168	door holder plate						
14	1	2016.0866	locking bolt						
15	1	2001.0106	compression spring						
16	1	2016.1456	socket countersunk head cap screw M10x70						
17	1	2016.1454	washer A10,5						
18	1	2016.1455	disc spring d20,5						
19	1	2016.1457	mounting base						
20	1	2016.1452	cam						
21	1	2016.1453	plastic washer						
22	1	2016.1450	door handle						
23	4	1106.0360	hex cap nut M6						
24	4	1306.0120	washer A6,4						
25	1	2031.0900	washer						
26	1	2016.0802	door bolt						
27	50	1603.0165	rivet 3,2x9,5						



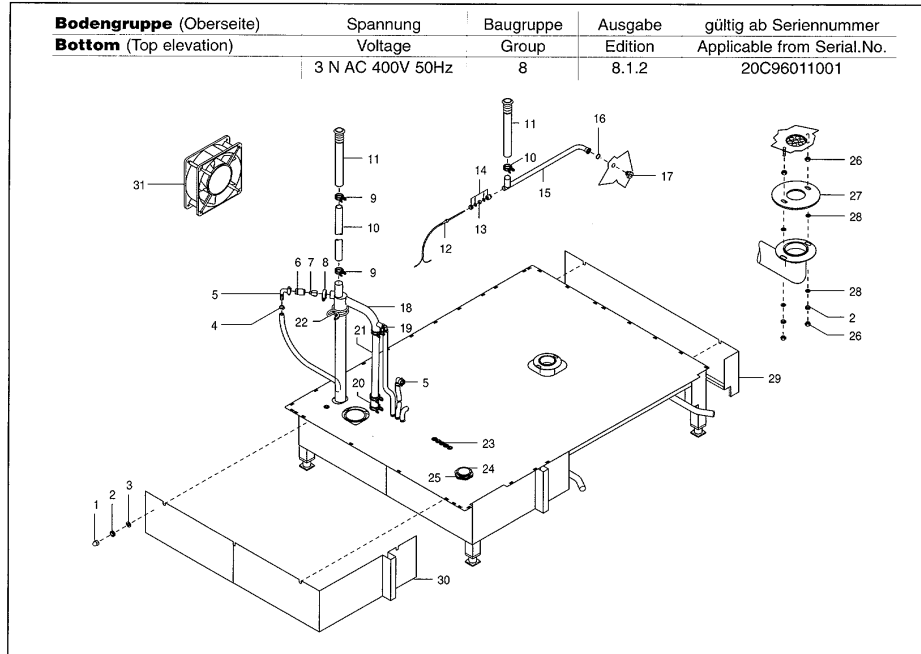
Pos.	St.	Ersatzl.Nr.	Bezeichnung	Description
Pos.	Pcs.	Sp. Part No.		
-	1	8202.75000489	Türe kpl. Typ 20, ohne Griff	Door cpl. type 20 without handle
-	1	2016.1400	Türschloß kpl.	Door lock cpl.
1	16	1005.0661	Zylinderschraube mit Innensechskant M5x20	Hex socket head screw M5x20
2	16	1205.0360	Federring d5	Spring-washer d5
3	16	1305.0260	Unterlegscheibe A5,3 DIN9021	Washer A5,3 DIN9021
4	2	2016.0604	Schließblock	Ball catch
5	4	1006.1960	Senkschraube mit Innensechskant M6x16	Hex socket countersunk head screw M6x16
6	1	2016.0603	Schließkloben	Door catch
7	1	2016.0605	Kunststoffeinsatz für Schließkloben	Plastic insert for door catch
8	1	5012.0204	Satz Dichtung für Scheibe 5,8 m Typ 20	Set gasket for washer 5,8 m type 20
9	1	5012.0702	Satz Türdichtung Typ 20	Set door gasket for type 20
10	1	5015.0804	Glasscheibe Typ 20	Door window CD/CM 20
11	4	1008.0763	Sechskantschraube M8x20	Hex screw M8x20
12	4	1310.0160	Unterlegscheibe A10,5	Washer A 10,5
13	1	2680.960168	Türhalteplatte ab 04/89	Bracket top for door
14	1	2016.0866	Rastknebel für Türe ab 04/89	Door stopping bolt cpl.
15	1	2001.0106	Druckfeder Tür ab 04/89	Compression spring door
16	1	2016.1456	Zylinderschraube mit Innensechskant M10x70	Hex socket head screw M10x70
17	1	2016.1454	Unterlegscheibe A10,5 für Türschloß	Washer A10,5 for door lock
18	1	2016.1455	Tellerfeder A40x20 für Türschloß	Disc spring A40x20 for door lock
19	1	2016.1457	Lagerbock	Mounting base
20	1	2016.1452	Schnecke	Cam
21	1	2016.1453	Kunststoffscheibe f. Türschloß	Plastic washer
22	1	2016.1450	Türgriff	Door handle
23	4	1106.0360	Hutmutter M6, hohe Form	Cap nut M6, high shape
24	4	1306.0120	Unterlegscheibe A6,4 DIN125	Washer A6,4
25	1	2031.0900	Unterlegscheibe d15 für Türe bis 04/89	Washer 15 mm door 201/20 up to 4/89
26	1	2016.0802	Türhaltebolzen d15x20	Door bolt d15x20
27	50	1603.0165	Blindniete 3,2x9,5	Rivet 3.2x9.5, CNS closed
28	1	3016.1415	Türkontaktschalter	Door contact switch
29	2	2016.1300	Schließplatte	Ball catch male
30	1	5012.0551	Satz Dichtung für HGW Typ 20	Set gasket for CD/CM 20

Bottom (Top elevation)

Voltage	Group	Page	Edition	Application from Serial. No.
3 N AC 380V 50Hz	8	8.1	8.1.1	20C90101001



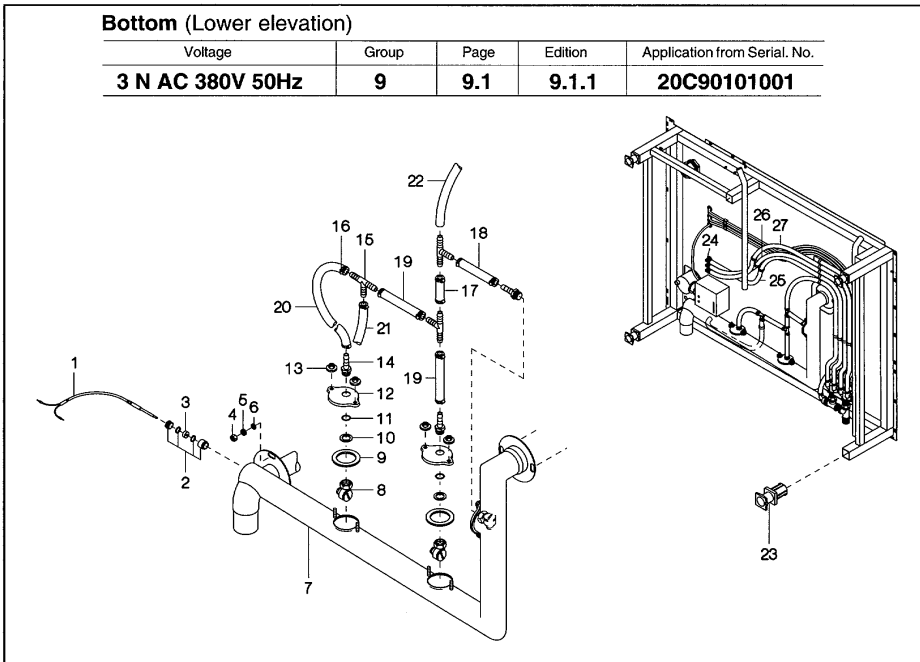
Pos.Pcs.	Sp.	Part No.	Description	Sign.	Pos.Pcs.	Sp.	Part No.	Description	Sign.
-	1	8612.0111	quenching nozzle cpl.		30	4	1106.0160	hex nut M6	
1	5	1106.0360	hex cap nut M6		31	1	5012.0555	gasket	
2	5	1306.0550	washer A6,4		32	5	1306.0221	washer A6,4	
3	7	1206.0120	toothed lock washer A6,4		33	1	2510.080149	bottom plate cover right	
4	1	2067.0156	pressure hose 440mm long		34	1	8402.0042	bottom plate cover left	
5	7	2066.0205	hose clamp 12-18mm						
6	1	2062.0208	threaded pipe angle G1/2"						
7	1	2016.0883	screwing for quenching nozzle						
8	1	2016.0915	quenching nozzle						
9	1	2066.0506	hose clamp 20-32mm						
10	5	2066.0518	hose clamp 30mm						
11	1	2610.420321	PP-pipe 820mm long						
12	2	4016.0101	vent connection						
13	1	3014.0156	sensor bypass						
14	1	2022.0100	gasket						
15	1	4007.0600	cable connection PG9						
16	1	2071.0102	bypass pipe						
17	1	1315.0104	copper washer						
18	1	2016.0920	bypass nozzle						
19	1	2022.0201	drain elbow						
20	1	2062.0301	plastic elbow fitting						
21	1	2067.0157	pressure hose 340mm long for steam generator filling						
22	1	2067.0132	pressure hose 815mm long for moistening						
23	1	2067.0110	pressure hose 360mm long for steam generator rinsing						
24	1	2022.0202	hose connection piece 40mm long						
25	1	2644.250288	PP-pipe 300mm long						
26	1	2066.0520	hose clamp 46mm						
27	10	2022.0101	grommet						
28	1	4007.0606	cable connection PG36						
29	1	4007.0607	lock nut for PG36						



Pos.	St.	Ersatzl.Nr.	Bezeichnung	Description
Pos.	Pcs.	Sp. Part No.		
-	-	2067.0050	Druckschlauch NW10 1 lfm.	Pressure hose NW10 per meter
-	1	8612.0111	Ablöschdüse oben komplett	Quench nozzle top
1	6	1106.0360	Hutmutter M6, hohe Form	Cap nut M6, high shape
2	6	1306.0550	Unterlegscheibe A6,6	Washer A6,6
3	8	1206.0120	Zahnscheibe A6,4	Toothed lock washer A6,4
4	7	2066.0205	Schlauchschele 12-18 mm	Hose clamp 12-18 mm
5	1	2062.0208	Winkelverschraubung G1/2"x10	Elbow Nipple 1/2"x10mm
6	1	2016.0883	Verschraubung Ablöschdüse ab 04/91	Threaded connection for quenching nozzle
7	1	2016.0915	Ablöschdüse oben	Quenching nozzle top
8	1	2066.0506	Schlauchschele 20-32mm	Hose clamp 20-32mm
9	6	2066.0518	Schlauchklemme 30mm	Hose clamp 30mm
10	1	2610.420321	PP-Rohr 820mm lang Ablaufbelüftung	PP-pipe 820 mm drain vent
11	2	4016.0101	Entlüftungstülle 250mm ab 04/91	Vent grommet 250mm from 04/91
12	1	3014.0156	Fühler Ablöschung/Bypass	Sensor bypass/quenching
13	1	2022.0100	Silikondurchführung rot 15x4mm	Silicone gasket red
14	1	4007.0600	Kabelverschraubung PG 9 Metall	Cable connection PG9
15	1	2071.0102	Bypassrohr Typ 20 ab 04/91	Bypass pipe type 20 from 04/91
16	1	1315.0104	Kupferdichtung 16x20x1,5	Copper washer 16x20x1,5
17	1	2016.0920	Bypassdüse ab 04/91	Bypass nozzle from 4/91
18	1	2022.0201	Abflußkrümmer ab 04/91	Drain elbow from 04/91
19	1	2062.0301	Winkelschlauchfitting WS 10	Angle fitting plastic WS 10
20	1	2022.0202	Schlauchstutzen 40mm SC-Pumpe	Hose connection piece 40 mm SC-pump
21	1	2644.250288	PP-Rohr 300mm Pumpenanschluß	PP-pipe 300 mm pump connection
22	1	2066.0520	Schlauchklemme d 47 mm	Hose clamp 47 mm
23	10	2022.0101	Durchführungstülle 18 mm	Grommet 18 mm
24	1	4007.0606	Kabelverschraubung PG36 mit Zugentlastung	Cable connection PG36 strain relief
25	1	4007.0607	Polyamid Sechskantmutter für PG36	Lock nut for PG36 poliamid
26	4	1106.0160	Sechskantmutter M6	Hex nut M6
27	1	5012.0555	Dichtung Bodenablauf ab 04/91	gasket for drain from 04/91
28	4	1306.0221	Unterlegscheibe A6,4 DIN9021	Washer A6,4 DIN125
29	1	2510.080149	Verkleidungsblech rechts Typ 20	Side panel right type 20
30	1	8402.0042	Bodenverkleidung links mit Handbrause	Bottom flank cover left with hand shower
31	1	3101.1008	Kühllüfter	Cooling motor

Bottom (Lower elevation)

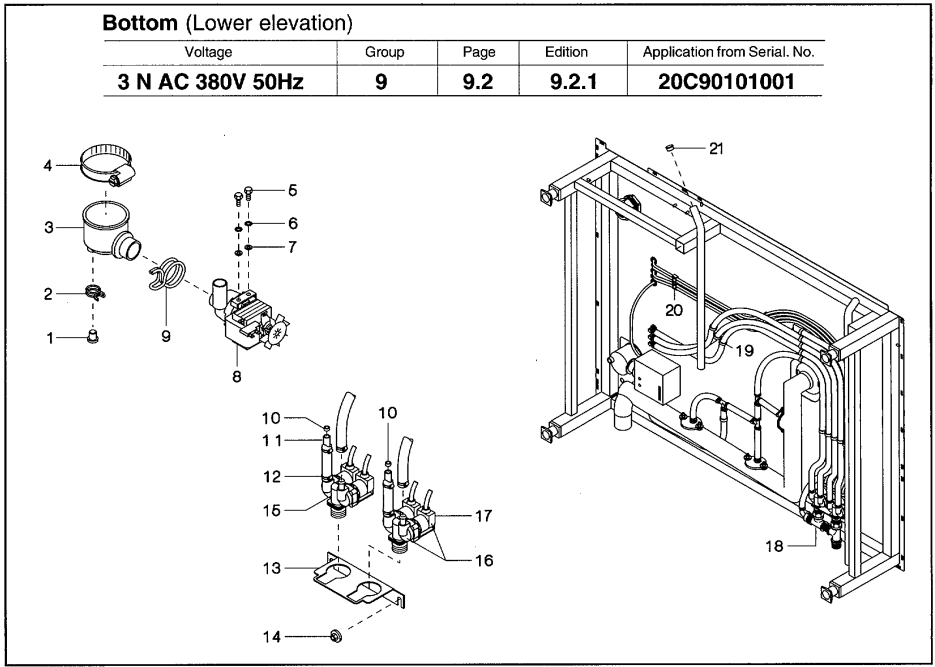
Voltage	Group	Page	Edition	Application from Serial. No.
3 N AC 380V 50Hz	9	9.1	9.1.1	20C90101001



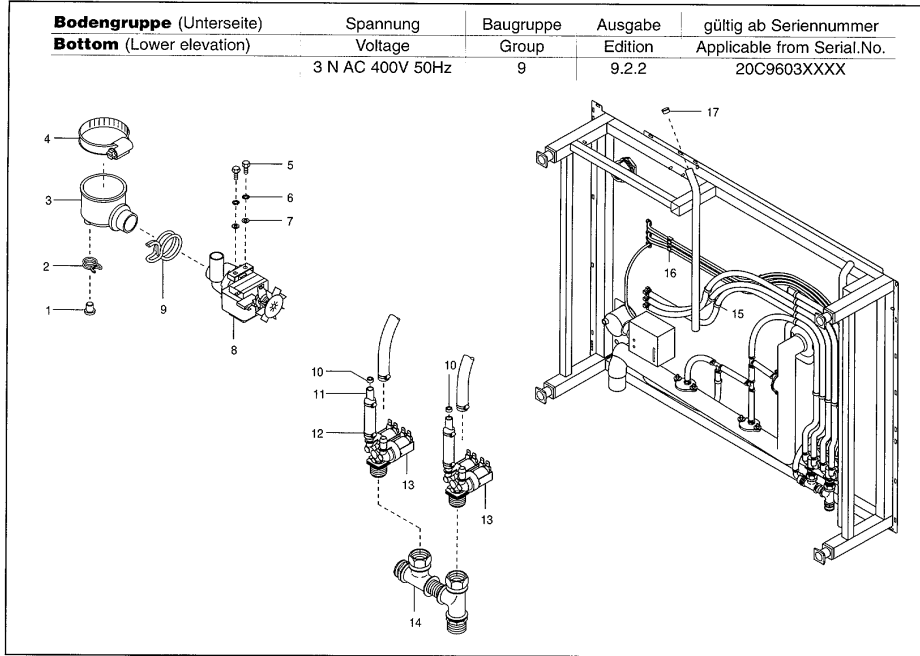
Pos.	Pcs.	Sp.	Part No.	Description	Sign.
-	3		8612.0103	quenching nozzle cpl. (pos.8,9,10,11,12,14)	
1	1		3014.0156	sensor quenching system	E2
2	1		4007.0600	cablc connection PG9	
3	1		2022.0100	gasket	
4	2		1106.0160	hex nut M6	
5	2		1206.0120	toothed lock washer A6,4	
6	2		1306.0221	washer A6,4	
7	1		2070.0040	drain system cpl.	
8	3		2016.0901	quenching nozzle	
9	3		2070.0020	gasket	
10	3		2580.600594	washer	
11	3		5012.0532	gasket	
12	3		2070.0021	cover	
13	6		1106.0801	hex-combi-nut M6	
14	3		2062.0102	hose fitting G3/8"	
15	3		2062.0302	T-fitting	
16	18		2066.0205	hose clamp 12-18mm	
17	1		2067.0150	pressure hose 60mm long	
18	1		2067.0107	pressure hose 105mm long	
19	2		2067.0108	pressure hose 120mm long	
20	1		2067.0155	pressure hose 230mm long	
21	1		2067.0129	pressure hose 470mm long	
22	1		2067.0132	pressure hose 815mm long	
23	4		2039.0111	foot adjustable	
24	3		2062.0301	plastic elbow fitting	
25	1		2067.0115	pressure hose 1220mm long for steam generator rinsing	
26	1		2067.0143	pressure hose 1270mm long for moistening	
27	1		2067.0147	pressure hose 1400mm long for steam generator filling	

Bottom (Lower elevation)

Voltage	Group	Page	Edition	Application from Serial. No.
3 N AC 380V 50Hz	9	9.2	9.2.1	20C90101001



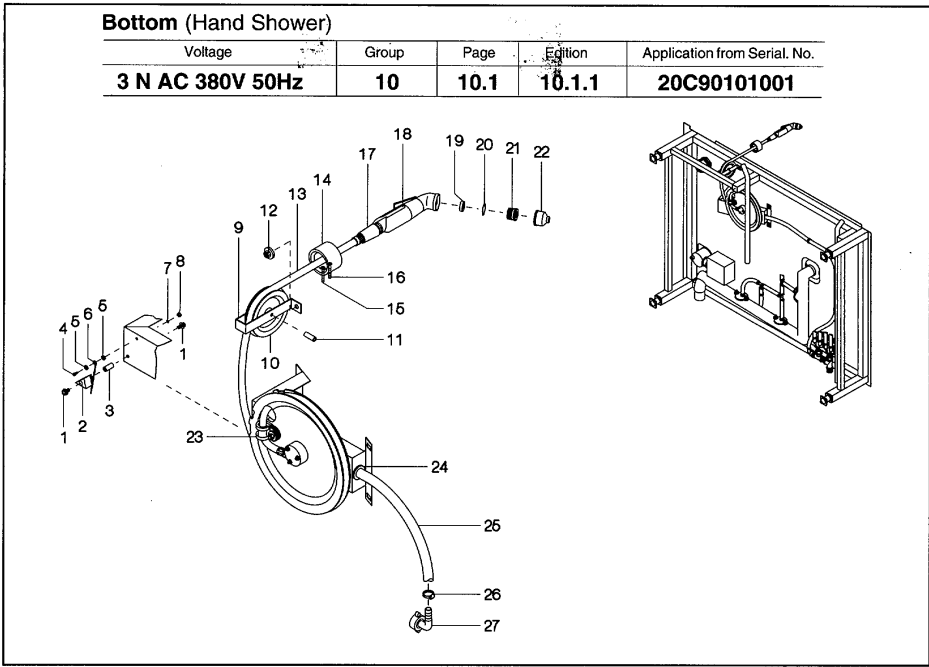
Pos.	Pcs.	Sp.	Part No.	Description	Sign.
1	1		2016.0873	end cap for pump connection	
2	1		2066.0517	hose clamp 18,2mm	
3	1		2022.0110	pump connection	
4	1		2066.0516	hose clamp 60-80mm	
5	2		1006.1960	hex screw M6x16	
6	2		1206.0120	toothhead lock washer A6,4	
7	2		1306.0120	washer A6,4	
8	1		3002.1000	discharging pump	M3
9	1		2066.0519	hose clamp 35,6mm	
10	2		1900.0103	flow regulator orange	
11	2		2016.0867	socket for flow regulator	
12	5		2066.0205	hose clamp 12-18mm	
13	1		2580.721120	bracket holder solenoid valve	
14	2		1106.0801	hex-combi-nut M6	
15	2		3002.0314	body for double solenoid valve	
16	2		3002.0304	double solenoid valve cpl.	
17	4		3002.0324	coil for solenoid valve	
18	1		8621.0100	set water connection	
19	13		4006.0203	cable clamp	
20	10		4006.0201	cable clamp	
21	3		2039.0204	plastic cap	



Pos.	St.	Ersatz.Nr.	Bezeichnung	Description
Pos.	Pcs.	Sp. Part No.		
-	-	2067.0050	Druckschlauch NW10 1 lfm.	Pressure hose NW10 per meter
1	1	2016.0873	Stopfen für Pumpenanschluß	Plug for pump connection
2	1	2066.0517	Schlauchklemme 18,2mm	Hose clamp 18,2mm
3	1	2022.0110	Pumpenanschluss ab 04/91	Pump connection from 04/91
4	1	2066.0516	Schlauchschele 60-80mm	Hose clamp 60x80 mm
5	2	1006.1960	Senkschraube mit Innensechskant M6x16	Hex socket countersunk head screw M6x16
6	2	1206.0120	Zahnscheibe A6,4	Toothed lock washer A6,4
7	2	1306.0120	Unterlegscheibe A6,4 DIN125	Washer A6,4
8	1	3002.1000	Entleerungspumpe 200-240 V, 50/60 Hz	Emptying pump 200-240V 50/60 Hz
9	1	2066.0519	Schlauchklemme d 35,6 mm	Hose clamp 35,6mm
10	2	1900.0103	Durchflußmengenregler orange, Typ 20	Flow controller orange
11	2	2016.0867	Aufnahme für Durchflußmengenregler	Socket for flow controller
12	5	2066.0205	Schlauchschele 12-18 mm	Hose clamp 12-18 mm
13	2	3002.0330	Doppelmagnetventil kpl. 220-240V 50Hz	Double solenoid valve unit 220-240V 50 Hz
14	1	8621.0100	Fittingssatz-Wasseranschluß	Fitting set water connection
15	13	4006.0203	Befestigungsschele PL-KK PA 6 FL	Fixing clip for pressure hose
16	10	4006.0201	Kabelbefestigung Magnetventil schwarz 10 Stk.	Fixing clip for solenoid cable 10 ea
17	3	2039.0204	PVC-Lamellenkappe Typ 201/20	PVC- end cap type 201/20

Bottom (Hand Shower)

Voltage	Group	Page	Edition	Application from Serial. No.
3 N AC 380V 50Hz	10	10.1	10.1.1	20C90101001



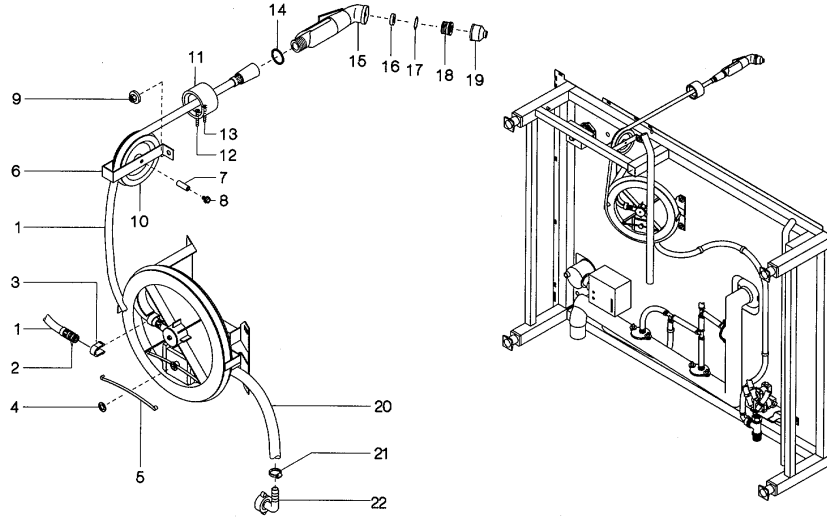
Pos.	Pcs.	Sp.	Part No.	Description	Sign.
-	1		8410.1002	hand shower cpl.	
1	4		1005.2000	safety screw M5x8	
2	1		2060.0120	notch lever	
3	1		2060.0115	axle for notch lever	
4	1		1004.0061	slotted pan head screw M4x8	
5	2		1304.0160	washer A4,3	
6	1		2001.0300	notch spring	
7	1		1204.0120	toothed lock washer A4,3	
8	1		1104.0120	hex nut M4	
9	1		2510.640687	holder for hose reel	
10	1		2060.0112	hose reel	
11	1		2016.0878	axle for hose reel	
12	6		1106.0801	hex-combi-nut M6	
13	1		2067.0604	shower hose	
14	1		2060.0113	tulip	
15	1		1104.0664	hex socket head cap screw M4x16	
16	1		1004.0430	head screw M4x16	
17	1		2060.0110	revolving joint	
18	1		2060.0100	hand shower (incl. pos. 19, 20, 21, 22)	
19	1		2060.0218	gasket	
20	1		2060.0217	O-ring	
21	1		2060.0216	head screw	
22	1		2060.0215	mouthpiece	
23	1		2066.0510	hose clamp with rubber core	
24	1		4016.0500	grommet	
25	1		2067.0113	pressure hose 1100mm long	
26	1		2066.0205	hose clamp 12-18mm	
27	1		2062.0203	threaded pipe angle G1/2"	



Combi-Steamer CC 20

Bottom (Hand Shower)

Voltage	Group	Page	Edition	Application from Serial. No.
3 N AC 380V 50Hz	10	10.3	10.3.2	20C92121134



Pos.	Pcs.	Sp.	Part No.	Description	Sign.
-	1		8410.1016	hand shower roll guide cpl.	
-	1		8630.0106	holder for hose reel cpl. (pos. 6,7,8,10)	
1	1		2067.0605	shower hose	
2	2		2060.0228	gasket for shower hose	
3	1		2060.0152	climp for shower hose	
4	1		2001.0203	lock washer	
5	1		2001.0202	fastening spring	
6	1		2510.640687	holder for hose reel	
7	1		2016.0878	axle for hose reel	
8	2		1005.2000	safety screw M5x8	
9	2		1106.0801	hex-combi-nut M6	
10	1		2060.0112	hose reel	
11	1		2060.0121	tulip	
12	1		1004.0430	slotted countersunk screw M4x16	
13	1		1004.0664	hex socket head screw M4x16	
14	1		5012.0536	gasket for shower hose	
15	1		2060.0100	hand shower cpl. (incl. pos. 16,17,18,19)	
16	1		2060.0218	gasket	
17	1		2060.0217	O-ring	
18	1		2060.0216	head screw	
19	1		2060.0215	mouthpiece	
20	1		2067.0060	pressure hose 900mm long	
21	2		2066.0205	hose clamp 12-18mm	
22	1		2062.0203	threaded pipe angle G3/4"	

Miscellaneous

Pos.Pcs.	Sp. Part No.	Description	Sign.
1	1003.2260	slotted raised countersunk head screw 4,2x16	
2	1004.2160	hex head tapping screw 4,2x16	
3	1104.0821	climp V2A	
4	1311.0420	rosette 5x12,5	
5	2001.0042	screw locking, heat resistant 10ml	
6	2005.0403	castor without brake	
7	2005.0404	castor with brake	
8	2067.0050	pressure hose NW10 1m	
9	4002.0100	cable shoes 2,5x6,3	
10	5006.0200	silicone (tube)	
11	5006.0500	gule for insulation plate steam generator	
12	5009.1400	insulation steam generator cpl.	
13	6004 .0100	spray-pistol	
14	6004.0101	lengthening piece for spray-pistol	
15	6004.0102	gasket for spray-pistol	
16	6004.0200	hand pump for descaler	
17	6004.0202	lamp lens key	
18	6006.0101	RATIONAL special cleaning agent	
19	6006.0110	RATIONAL descaler	
20	8400.3012	handle for mobile oven rack	
21	9003.0202	graphite grease Unimol Plus	
22	9006.0701	copper grease 1l	
23	9006.0850	stainless steel cleaning paste	