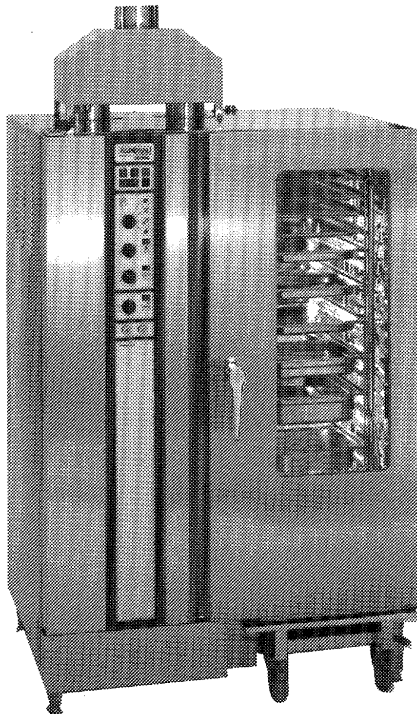




Spare Parts List



Combi-Steamer CM 201 Gas

Important:

Please use only
Original **RATIONAL** Spare Parts.
When ordering Spare Parts
please do always indicate:

- Unit Number
- Spare Part Number
- Spare Part Description

Note:

We reserve ourselves the right to
execute technical modifications which
serve the improvement of the product
and the technical progress without giving
advanced notice.

Control Panel

Service Door Electric Components

Service Modul Gas Components

Steam Generator

Hot Air Heat Exchanger

Motor and Fan Wheel

Interior Cabinet

Door

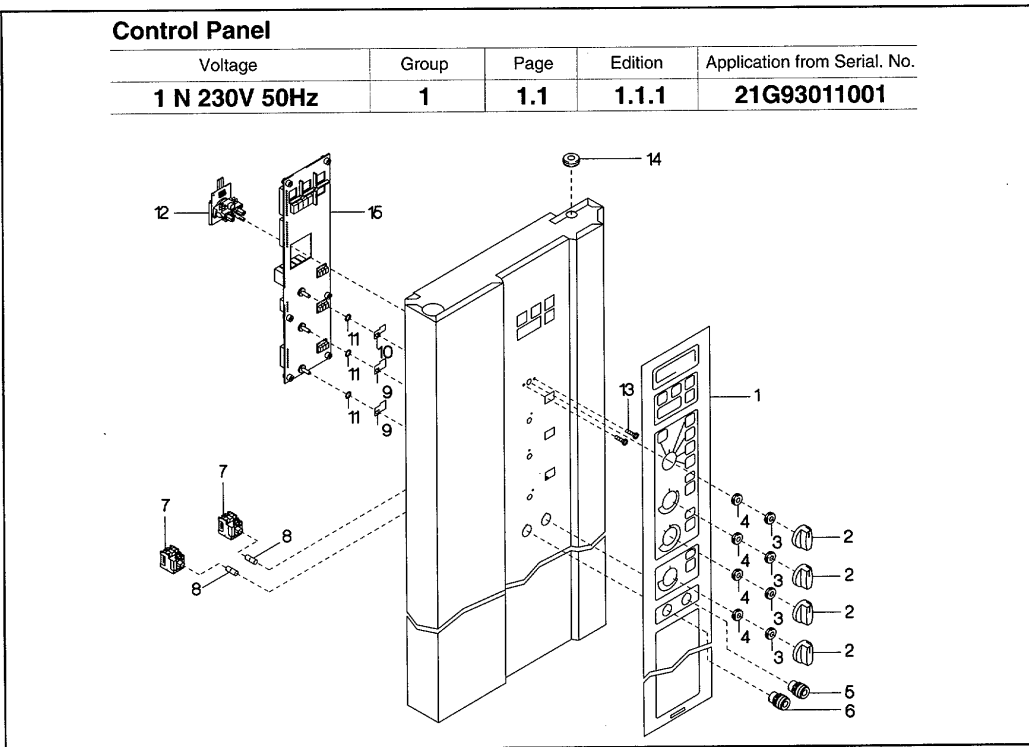
Bottom

Hand Shower

Miscellaneous

Control Panel

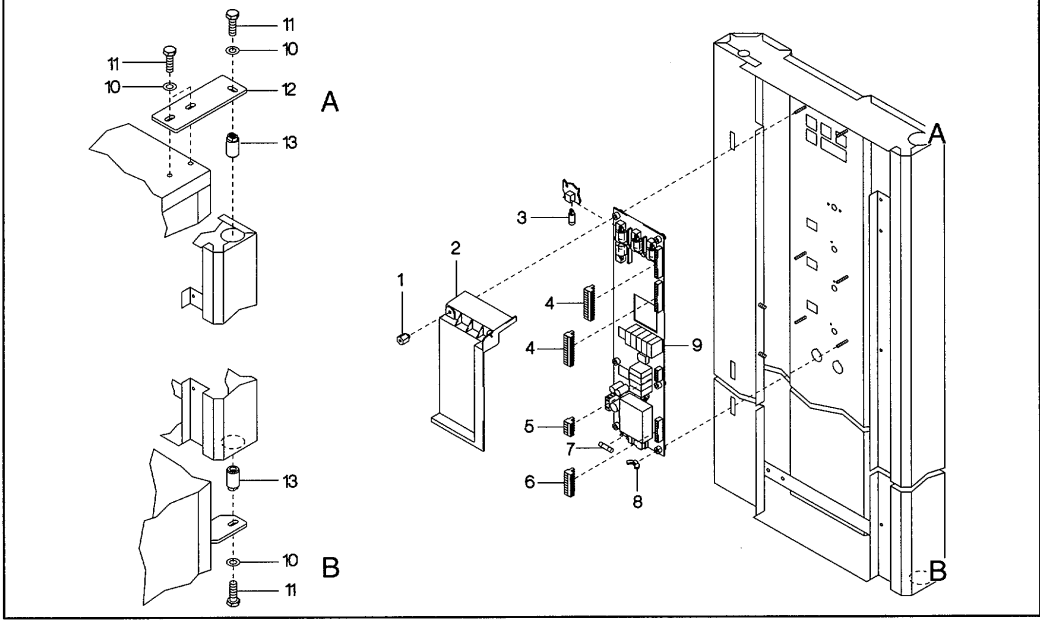
Voltage	Group	Page	Edition	Application from Serial. No.
1 N 230V 50Hz	1	1.1	1.1.1	21G93011001



Pos.	Pcs.	Sp.	Part No.	Description	Sign.
1	1		2052.7000	control panel	
2	4		3013.0330	dial	
3	4		5012.0554	silicon dial gasket	
4	4		2022.0104	grommet	
5	1		3016.1353	hot air reset push button	S4
6	1		3016.1354	steam reset push button	S5
7	2		3016.1350	luminous key insert	S4,S5
8	2		3024.0301	glow lamp	
9	2		2510.520731	stop for poti core temp./ timer	
10	1		2510.530746	stop for poti hot air	
11	4		1315.0101	copper washer	
12	1		3016.1631	mode switch block	S1
13	2		1004.0061	slotted pan head screw M4x8	
14	1		4007.0610	grommet	
15	1		3040.0121	pcb complete	

Control Panel

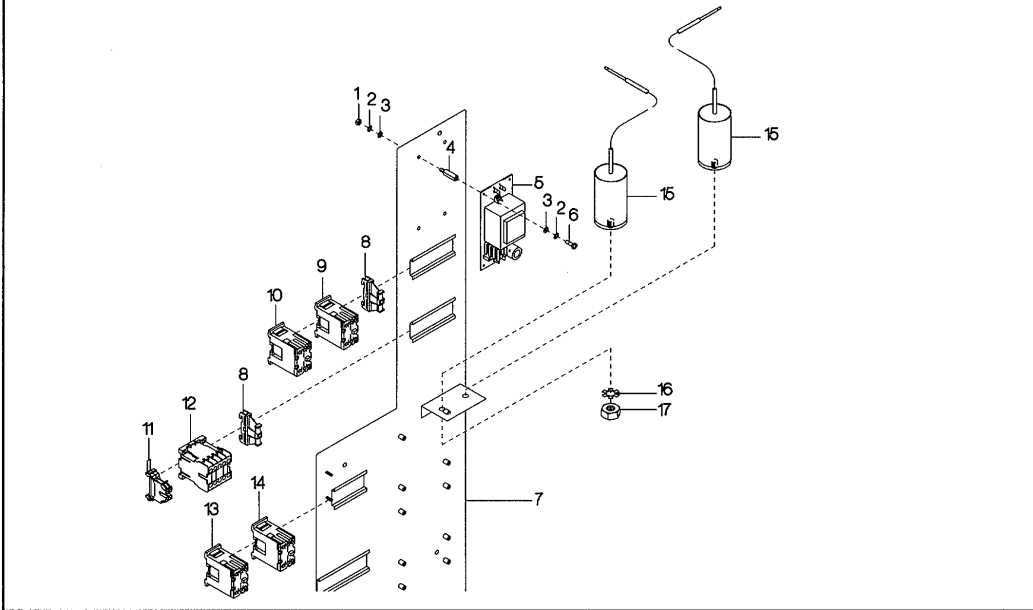
Voltage	Group	Page	Edition	Application from Serial. No.
1 N 230V 50Hz	1	1.2	1.2.1	21G93011001



Pos.	Pcs.	Sp.	Part No.	Description	Sign.
1	1		1116.0101	sleeve nut M4	
2	1		2039.0317	cover for pcb	
3	4		3024.0210	bulb	
4	2		3040.0199	multipoint connector BL12	
5	1		3040.0195	multipoint connector BL5	
6	1		3040.0179	multipoint connector BL9	
7	1		3019.0116	fuse 0,125A	F6
8	6		1104.0500	wing-nut M4	
9	1		3040.0121	pcb complete	A1
10	4		1310.0160	washer A10,5	
11	4		1008.0763	hex screw M8x20	
12	1		2814.1003	bracket top for service door	
13	2		2016.0802	bolt	

Service Door, Electric Components

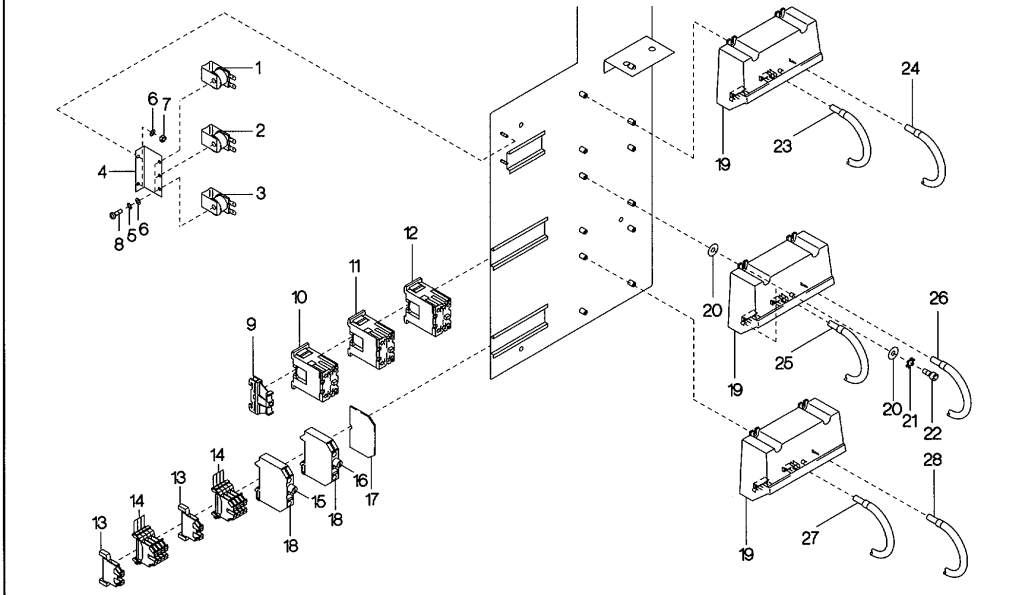
Voltage	Group	Page	Edition	Application from Serial. No.
1 N 230V 50Hz	2	2.1	2.1.1	21G93011001



Pos.	Pcs.	Sp.	Part No.	Description	Sign.
1	4		1103.0120	hex nut M3	
2	8		1203.0120	toothed lock washer A3,2	
3	8		1304.0150	washer A3,2	
4	4		1403.0165	distance bolt M3x15	
5	1		3037.0218	power pack gas valve 230V	A2
6	4		1003.0020	pan head screw M3x10	
7	1		8952.7000	mounting plate welded	
8	2		4001.1203	end plate	
9	1		3028.0111	contactor stop 2 hot air	K4
10	1		3028.0111	contactor stop 2 steam	K3
11	2		4001.1216	terminal block 4mm ²	
12	1		3028.0501	contactor fan motor	K2
13	1		3028.0110	contactor alarm steam	K5
14	1		3028.0111	contactor interior light	K1
11	2		3035.0518	motor capacitor	C2,C2
12	2		1108.0260	hex nut M8	
13	2		1208.0160	toothed lock washer A8,4	

Service Door, Electric Components

Voltage	Group	Page	Edition	Application from Serial. No.
1 N 230V 50Hz	2	2.1	2.2.1	21G93011001



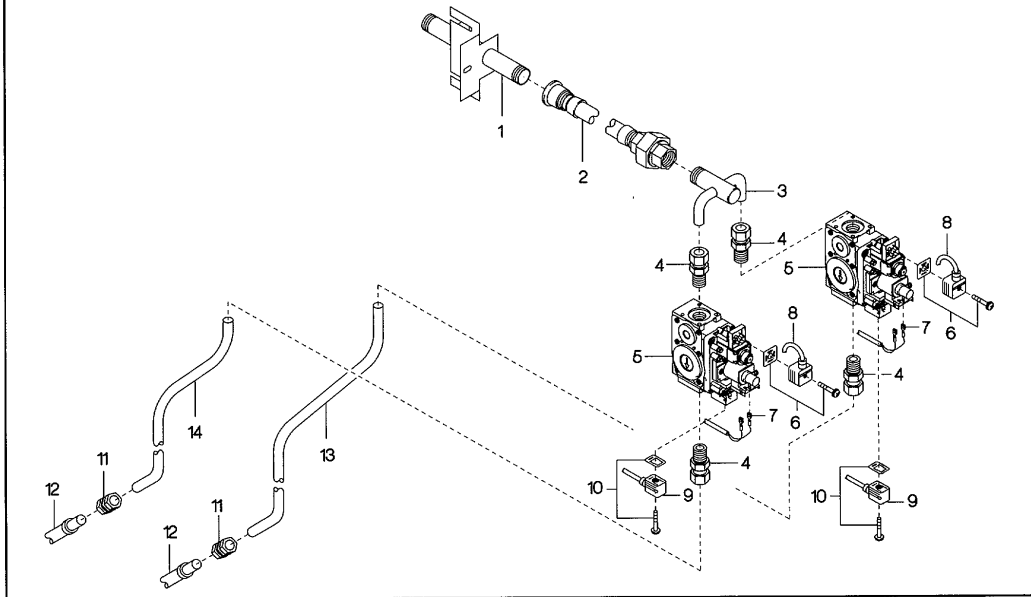
Pos.	Pcs.	Sp. Part No.	Description	Sign.
1	1	3006.0101	alarm buzzer steam	T3
2	1	3006.0101	alarm buzzer hot air	T2
3	1	3006.0101	alarm buzzer timer	T1
4	1	2760.1011	holder for alarm buzzer	
5	3	1304.0150	washer A3,2	
6	6	1203.0120	toothed lock washer A3,2	
7	2	1103.0120	hex nut M3	
8	3	1003.0120	hex screw M3x10	
9	1	4001.1203	end plate	
10	1	3028.0110	contactor alarm steam	K6
11	1	3028.0111	contactor conect F8/F9	K7
12	1	3028.0111	contactor reset steam	K8
13	2	4001.1222	terminal block 4mm ² yellow-green	
14	8	4001.1216	terminal block 4mm ²	
15	1	3019.0200	fuse 6,3A	F1
16	1	3019.0400	fuse 0,5A	F2
17	1	4001.1227	cover for fuse holder	
18	2	4001.1228	fuse holder	F1,F2
19	3	3039.0103	automatic gas igniter	F7-F9
20	24	1306.0218	washer A4,3	
21	12	1204.0120	toothed lock washer A4,3	
22	12	1004.0664	slotted pan head screw M4x16	
23	1	8801.1077	hot air ignition cable	
24	1	8801.1078	connecting cable monitoring hot air	
25	1	8801.1079	steam ignition cable	
26	1	8801.1080	connecting cable monitoring steam	
27	1	8801.1081	steam ignition cable	
28	1	8801.1082	connecting cable monitoring steam	



Combi-Steamer CM 201 Gas

Service Module Gas Components

Voltage	Group	Page	Edition	Application from Serial. No.
1 N 230V 50Hz	3	3.1	3.1.1	21G93011001

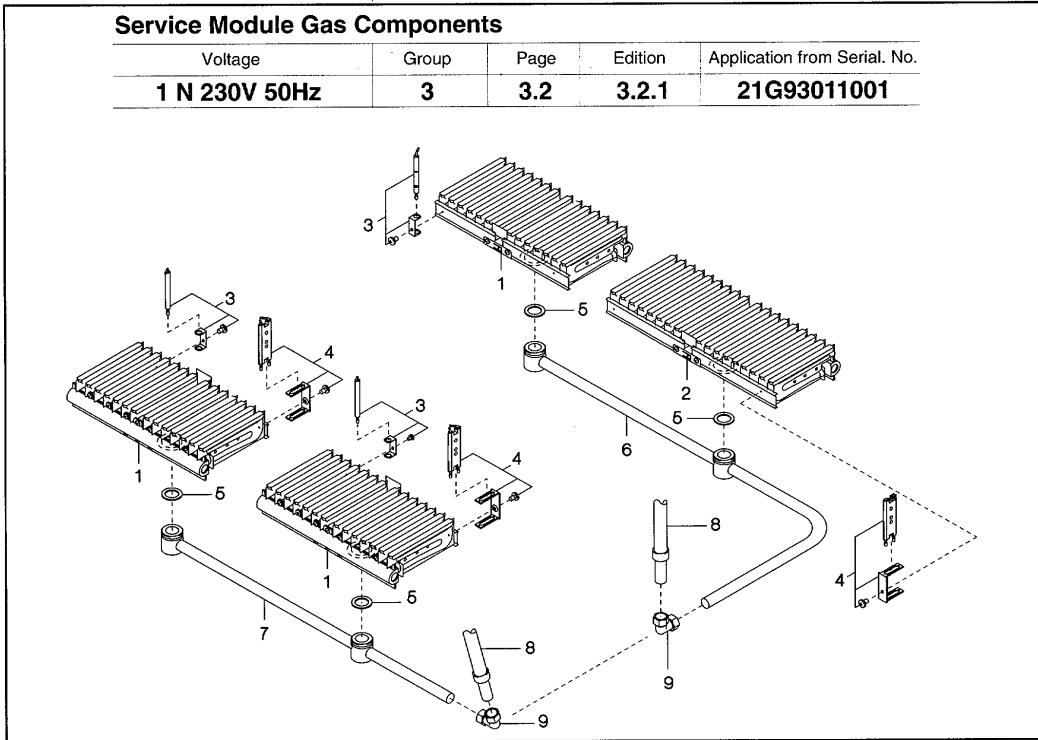


3

Pos.	Pcs.	Sp.	Part No.	Description	Sign.
1	1		8668.1010	connecting pipe 3/4"	
2	1		2115.1001	gas tube 3/4"	
3	1		2910.1000	valve connecting pipe	
4	4		2036.0604	straight threaded joint	
5	2		3039.0220	gas valve natural gas	Y3-Y8
-	2		3039.0230	burner pressure adjusting screw, natural gas, white	
5	2		3039.0221	gas valve lpg gas	Y3-Y8
-	2		3039.0231	burner pressure adjusting screw, lpg gas, red	
6	2		3039.0208	seal and screw	
7	2		8801.1064	gas valve full-load connecting cable	
8	2		3039.0207	gas valve input connecting cable	
9	2		3039.0205	gas valve output connecting cable	
10	2		3039.0206	seal and screw	
11	2		2036.0606	coupling right and left	
12	1		2036.0610	gas tube DN12 1300mm long	
13	1		2910.1001	connecting pipe right	
14	1		2910.1002	connecting pipe left	

Service Module Gas Components

Voltage	Group	Page	Edition	Application from Serial. No.
1 N 230V 50Hz	3	3.2	3.2.1	21G93011001

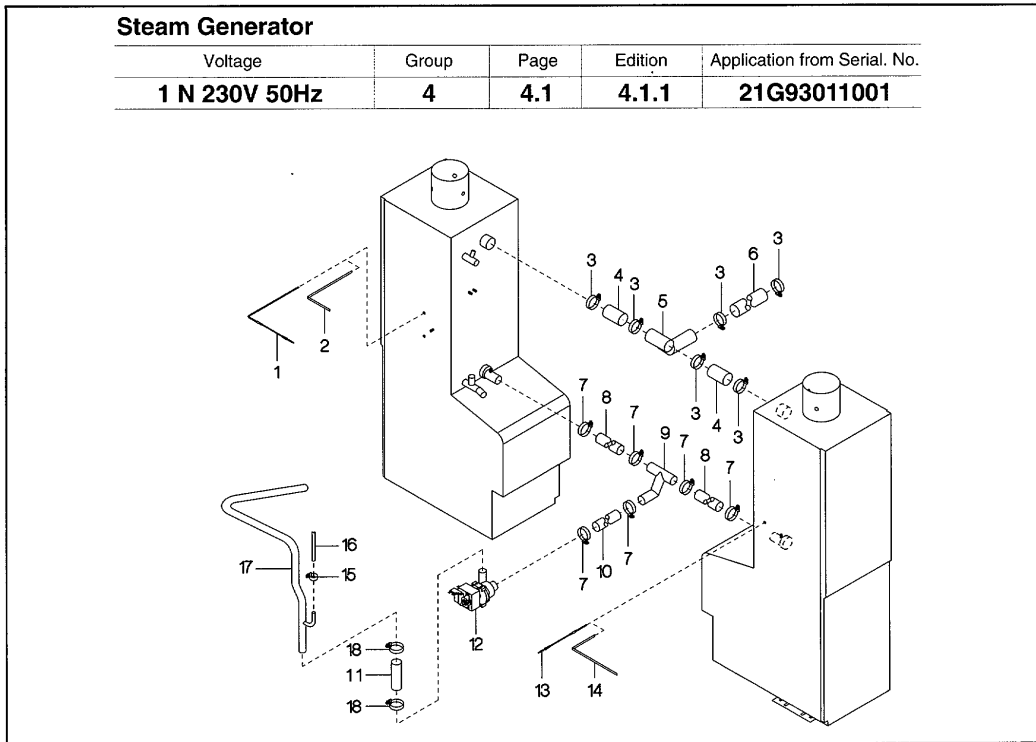


3

Pos.	Pcs.	Sp.	Part No.	Description	Sign.
-	1		8672.1000	natural gas service module cpl.	
-	1		8672.1001	lpg gas service module cpl.	
1	3		2068.0228	burner natural gas 14R-1.1	
-	3		2068.0229	burner lpg gas 14R-0.62	
2	1		2068.0225	burner natural gas 18R-1.1	
-	1		2068.0227	burner lpg gas 18R-0.62	
3	3		2068.0152	flame monitoring electrode	
4	3		2068.0153	ignition and earth electrode	
5	4		5012.0534	gasket, fitting mainburner	
6	1		8668.1006	connecting pipe	
7	1		8668.1001	connecting pipe	
8	2		2115.1001	gas tube DN12 1300mm long	
9	2		2036.0601	ermeto-angle 90°	

Steam Generator

Voltage	Group	Page	Edition	Application from Serial. No.
1 N 230V 50Hz	4	4.1	4.1.1	21G93011001



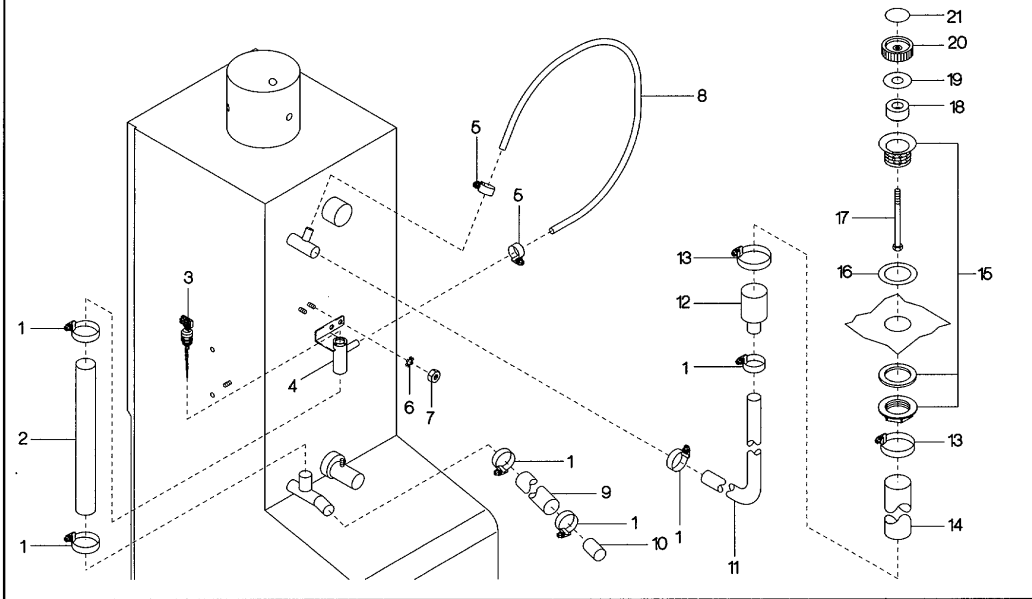
Pos.	Pcs.	Sp. Part No.	Description	Sign.
-	1	8720.1014	steam generator cpl.	
1	1	3014.0157	thermocouple	B1
2	1	2577.381578	clamping plate for thermocouple	
3	6	2066.0504	hose clamp 40-60mm	
4	1	2067.0201	steam hose 60mm long	
5	1	2910.1012	T-Fitting	
6	1	2067.0209	steam hose 90mm long	
7	6	2066.0518	hose clamp 30mm	
8	1	2067.1633	silicone hose 60mm long	
9	1	2910.1013	T-Fitting	
10	2	2067.1634	silicone hose 50mm long	
11	1	2067.1620	silicone hose 100mm long	
12	1	3002.1000	discharging pump	M2
13	1	3014.0320	dry-up protector 173°C	F5
14	1	2577.371577	clamping plate for dry-up protector	
15	1	2066.0205	hose clamp 12-18mm	
16	1	2067.0133	pressure hose 2070mm long	
17	1	2910.1011	connecting pipe drain / discharging pump	
18	2	2066.0506	hose clamp 20-32mm	



Combi-Steamer CM 201 Gas

Steam Generator

Voltage	Group	Page	Edition	Application from Serial. No.
1 N 230V 50Hz	4	4.2	4.2.1	21G93011001

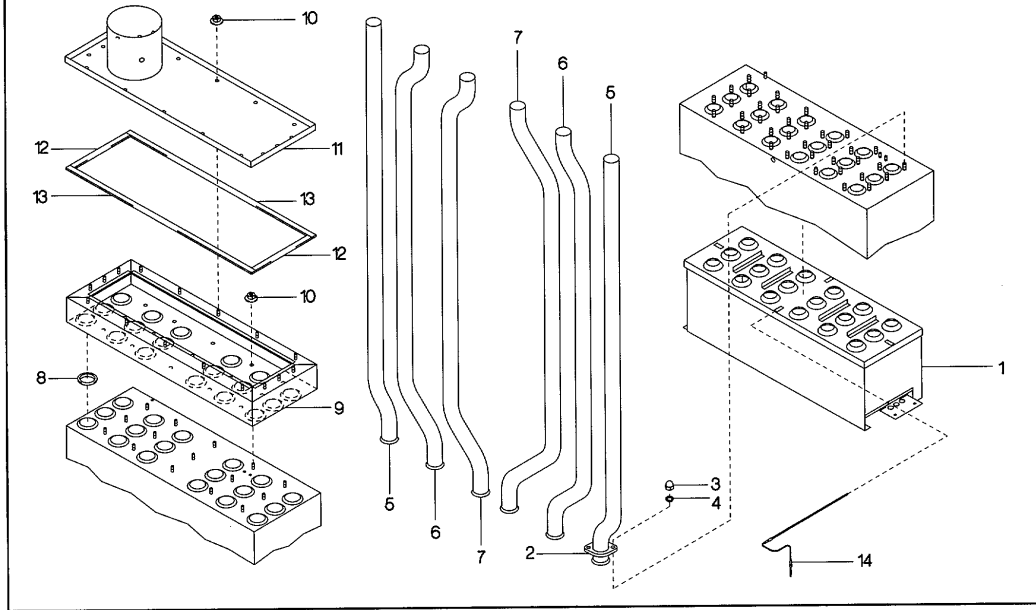


4

Pos.	Pcs.	Sp.	Part No.	Description	Sign.
-	1		8450.0200	safety valve cpl.	
1	6		2066.0506	hose clamp 20-32mm	
2	1		2067.1618	silicone hose 290mm long	
3	1		3002.0404	filling electrode	
4	1		8300.2300	mounting for filling electrode	S3
5	2		2066.0205	hose clamp 12-18mm	
6	2		1206.0120	toothed lock washer A6,4	
7	2		1106.0160	hex nut M6	
8	1		2067.0129	pressure hose 470mm long	
9	1		2067.1619	silicone hose 70mm long	
10	1		8300.2207	stopper for emergency outlet	
11	1		2112.1001	silicone hose 700mm long	
12	1		2910.1004	grommet for safety valve	
13	2		2066.0504	hose clamp 40-60mm	
14	1		2067.0209	steam hose 90mm long	
15	1		2064.0101	valve body	
16	1		5012.0527	gasket	
17	1		1008.0764	hex screw M8x110	
18	1		2026.0201	cone	
19	1		5012.0526	gasket	
20	1		2020.0301	plastic handle	
21	1		2049.0800	cover plate	

Hot Air Heat Exchanger

Voltage	Group	Page	Edition	Application from Serial. No.
1 N 230V 50Hz	5	5.1	5.1.1	21G93011001

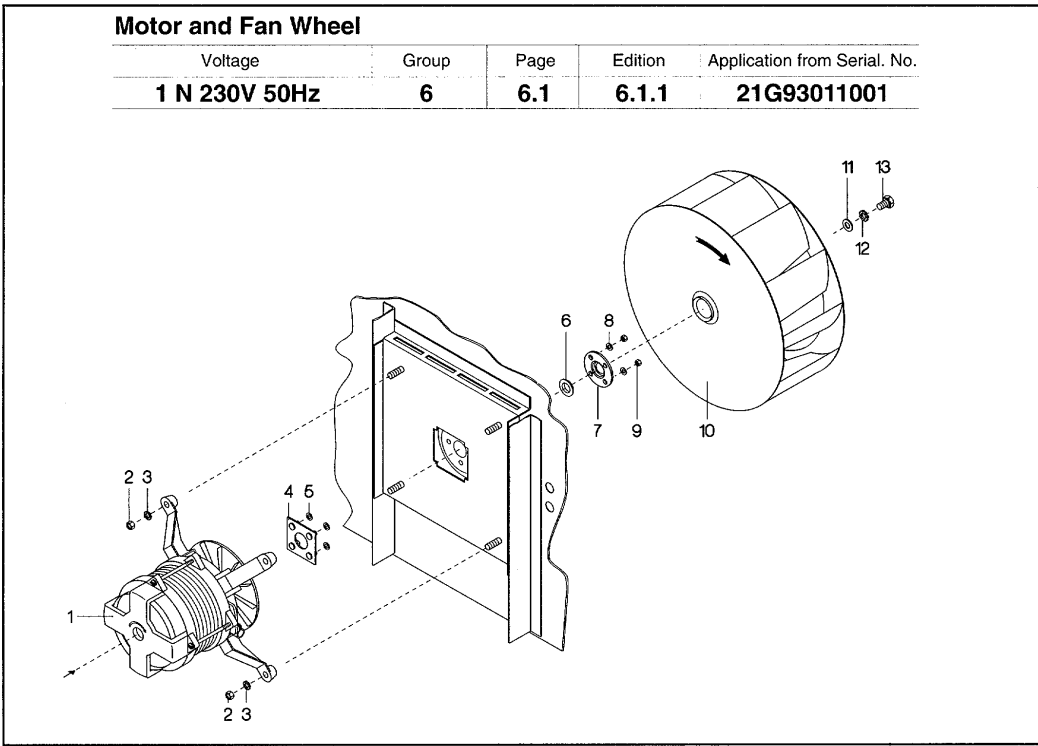


5

Pos.	Pcs.	Sp. Part No.	Description	Sign.
1	1	8519.1002	flame funnel cpl.	
2	18	2550.031595	holding flange	
3	36	1108.0320	hex cap nut M8	
4	36	1208.0260	spring washer d8	
5	6	2910.1009	outer heat exchanger pipes	
6	6	2910.1010	center heat exchanger pipes	
7	6	2910.1008	inner heat exchanger pipes	
8	18	5001.0212	graphite packing	
9	1	8514.1005	flue gas collecting chamber	
10	31	1106.0801	hex-combi-nut M6	
11	1	8514.1004	top cover flue gas collecting chamber	
12	2	5006.0106	rope gasket 230mm long	
13	2	5006.0108	rope gasket 625mm long	
14	1	3014.0157	thermocouple	B2
			hot air heat exchanger	

Motor and Fan Wheel

Voltage	Group	Page	Edition	Application from Serial. No.
1 N 230V 50Hz	6	6.1	6.1.1	21G93011001



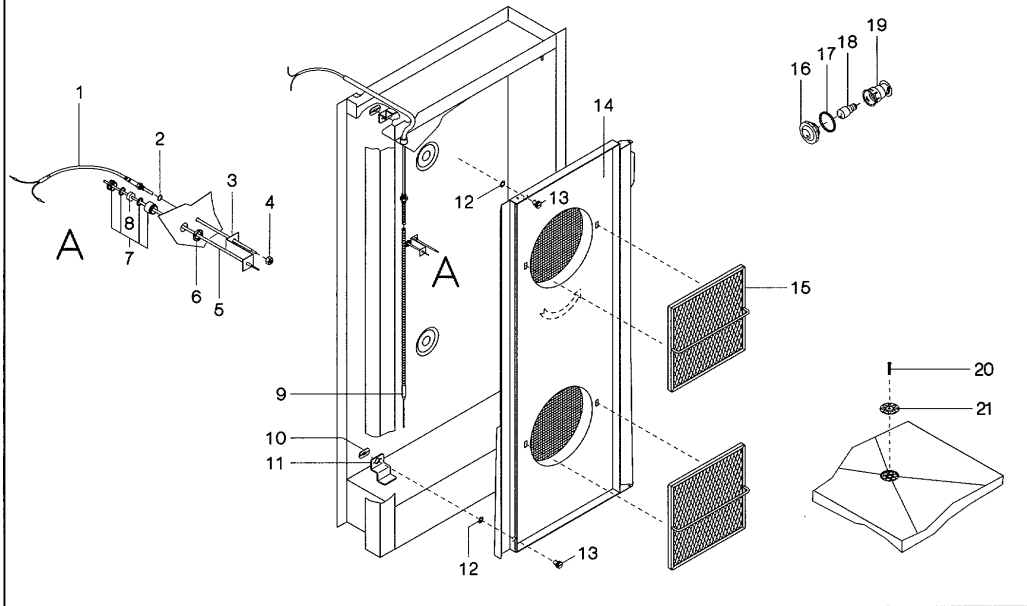
Pos.	Pcs.	Sp. Part No.	Description	Sign.
1	2	3001.0441	motor	M1,M2
2	8	1108.0260	hex nut M8	
3	8	1208.0160	toothed lock washer A8,4	
4	2	8506.0104	holder plate	
5	8	1315.0101	copper washer	
6	2	5001.0207	motor gasket	
7	2	2016.0876	gasket flange	
8	8	1306.0120	washer A6,4	
9	8	1106.0220	hex nut M6 flat	
10	2	2012.0500	fan wheel	
11	2	1310.0160	washer A10,5	
12	2	1210.0160	toothed lock washer A10,5	
13	2	1010.0760	hex screw M10x16	



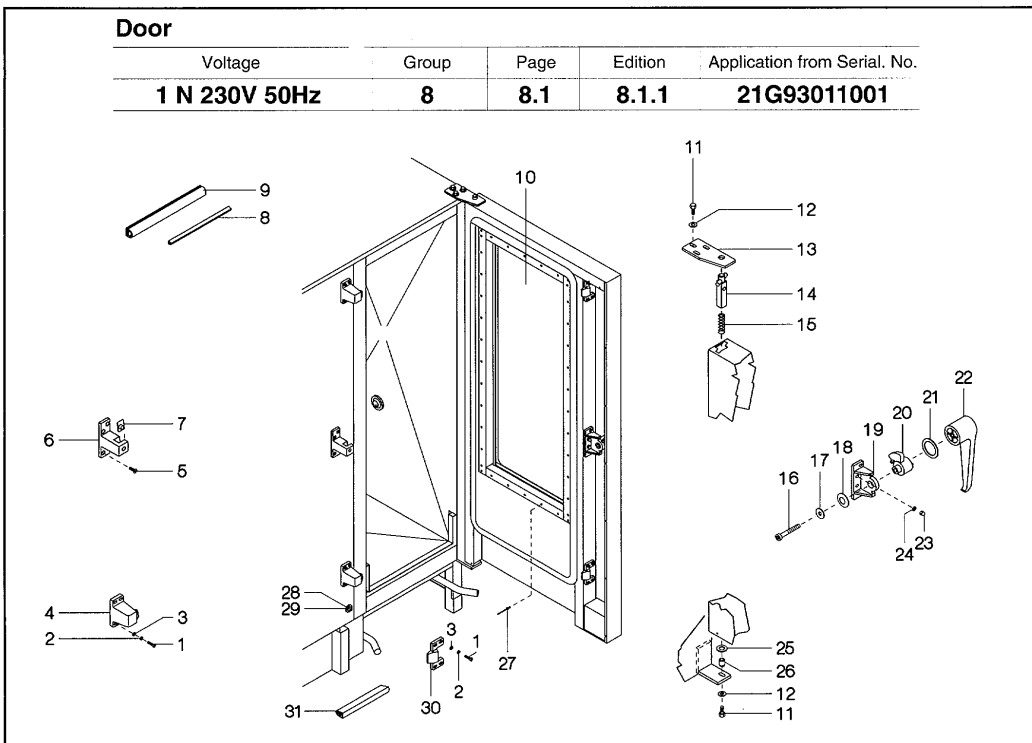
Combi-Steamer CM 201 Gas

Interior Cabinet

Voltage	Group	Page	Edition	Application from Serial. No.
1 N 230V 50Hz	7	7.1	7.1.1	21G93011001



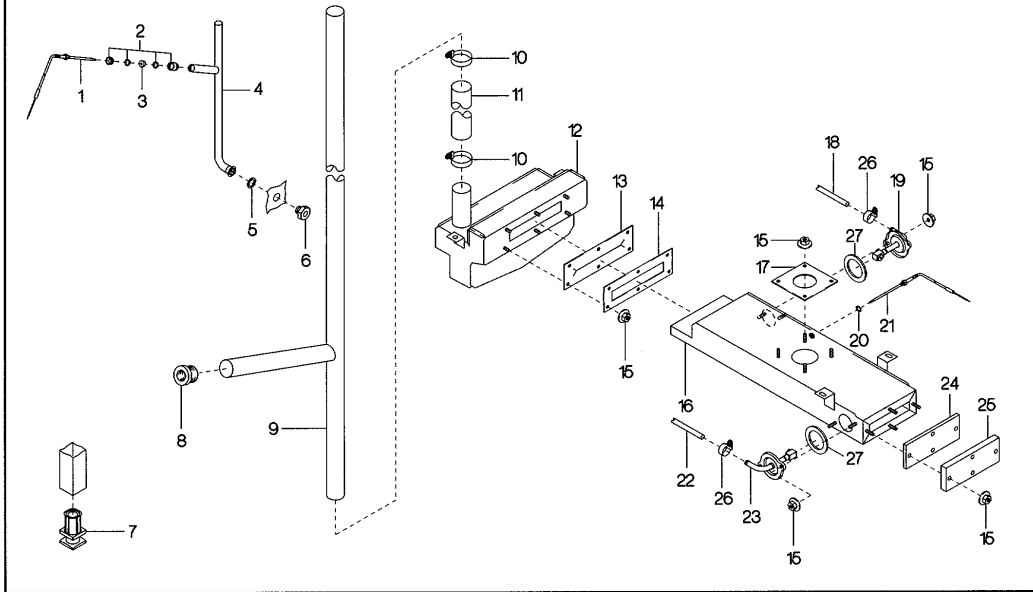
Pos.	Pcs.	Sp. Part No.	Description	Sign.
-	2	3023.0501	interior lamp cpl.	
1	1	3014.0151	sensor for interior cabinet	E4
2	1	1315.0101	copper washer	
3	1	2520.510531	thermostat holder	
4	1	1106.0160	hex nut M6	
5	1	3014.0310	bi-limit safety thermostat	F4
6	1	4007.0601	hex nut PG9	
7	1	4007.0600	cable connection PG9	
8	1	2022.0100	gasket	
9	1	3035.0608	sensor core temperature	E1
10	1	2043.0202	locking tappet	
11	4	1604.0162	rivet 4x9mm	
12	1	2043.0203	holder plate for quick acting closure	
13	1	2043.0201	locking pin	
14	1	8516.1000	air baffle	
15	2	2010.0710	fat filter	
16	2	3025.0002	lamp lens	
17	2	5012.0535	gasket	
18	2	3024.0200	bulb, heat resistant	
19	2	3023.0506	socket for interior lamp	H1,H2
20	1	1005.2301	pan head screw M5x35	
21	1	2520.480890	discharge screen	



Pos.	Pcs.	Sp. Part No.	Description	Sign.	Pos.	Pcs.	Sp. Part No.	Description	Sign.
-	1	8202.11100489	door complete		28	1	3016.1403	door switch	S2
-	1	2016.1400	door lock cpl. (pos.16,17,18,19,20,21,22)		29	1	4016.0500	grommet	
1	16	1005.0661	socket countersunk head screw M5x20		30	2	2016.1300	ball catch male	
2	16	1205.0360	spring washer A5,3		31	1	5012.0550	set gasket for HGW	
3	16	1305.0260	washer A5,3						
4	2	2016.0604	ball catch						
5	4	1006.1960	slotted countersunk screw M6x16						
6	1	2016.0603	door catch						
7	1	2016.0605	plastic insert						
8	1	5012.0203	set window gasket						
9	1	5012.0701	set door gasket						
10	1	5015.0803	window						
11	4	1008.0763	hex screw M8x20						
12	4	1310.0160	washer A10,5						
13	1	2680.960168	bracket top						
14	1	2016.0866	locking knob						
15	1	2001.0106	compression spring						
16	1	2016.1456	hex socket head screw M10x70						
17	1	2016.1454	washer A10,5						
18	1	2016.1455	disc spring d20,5						
19	1	2016.1457	mounting base						
20	1	2016.1452	cam						
21	1	2016.1453	plastic washer						
22	1	2016.1450	door handle						
23	4	1106.0360	hex cap nut M6						
24	4	1306.0120	washer A6,4						
25	1	2031.0900	washer						
26	1	2016.0802	door bold						
27	50	1603.0165	rivet 3,2x9,5						

Bottom

Voltage	Group	Page	Edition	Application from Serial. No.
1 N 230V 50Hz	9	9.1	9.1.1	21G93011001



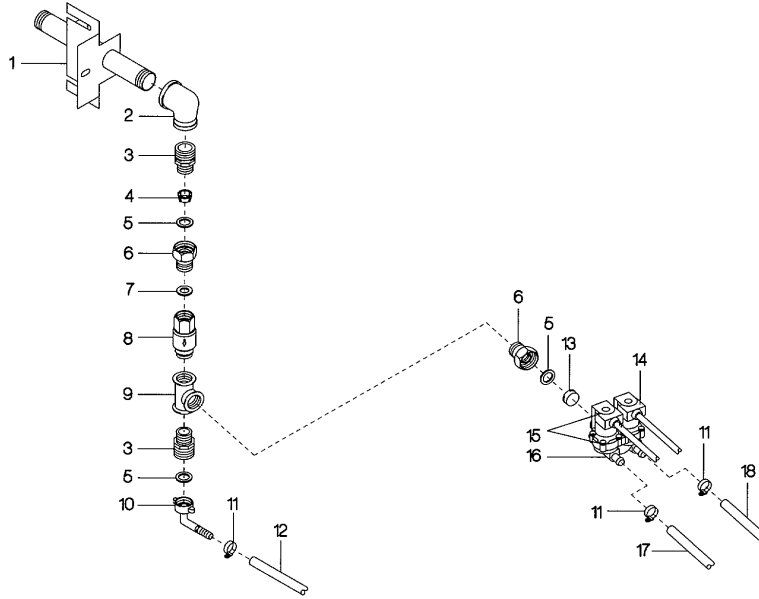
Pos.	Pcs.	Sp. Part No.	Description	Sign.
1	1	3014.0158	bypass sensor	E3
2	1	4007.0600	cable connection PG9	
3	1	2022.0100	gasket	
4	1	2910.1007	bypass pipe	
5	1	1315.0104	copper washer	
6	1	2016.0920	bypass nozzle	
7	4	2039.0111	foot adjustable	
8	1	2910.1003	venting pipe, drain	
9	1	5012.0542	seal venting pipe/ drain tank	
10	2	2066.0207	hose clamp 32-50mm	
11	1	2112.1000	silicone hose 130mm long	
12	1	8666.1003	collecting tank cpl.	
13	1	5110.1000	seal drain tank / quenching tank	
14	1	2715.1010	end plate for quenching tank	
15	18	1106.0801	hex-combi-nut M6	
16	1	8666.1005	quenching tank cpl.	
17	1	5110.1002	gasket	
18	1	2067.0110	pressure hose 360mm long	
19	1	8666.1011	quenching nozzle left cpl.	
20	1	1315.0101	copper washer	
21	1	3014.0158	quenching sensor	E2
22	1	2067.0129	pressure hose 470mm long	
23	1	8666.1012	quenching nozzle right cpl.	
24	1	5110.1001	end plate gasket	
25	1	2715.1013	quenching tank cover plate	
26	6	2066.0205	hose clamp 12-18mm	
27	1	5110.1005	gasket	



Combi-Steamer CM 201 Gas

Bottom

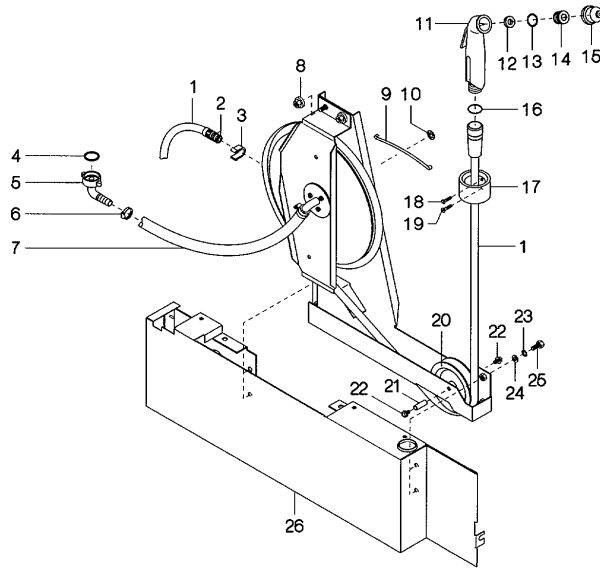
Voltage	Group	Page	Edition	Application from Serial. No.
1 N 230V 50Hz	9	9.2	9.2.1	21G93011001



Pos.	Pcs.	Sp.	Part No.	Description	Sign.
1	1		8668.1010	water connection pipe	
2	1		1500.1577	angle G1/2" x G3/4"	
3	2		1500.1579	reducing nipple G1/2" x G3/4"	
4	1		1900.0200	strainer, water inlet	
5	3		5012.0529	gasket G3/4"	
6	2		2036.0101	fitting 1/2" x 3/4"	
7	1		5012.0536	gasket G1/2"	
8	1		2069.0101	non return valve 3/8"	
9	1		2036.0501	T-fitting 1/2"	
10	1		2062.0203	threaded pipe angle G3/4"	
11	3		2066.0205	hose clamp 12-18mm	
12	1		2067.0135	pressure hose 1500mm long	
13	1		1900.0105	flow controller natural	
14					
15	1		3002.0304	double solenoid valve cpl.	
16					
17	1		2067.0133	pressure hose ≥070mm long	
18	1		2067.0129	pressure hose 470mm long	

Hand Shower

Voltage	Group	Page	Edition	Application from Serial. No.
1 N 230V 50Hz	10	10.1	10.1.1	21G93011001



Pos.	Pcs.	Sp.	Part No.	Description	Sign.
-	1		8655.1001	hand shower roll guide cpl.	
1	1		2067.0606	shower hose	
2	2		2060.0228	gasket for hand shower	
3	1		2060.0152	climp for shower hose	
4	1		5012.0529	gasket	
5	1		2062.0203	threaded pipe angle G3/4"	
6	1		2066.0205	hose clamp 12-18mm	
7	1		2067.0135	pressure hose 150mm long	
8	2		1106.0801	hex-combi-nut M6	
9	1		2001.0203	lock washer	
10	1		2001.0202	fastening spring	
11	1		2060.0100	hand shower cpl. (incl.pos. 11,12,13,14,15)	
12	1		20600218	gasket	
13	1		2060.0217	O-ring	
14	1		2060.0216	head screw	
15	1		2060.0215	mouthpiece	
16	1		5012.0536	gasket	
17	1		2060.0113	tulip	
18	1		1104.0664	hex socket head screw M4x16	
19	1		1004.0430	slotted countersunk screw M4x16	
20	1		2060.0112	roll guide	
21	1		2060.0115	axle	
22	2		1005.2000	safety screw M5x8	
23	4		1206.0120	toothed lock washer A6,4	
24	4		1306.0221	washer A6,4	
25	4		1006.0760	hex sxrew M6x16	
26	1		8655.1002	cover for hand shower	