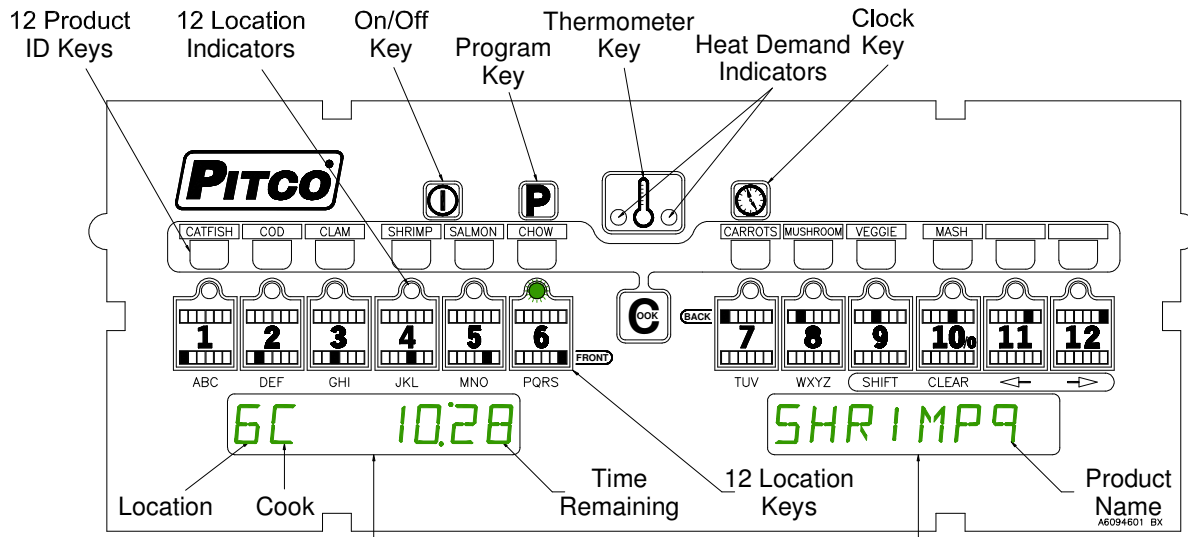


**Key Locations and Functions:**



Displays show current operation. Throughout this text, a left or right only display reference will be printed as [SHRIMP9]. When both left and right displays should be interpreted together, this text will show them as [6C 10:28] [SHRIMP9].

**1.1 To turn the appliance ON:**

If power is applied to the appliance, the displays will show [OFF]. Press the [I/O] key. Displays will show one of the normal displays: [HEATING], [READY], or an alternating display when filling: [FILLING ]<->[HEATING]. Some messages may show in both left and right displays. Wait for the appliance to heat up to the [READY] condition before cooking.




**1.2 To turn the appliance OFF:**



Press the [I/O] key. Display will momentarily show the software version number and then display [OFF].





**1.3 To start a Cook:**

When the display is showing [READY], the appliance has reached set temperature and is ready to cook. To start a cook, press the Cook key , followed by the Product key . The display will show [<name>] [RACK --], and the location indicators will light to show empty rack locations.

Press any key that is lit  and place the bag in that rack location. The indicator above the key will flash to indicate the cook timer is running.

In the example above, the cook key  was pressed, then the shrimp key , followed by the

location 6 key . Displays then shows that SHRIMP is cooking with 10 minutes and 28 seconds remaining at location 6; [6C 10:28] [SHRIMP9].

Multiple cooks may run together. While cooks are running, the displays will always show the cook with the least time remaining. Longer running cooks will flash their indicators at a slower rate. Remaining time on any key location may be checked by momentarily pressing , and a key with a flashing light. When all cooks are done, Hold times will be displayed in similar fashion, that is, least time remaining.

**1.4 To cancel a Cook or Hold:**

To cancel a running cook or hold, press and hold any key with a lit indicator. Display will momentarily display time and product, and then prompt for cancellation with the display of [2C mm:ss] [CANCEL]. Release the button immediately if you do not wish to cancel this product. Continuing to hold the button will cancel the timer.

If no other cooks or hold times are running, controller displays will return to [READY] or [HEATING].

**1.5 To check Actual and Set temperatures:**

To view the actual vat temperature, press the thermometer key .

The display will show [ACT tttF] or [ACT tttC], where ttt is the current vat temperature. After a few moments, the display will return to [nnC hh:mm] [product name] or [nnC mm:ss] [product name] when cooks or holds are still running. If no cooks or holds are running, then [READY] or [HEATING] is displayed.

To view the set temperature, press the thermometer key twice + .

The display will show [SET tttF] or [SET tttC], where ttt is the current set temperature. After a few moments, the display will return to [nnC hh:mm] [product name] or [nnC mm:ss] [product name] when cooks or holds are still running. If no cooks or holds are running, then [READY] or [HEATING] is displayed.

**1.6 To View Current Settings for a Product Key:**

To view the current settings for any product key, press the clock key , followed by the desired product key .

The display will momentarily show the settings for Cook, Shake, Hold, and Hold Pre-Alarm for this product. The display will show the current settings for times in either [mm:ss, or h.mm:ss] for this product key. After a few moments, the display will return to [nnC h.h:mm] [product name] or [nnH mm:ss] [product name] when cooks or holds are still running.

If no cooks are running, then [READY] or [HEATING] is displayed.

**1.6.1 Typical displays using the above key 4 as an example:**

Key 4 has been named SHRIMP9. **Cook** time is set for 5 minutes and 30 seconds.

**Shake** time is set for 4 minutes and 15 seconds. Any time set here is an alarm before the end of the Cook.

**Hold** time for this product is set for 2 hours, 30 minutes.

**Hold Pre-alarm** is disabled by a setting of zero. Any time set here is an alarm before the end of the Hold period.

**Food Safe Temperature Limit** is disabled by a setting of zero, the factory default. Temperatures set here define the lower safe cooking temperature for a product key.

C	5:30	SHRIMP9
S	4:15	SHRIMP9
H	2:30:00	SHRIMP9
P	00:00	SHRIMP9
F	0F	

In a few moments, the display will return to [READY].