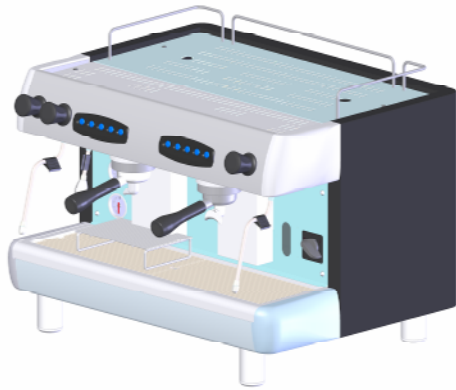
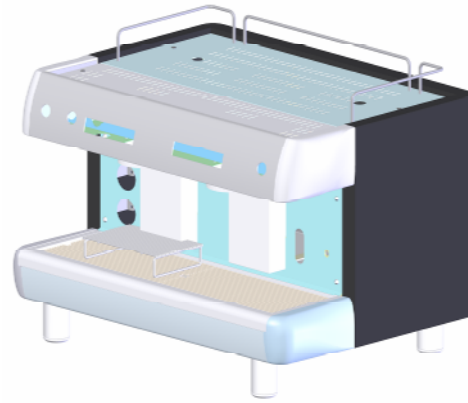


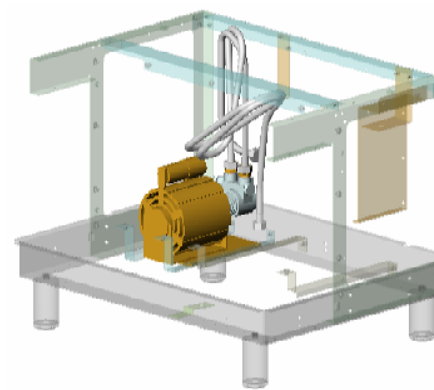
ITEM : INDEX



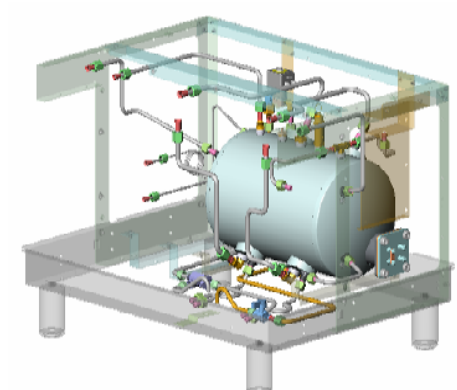
PART 1 (P2~P3)
OVERALL COMPOSITION CHART



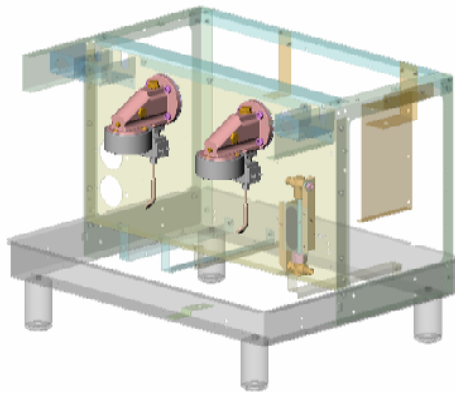
PART 2 (P4~P7)
BODY PARTS ASSEMBLY



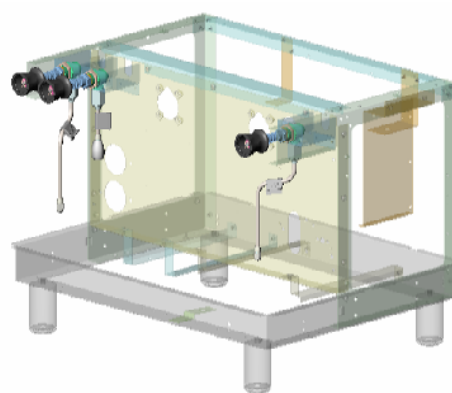
PART 3 (P8~P9)
MOTOR PUMP ASSEMBLY



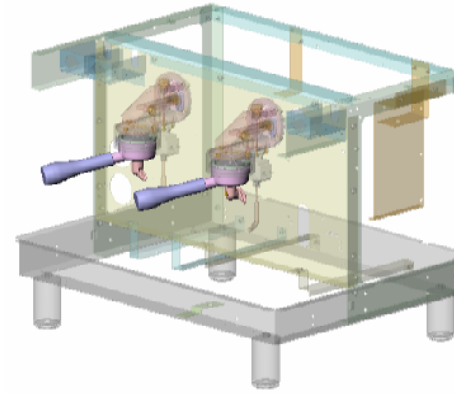
PART 4 (P10~P13)
BOILER HYDRALIC
CIRCUIT



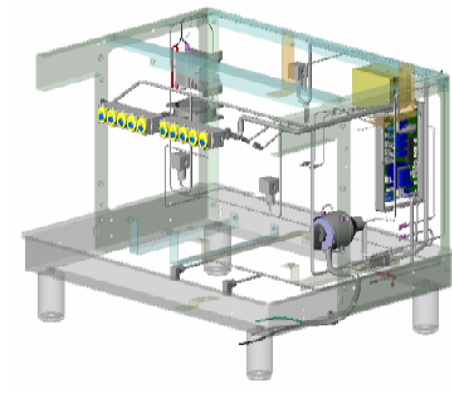
PART 5 (P14~P15)
WATER LEVEL ASSEMBLY
PART 6 (P16~P17)
DISTRIBUTION GROUP
ASSEMBLY



PART 7 (P18~P19)
WATER & STEAM ASSEMBLY

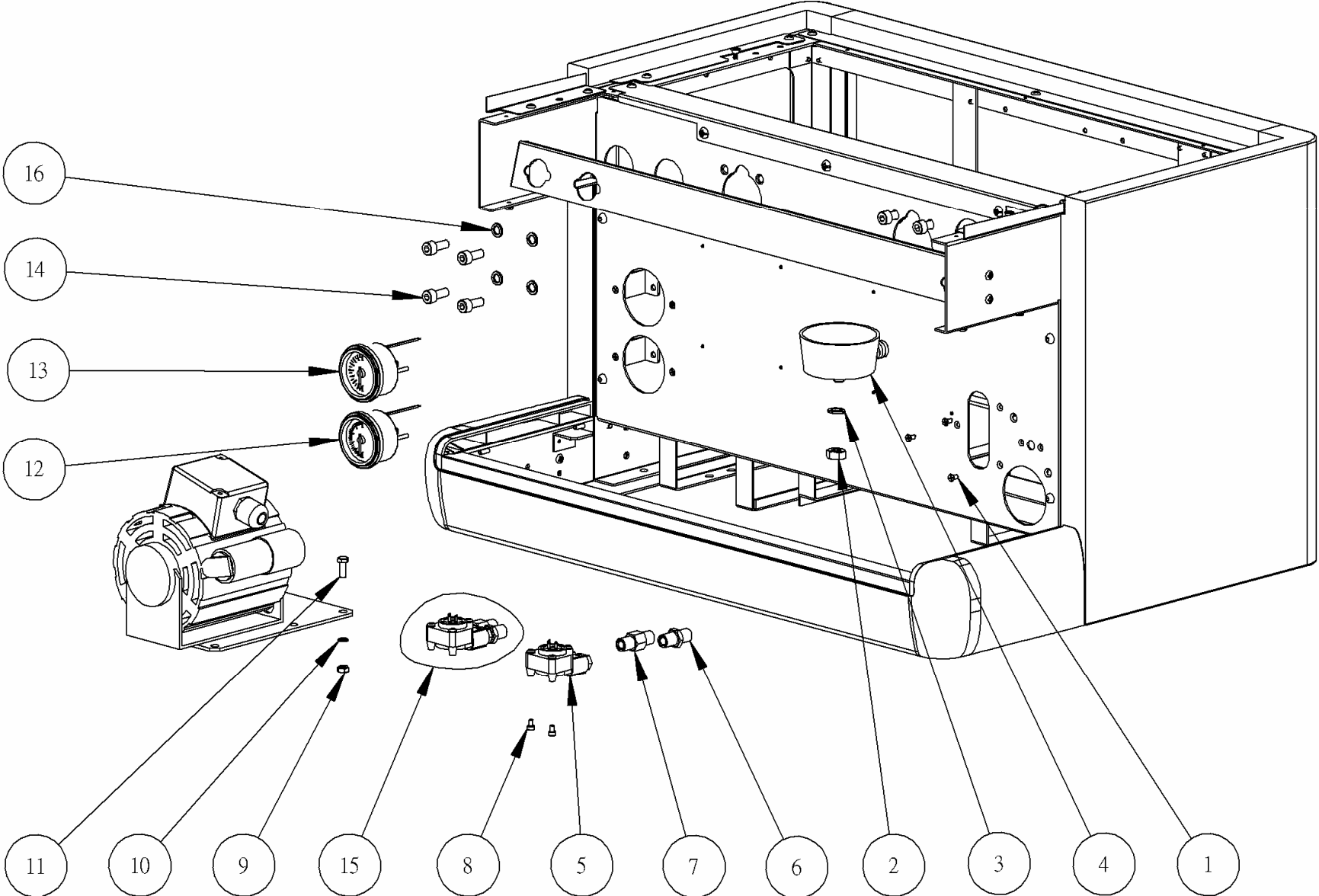


PART 8 (P20~P21)
FILTER HOLDER ASSEMBLY



PART 9 (P22~P23)
ELECTRICAL SYSTEM
ASSEMBLY

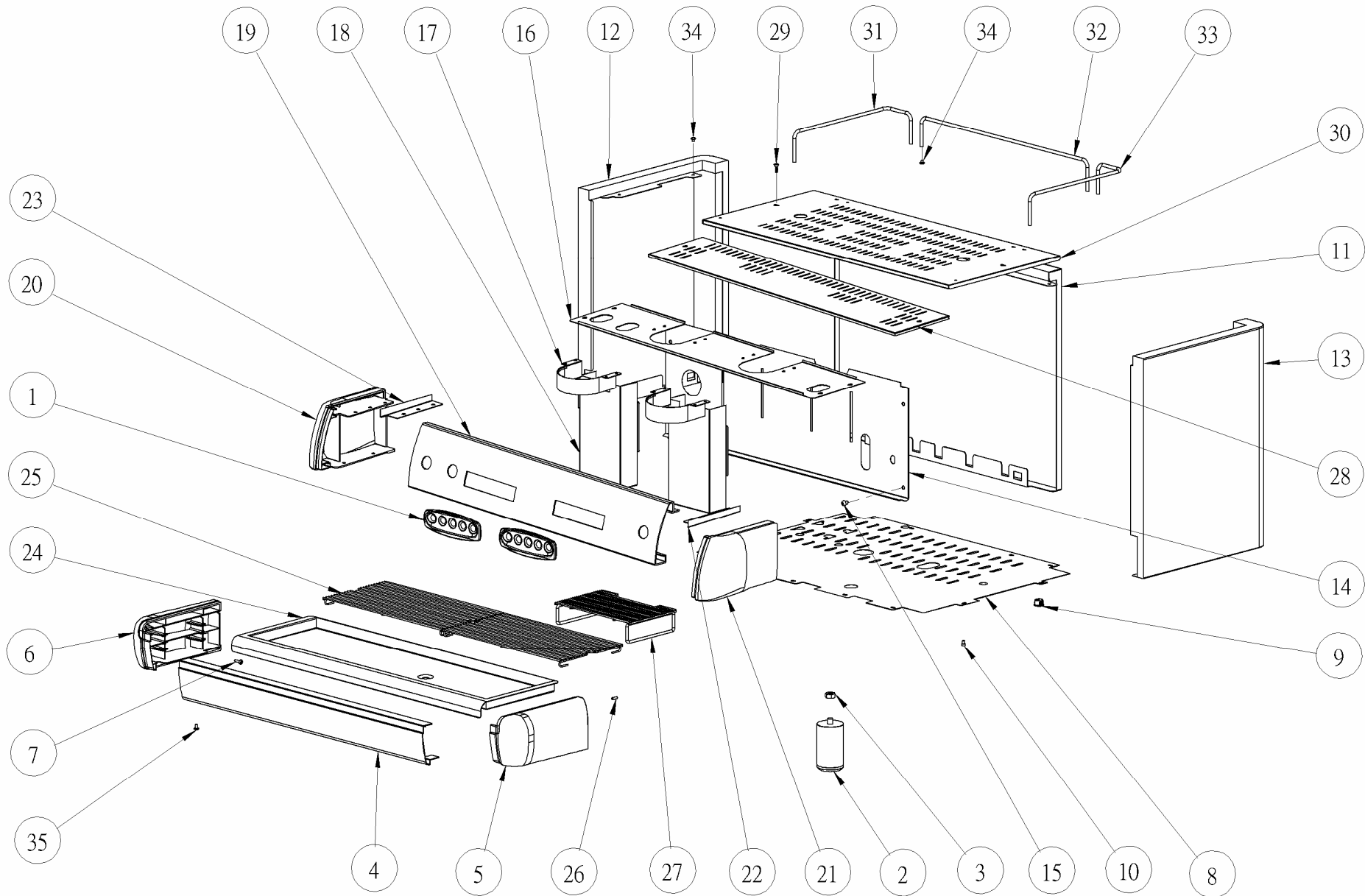
ITEM : OVERALL COMPOSITION CHART



MODEL : CS2 (NSF)

ITEM: BODY PARTS ASSEMBLY

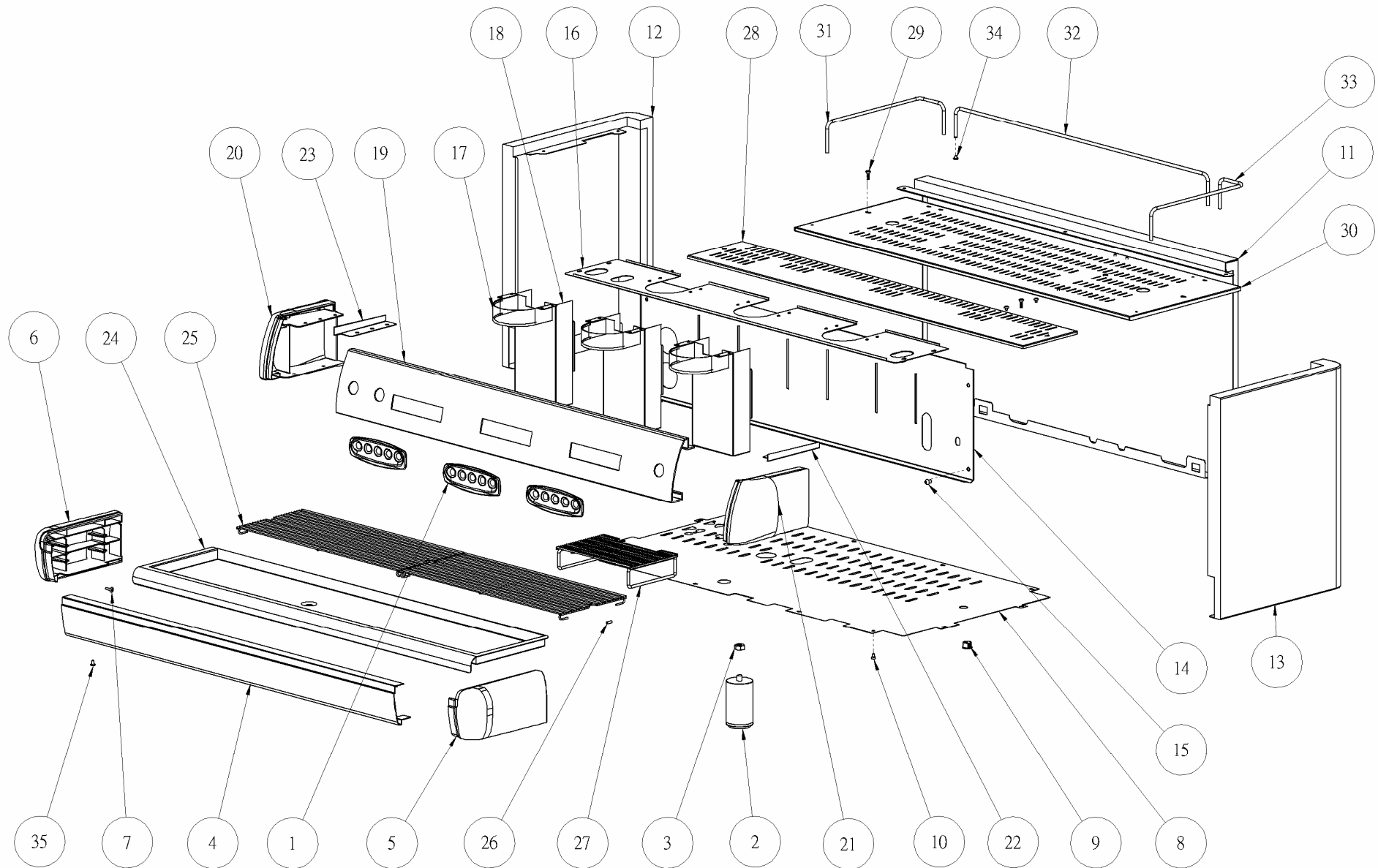
VERSION : 96.1.0



MODEL : CS3 (NSF)

ITEM: BODY PARTS ASSEMBLY

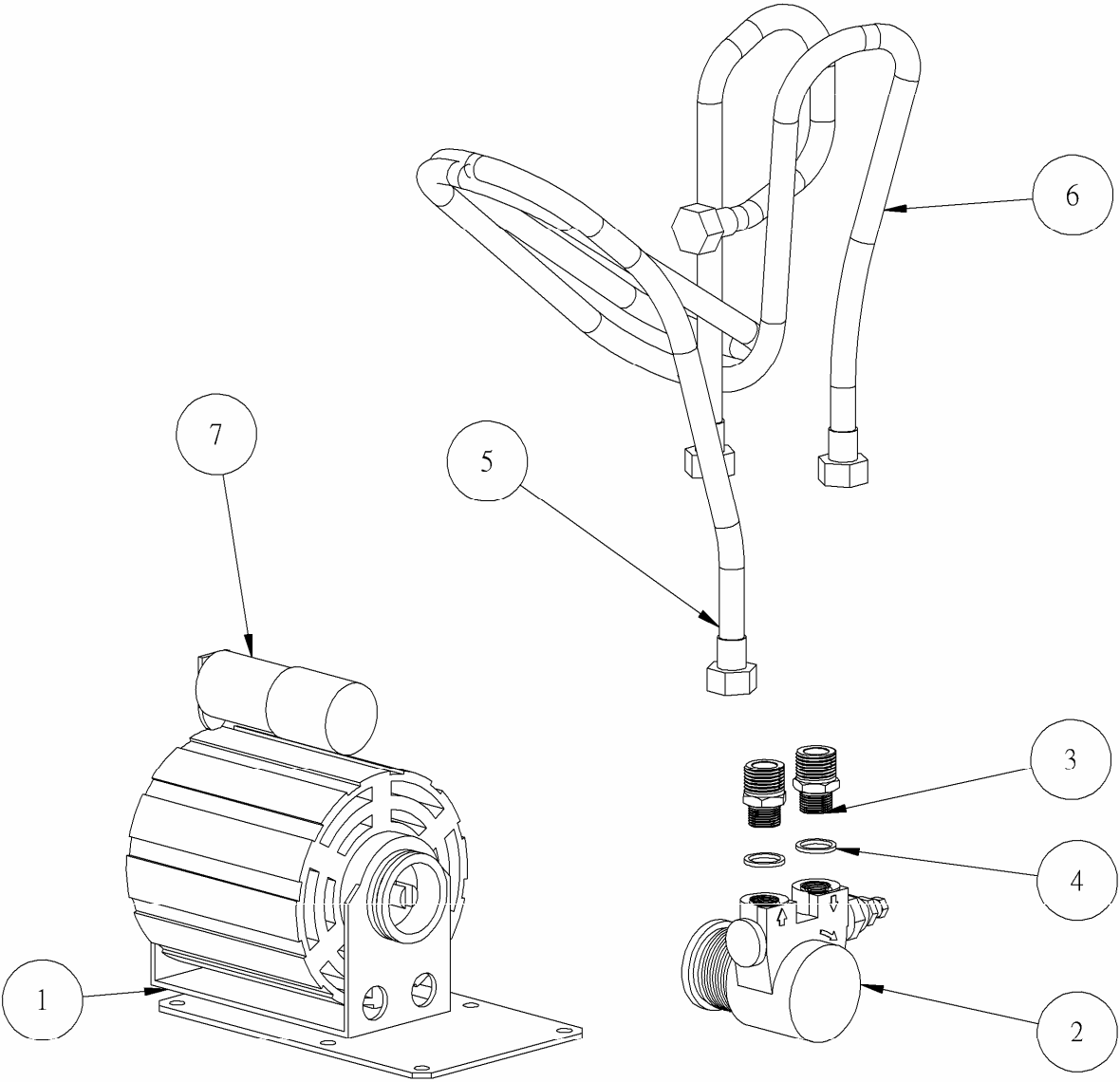
VERSION : 96.1.0



MODEL : CS2 CS3 (NSF)

ITEM: MOTOR PUMP ASSEMBLY

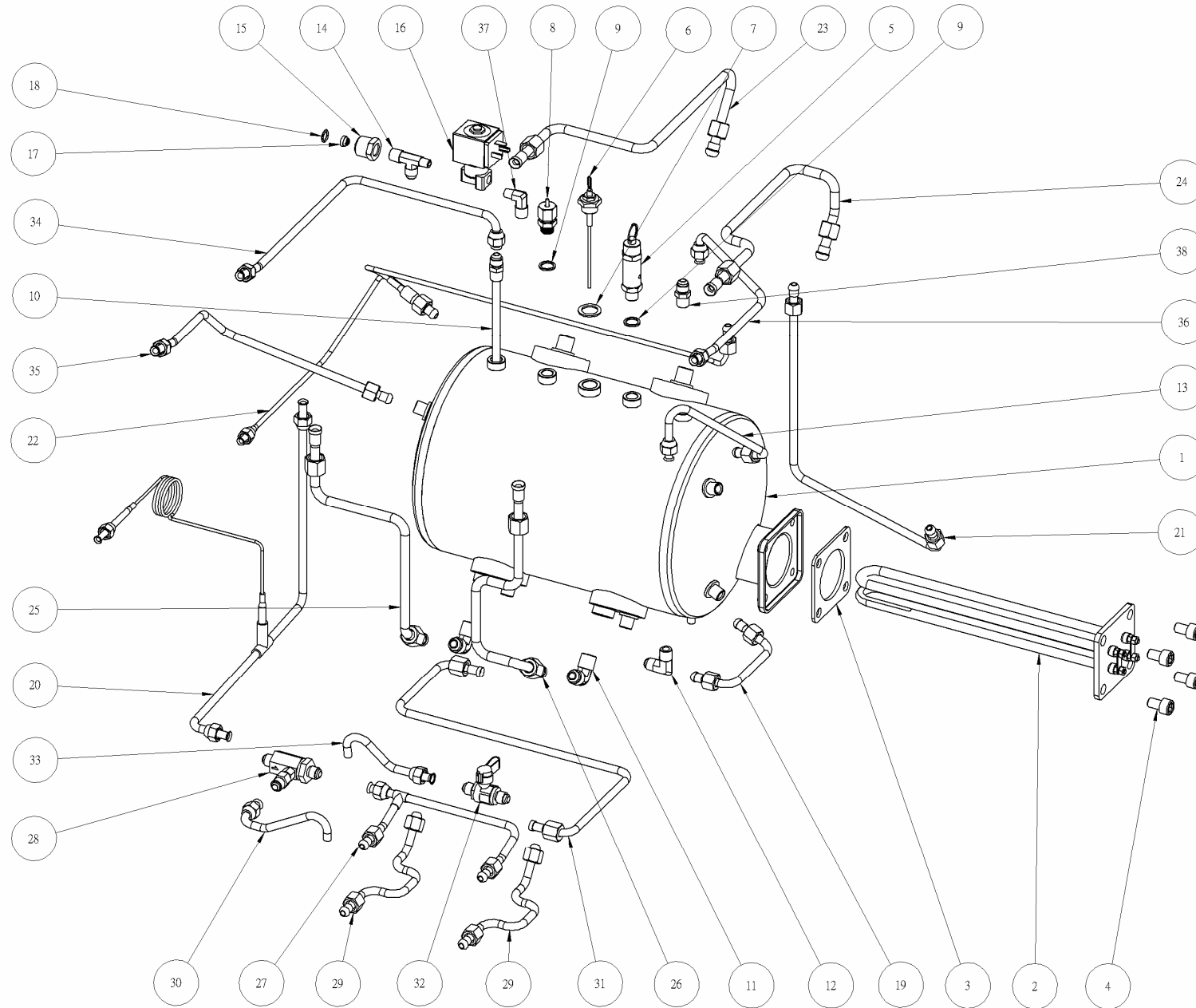
VERSION : 96.1.0



MODEL : CS2 (NSF)

ITEM: BOILER HYDRALIC CIRCUIT

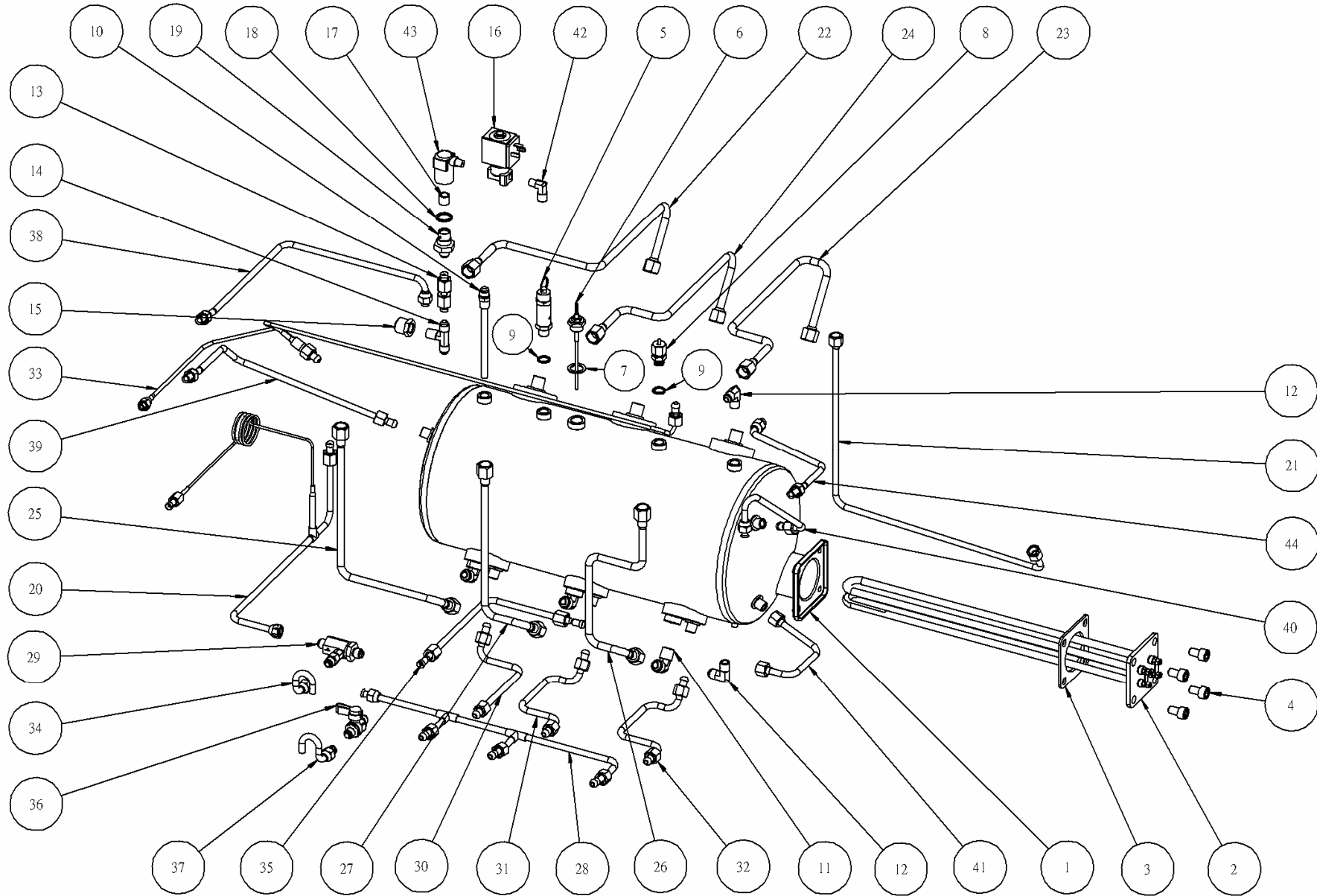
VERSION : 96.1.0



MODEL : CS3 (NSF)

ITEM: BOILER HYDRALIC CIRCUIT

VERSION : 96.1.0



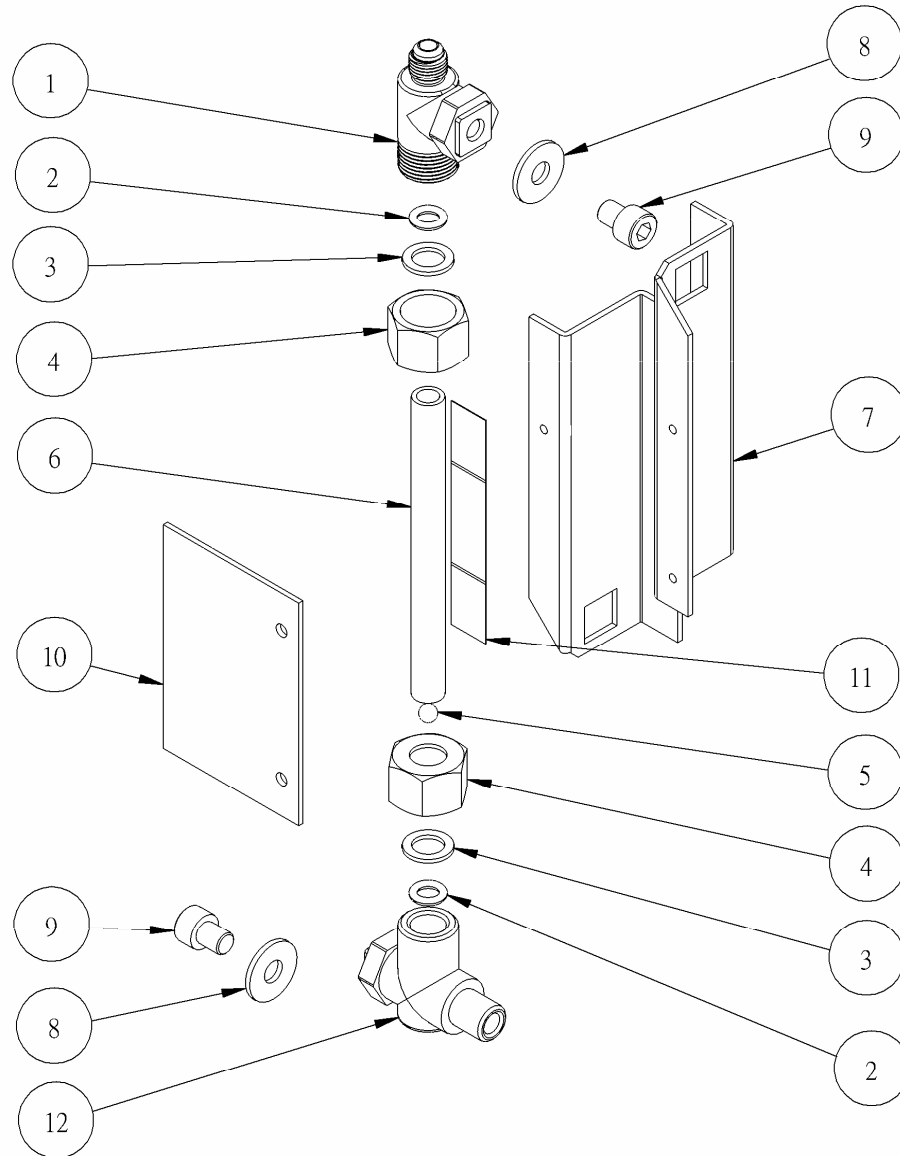
ITEM: BOILER HYDRALIC CIRCUIT

NO.	ITEM NO.	ITEM
		EN
1	B080002-00	BOILER
2	A040002-00	HEATING ELEMENT 5500W (CE AU ETL)
3	A170011-01	SI-GASKET ELEMENT
4	A10030	HEX SCREM (M10*16)
5	A050010-00	SAFETY VALVE
6	B10002	LEVEL PROBE ASSEMBLY
7	A180005-00	VALVE GASKET BRASS
8	B050006-00	ANTI-EDDY VALVE V.A.R.
9	A180004-00	VALVE GASKET BRASS
10	B300001-00	HOT WATER CONDUCT TUBE IN BOILER
11	A02022	ELBOW BRASS PT1/4*3/8
12	A02023	ELBOW BRASS CONNECTOR 3/8*PT3/8
13	B300023-00	AUT. WATER REFILL TUBE UPPER
14	A02024	BRASS CONNECTOR PT1/4*1/2-20UNF*1/2-20UNF
15	A02047	BRASS CONNECTOR
16	A05020A	SOL. VALVE WATER REFILL ASSEMBLY 208~240V 60Hz (ETL)
17	A28007	GROUP FILTER ST.STEEL D13.8*d10.5*11.5
18	A17003A	NBR O RING
19	A02015A	AUT. WATER REFILL REDUCTION
20	B300063-00	AUT.WATER REFILL TUBE MIDDLE
21	B300017-00	AUT.WATER REFILL TUBE REAR
22	B300047-00	HEAT EXCHANGER OUTLET TUBE LEFT
23	B300048-00	HEAT EXCHANGER OUTLET TUBE RIGHT
24	B300049-00	HEAT EXCHANGER OUTLET TUBE MIDDLE
25	B300050-00	HEAT EXCHANGER RETURN TUBE LEFT
26	B300051-00	HEAT EXCHANGER RETURN TUBE RIGHT
27	B300052-00	HEAT EXCHANGER RETURN TUBE MIDDLE
28	B300011-00	FLOWMETER INLET TUBE
29	A05013A	S.C.N.R.DOSER VALVE 1/2*1/2*1/2
30	B300012-00	HEAT EXCHANGER INLET TUBE LEFT
31	B300013-00	HEAT EXCHANGER INLET TUBE MIDDLE
32	B300014-00	HEAT EXCHANGER INLET TUBE RIGHT
33	B300157-00	STEAM PRESSURE GAUGE TUBE
34	B300022-00	EXPANSION DRAIN TUBE
35	B300016-00	BOILER DRAINTUBE REAR
36	A05008	PRESSURE RELEASE TAP BULK UNIT PS1/4xPS1/4
37	B300015-00	BOILER DRAIN TUBE FRONT
38	B300195-00	HOT WATER OUTLET TUBE REAR
39	B300196-00	STEAM OUTLET TUBE FRONT LEFT
40	B300153-00	WATER LEVEL UPPER TUBE
41	B300019-00	WATER LEVEL LOWER TUBE
42	A02018	ELBOW BRASS CONNECTOR PT1/8 * PT1/4
43	A09010A	ELBOW BRASS CONNECTOR PF3/8 * PT1/8
44	A300197-00	STEAM OUTLET TUBE FRONT RIGHT

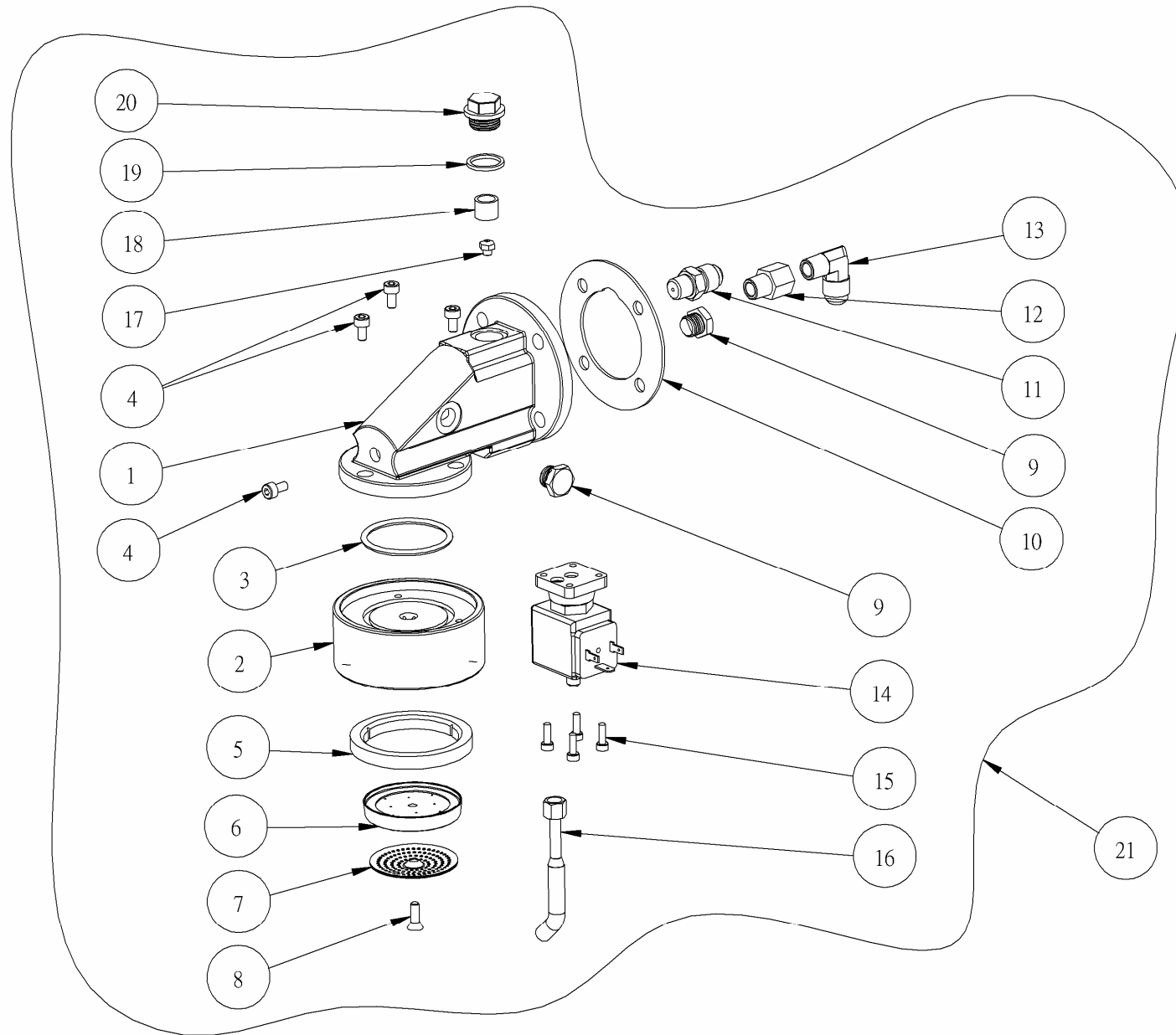
MODEL : CS2 CS3 (NSF)

ITEM: WATER LEVEL ASSEMBLY

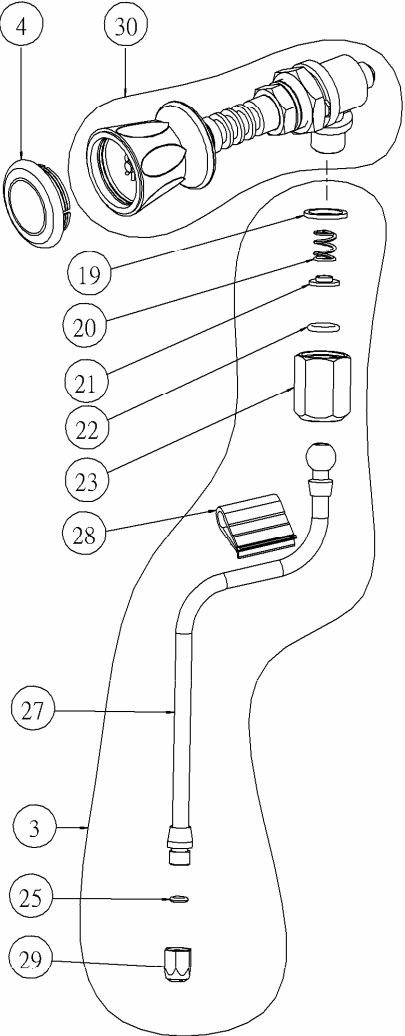
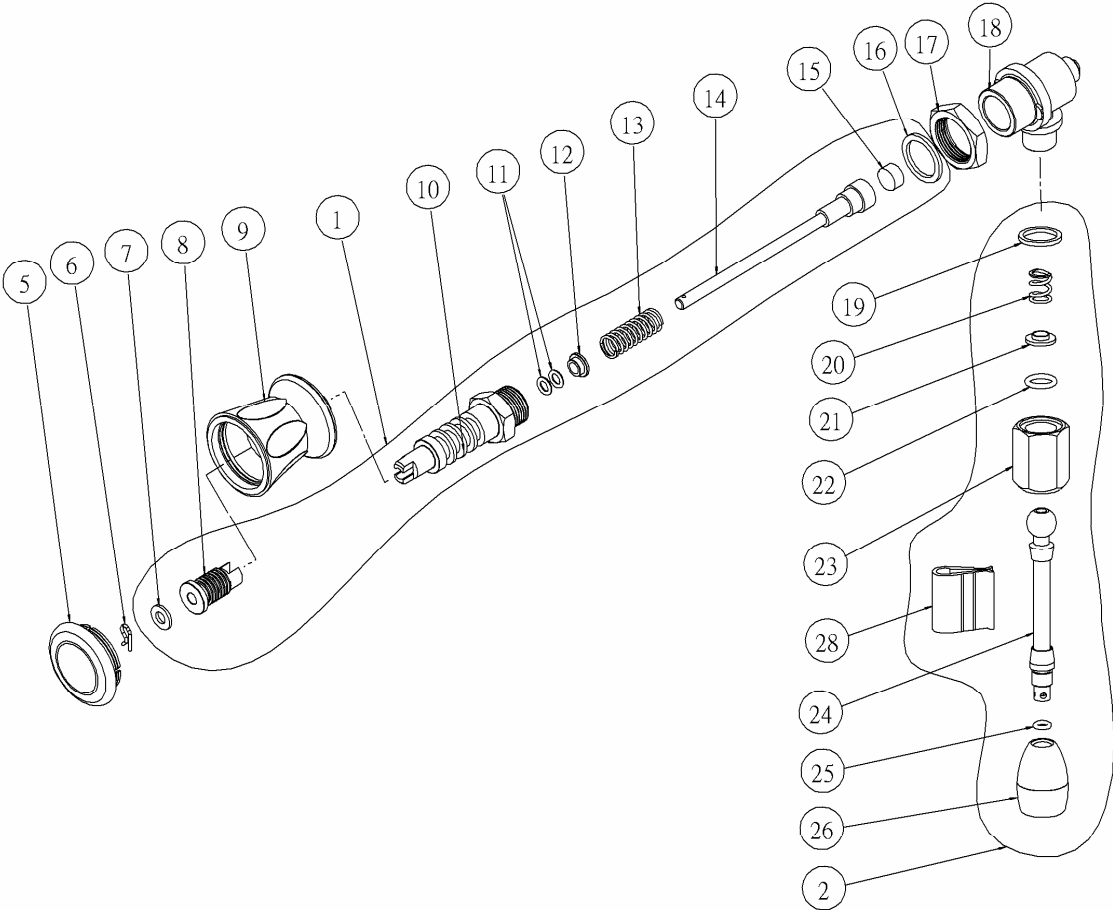
VERSION : 96.1.0



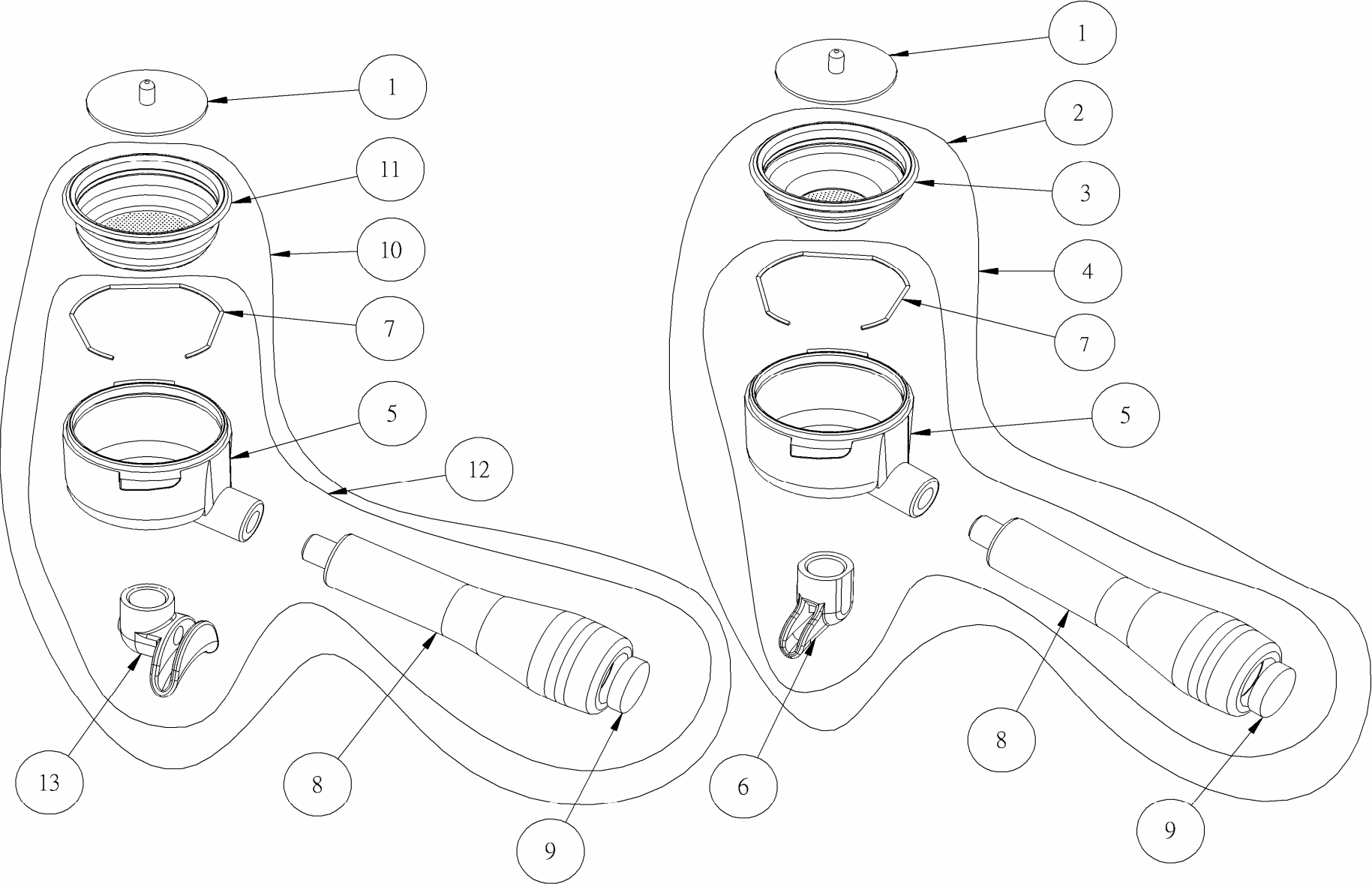
ITEM: DISTRIBUTION GROUP ASSEMBLY



ITEM: WATER & STEAM ASSEMBLY



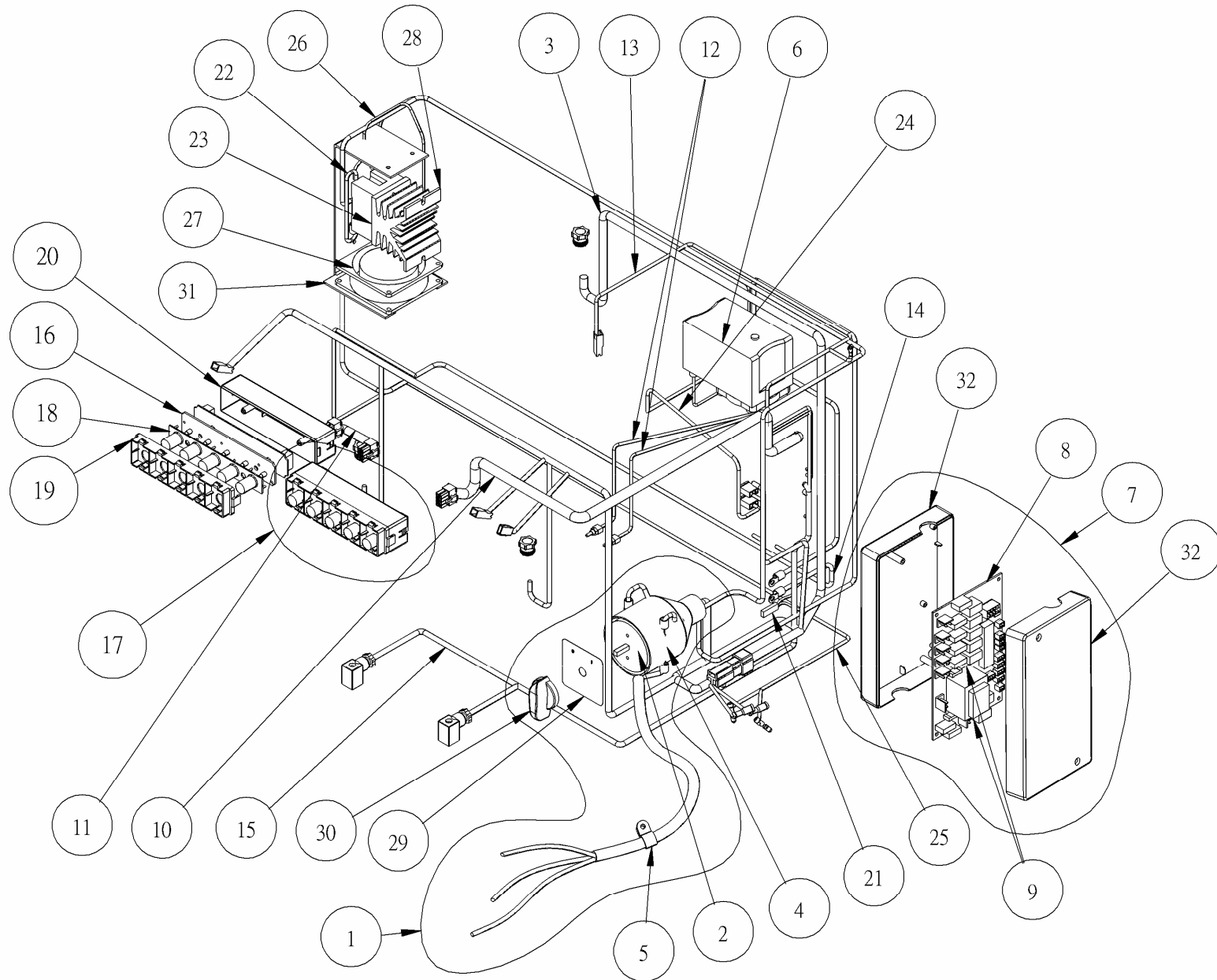
ITEM: FILTER HOLDER ASSEMBLY



MODEL : CS2 CS3 (NSF)

ELECTRICAL SYSTEM ASSEMBLY

VERSION : 96.1.0



ELECTRICAL SYSTEM ASSEMBLY

NO.	ITEM NO.	ITEM
		EN
1	B010028-00	MAIN SWITCH ASSEMBLY /CS2 (ETL)
	B010023-00	MAIN SWITCH ASSEMBLY /CS3 (ETL)
2	A05006A	MAIN SWITCH /CS1 CS2 (ETL)
	A05015	MAIN SWITCH /CS3 (ETL)
3	B01050	CABLE UNIT / CS2
	B010011-00	CABLE UNIT / CS3
4	A13021	MAIN SWITCH COVER
5	A14008	BAND
6	A05007A	SI 501 CE PRESSURE SWITCH 240V AC 20A (ETL)
7	B120004-00	CONTROL BOX WITH IC BOARD
8	A120005-00	CONTROL PC-MAINBOARD
9	A31001	FUSE 1.5A
	A31002	FUSE 4A (MOTOR)
10	A01021	SERIES CABLE PCB<->PANEL
11	A01020	SERIES CABLE PANEL<->PANEL
12	A01028	SELECT SWITCH
13	A01009A	LEVEL PROBE CABLE
14	A01003B	HEATING ELEMENT POWER CABLE
15	B01047	FLOWMETER GAUGE CABLE FOR CS2
	B01048	FLOWMETER GAUGE CABLE FOR CS3
16	A12003	CONTROL PC-MAINBOARD
17	B12003	TIMER / TOUCH PAD(CONTROL PC-MAINBOARD)
18	A13023	KEY BOARD
19	A13025	FIXEED FRAME
20	A13024	OPERATE BOX WITHOUT IC BARD
21	A01022	TEMP. PROTECTION FUSE (ETL)
22	A01024	SIGLE CABLE SSR-2-4 (ETL)
23	A05023A	SOLID STATE RELAY 50A GN84137021 /CS2 CS3 (ETL)
24	A010017-00	SINGLE CABLE PRESSURE SWITCH<->PCB (ETL)
25	A01034	MOTOR POWER CS2 (ETL)
	A01045	MOTOR POWER CS3 (ETL)
26	A01033	SSR-PRESSURE SWITCH CABLE (ETL)
27	A05030	FAN FOR SSR (ETL)
28	A05029	RADIATOR (ETL)
29	A11011A	MAIN SWITCH HAND GRIP LABEL PLATE 0-1 (ETL)
30	A130011-00	MAIN SWITCH HAND GRIP (CE/AU)
31	A07066	SSR HOLDER (ETL)
32	A13003	CONTROL BOX WITHOUT IC BOARD (UP & DOWN COVER)