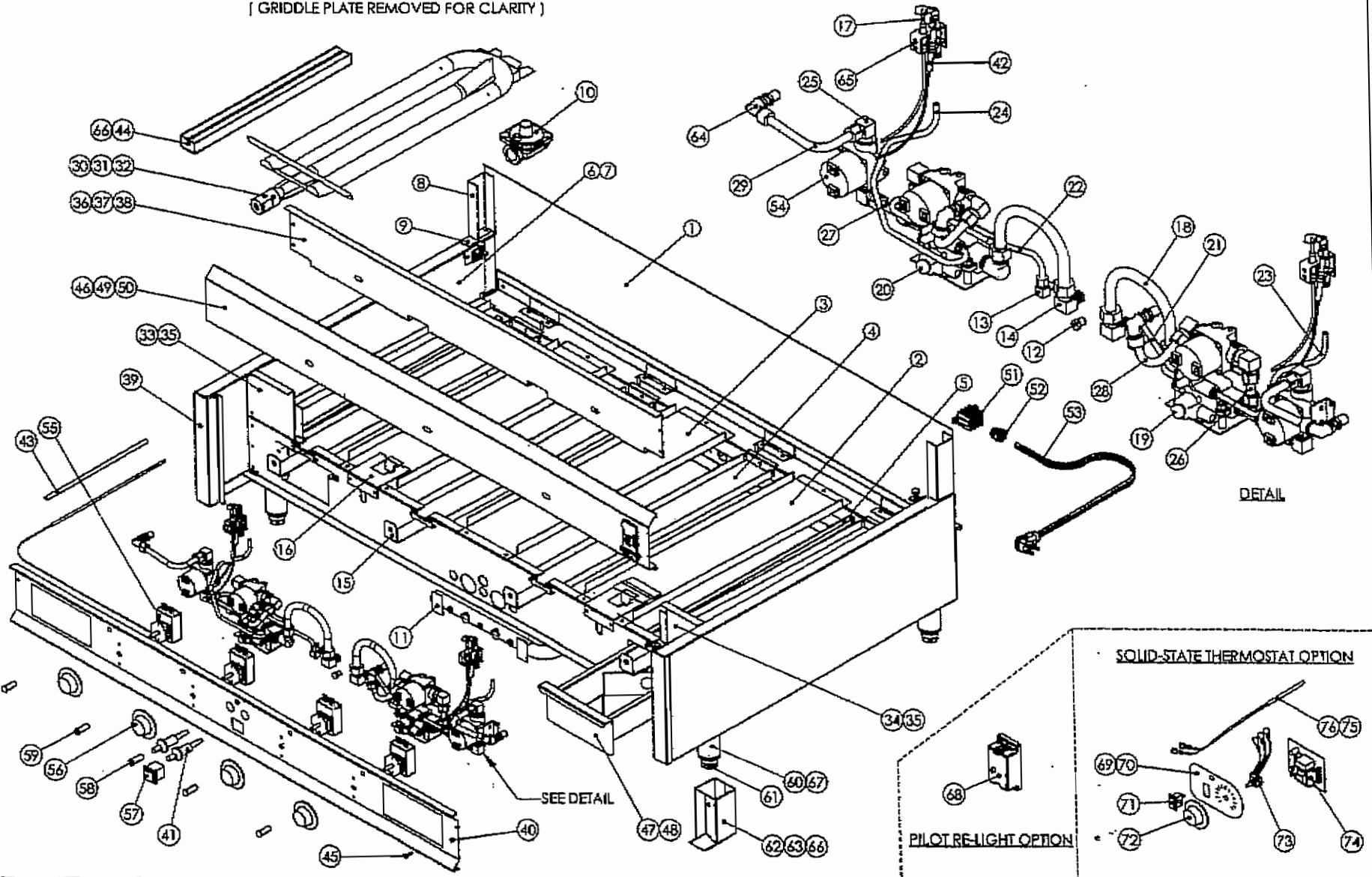


[GRIDDLE PLATE REMOVED FOR CLARITY]



Item #	Part #	Description
1	**	Flue Back Panek
2	30255-4	Center Air Baffle w\Pilot
3	30121-3	Center Air Baffle - Solid
4	30122-1	Lower Air Baffle - Burner
5	30124-8	Grease Container Guide
6	29087-4	Left Side Air Baffle
7	30125-6	Right Side Air Baffle
8	30224-4	Flue Post (EG)
	30717-3	Flue Post (SS)
9	30483-2	Leveling Bracket
	01869-4	Leveling Bolt
10	14605-6	Pressure Regulator (NAT)
	01040-5	Pressure Regulator (PRO)
11	**	Manifols Aeembly
12	01279-3	Hex Plug 1/8 NPTM
13	28532-3	Elbow 1/8 NPTM x 1/4 CC (ALL)
14	30274-0	Elbow 3/8 NPTM x 1/2 CC (ALL)
	30275-9	Elbow 3/8 NPTM x 1/2 CC (2460-LT)
15	29077-7	Front Burner Support
16	29088-2	Pilot Bracket - J641DYA
17	01013-8	Thermocouple
18	30465-4	Tubing - Formed "U" 1/2 OD (ALL)
	30917-6	Tubing - Formed "U" 3/8 OD (ALL)
19	30639-8	Safety Valve - Right Outlet
20	30640-1	Safety Valve - Left Outlet
	30769-6	Safety Valve - Left (2436, 2460)
21	30743-2	1/4 OD Tubing - MFLD/SAF (Right)
22	30749-1	1/4 OD Tubing 4 5/8 Straight MFLD/SAF (Left)
	30940-0	1/4 OD Tubing 4 5/8 Straight (2424)
	30750-5	1/4 OD Tubing 4 5/8 Straight (Left) (2436)
23	30751-3	1/4 OD Tubing Pilot/SAF (Right)
24	30752-1	1/4 OD Tubing Pilot/SAF (left)
	30754-8	1/4 OD Tubing Pilot/SAF (Left) (2436)
25	30275-9	Elbow 3/8 NPTM x 3/8 CC
26	30761-0	3/8 OD Tubing x 1 3/4
27	30762-9	3/8 OD Tubing x 2 1/4
	30941-9	3/8 OD Tubing x 2 3/4 (2460)
28	30731-9	3/8 OD Tubing SOL/Burn "C"
29	30730-0	3/8 OD Tubing SOL/Burn "L"
30	30368-2	Burner Assembly Right
31	29021-1	Burner Assembly Middle
32	30369-0	Burner Assembly Left
33	30164-7	Heat Shield Left
34	30165-5	Heat Shield Right
35	30280-5	Insulation 5" x 5"
36	**	Center Heat Shield
37	**	Center Insulation - Punched
38	30714-9	Mounting Washer
39	30933-8	Trim Aseembly Front Left
	30934-6	Trim Assembly Frint Right

Item #	Part #	Description
40	**	Panel Control Assembly
41	25716-8	Piezo Ignitor
42	30763-7	Spark Electrode
43	30295-3	Insulation Sleeve 12"
44	03386-3 / 33677-7	Sensing Bulb Holder Assembly
45	01918-6	Screw Control Assembly
46	**	Panel - Front Upper
47	30144-2	Grease Drawer
48	30764-5	Grease Drawer Baffle
49	16100-4	Small Chef
50	02639-5	Retainer Clip
51	08584-7	Terminal Block
52	01375-1	Strain Relief Bushing
53	01409-5	6' Grounded Cord and Plug
54	29024-6	Solenoid Valve 120v
55	29023-8	Thermostat 150-450 F
56	30294-5	Thermostat Dial
57	19116-7	Main On/Off Switch
58	17150-6	Indicator Light - Red
59	17945-0	Indicator Light - Amber
60	30305-4	SS Leg w./Foot (Outer)
61	30936-2	SS Leg w/Foot (Middle) (2460, 2472)
62	30257-0	Spout Assembly Right
63	30937-0	Spout Assembly Left
64	22903-2	Orifice Elbow #42DS (NAT)
	30503-0	Orifice Elbow #52DS (PRO)
65	30286-4	Pilot Burner # .021DS (NAT)
	30504-9	Pilot Burner # .010DS (PRO)
66	01860-0	Thumb Screw
67	30619-3	Set Screw 1/4-20
68	28757-1	Pilot Reigniter 120v
69	30615-0	SS Overlay Right
70	30618-5	SS Overlay Left
71	17149-2	On/Off Mini Switch
72	24663-8	SS Thermostat Dial
73	25377-4	Potentiometer w/48" Leads
74	25375-8	Solid State Controller 1201 208-230v (Athena)
	35070-2	Solid State Controller 120,208-230v (ZYTRON)
75	25376-6	Sensor Probe
	33955-5	Sensor Probe Bulb
76	01758-2	Insulation Sleeving - Per Foot