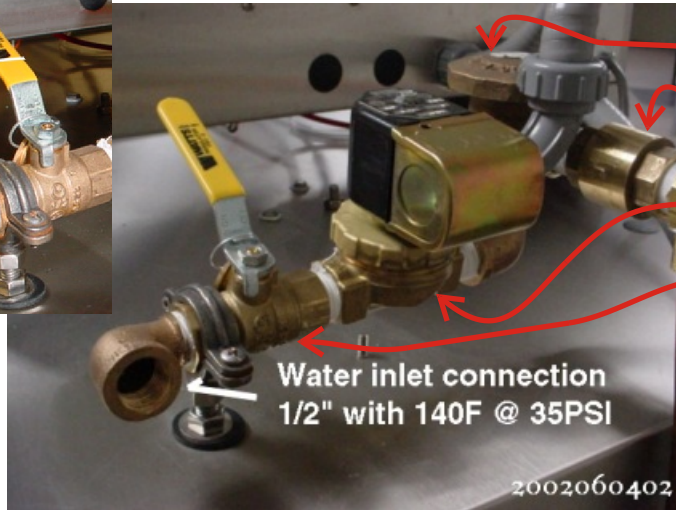
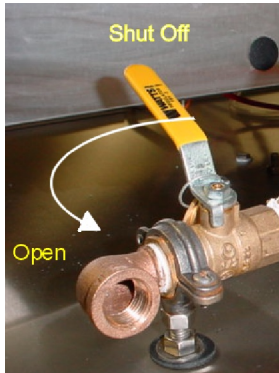


X-35 INSTALLATION



- Vacuum Breaker WO1009
- Check Valve WO1013
- Water solenoid valve WO1011
- Shut-off valve WO1001

Water inlet connection
1/2" with 140F @ 35PSI

2002060402

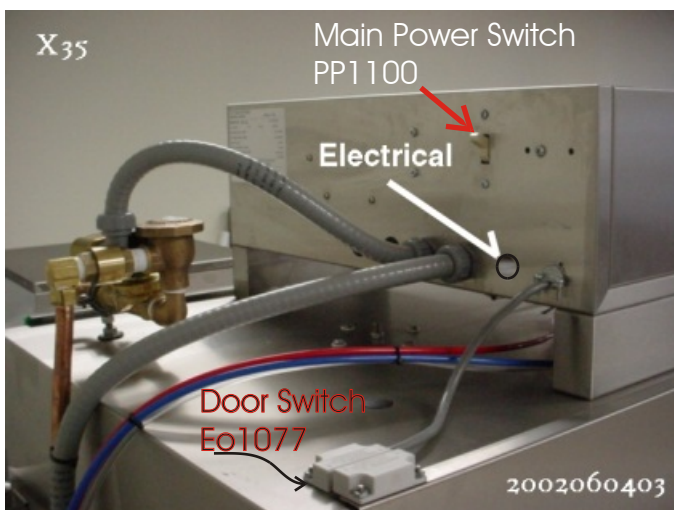
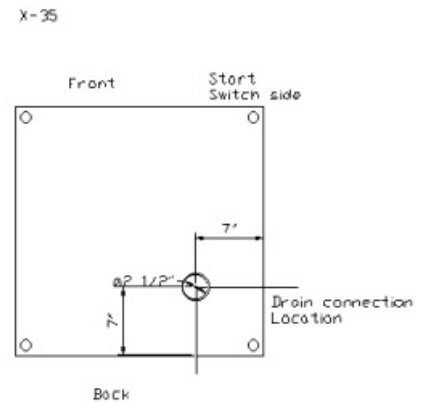
Required
Water temperature: 140F +/- 20

Water pressure: 25 psi +/- 5
Maximum water capacity: 80 US gallons per hour

Output water temperature: 120F +/- 20



Drain is by gravity,
using a 2 1/2" diameter
drain tube.

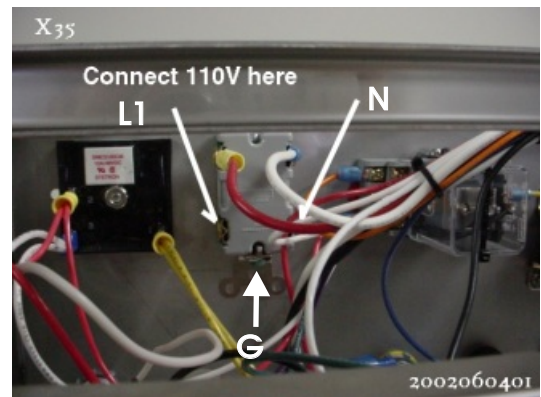


Main Power Switch
PP1100

Electrical

Door Switch
Eo1077

2002060403



Connect 110V here

L1

N

G

2002060401