

DOOR SPRINGS REPLACEMENT

For models F-18DP, F-20, 737, and x-32

For this replacement, the following are needed;

Parts:

- 1 x 16256 right door spring
- 1 x 16257 left door spring

Tools:

- Allen key 4mm
- Combination wrench key 10mm
- Long nose pliers
- Flat screw-driver
- Notched driver
- Piece of strapping

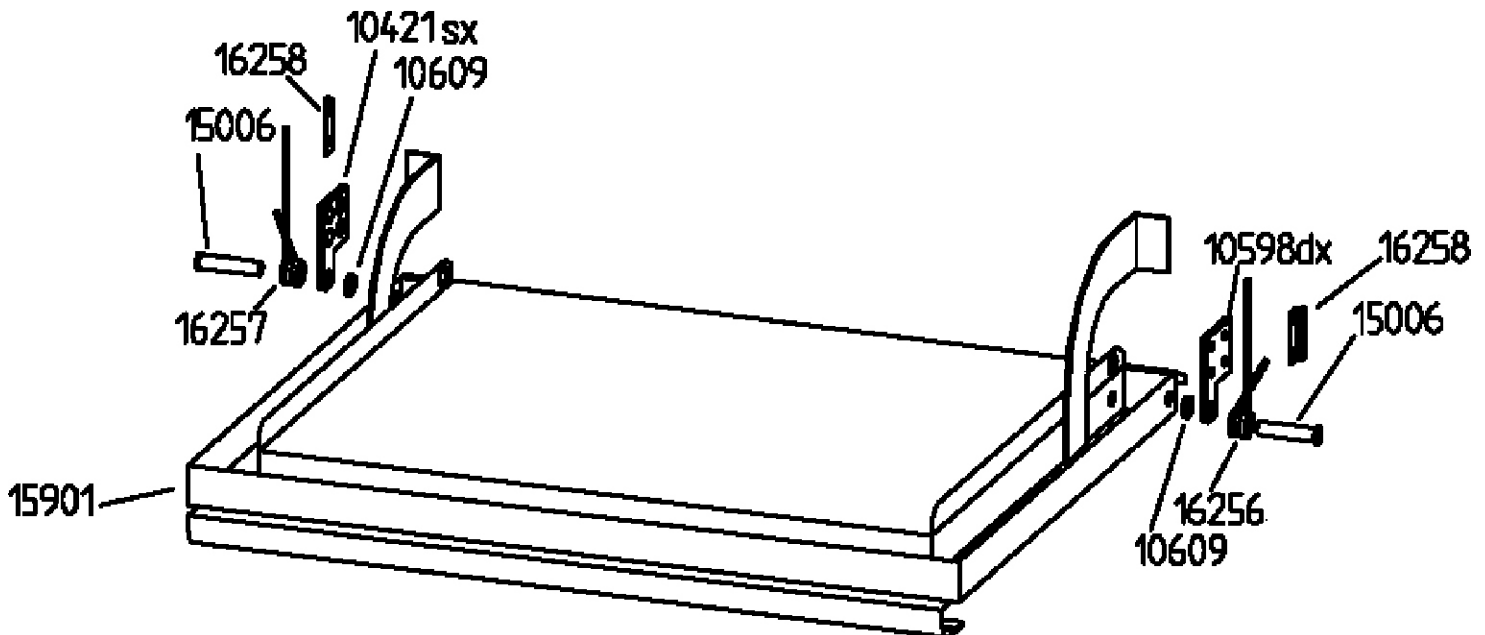
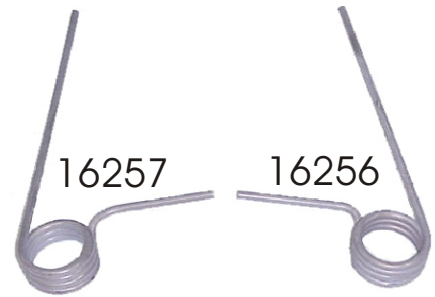
Note:

You will need sufficient room to work on the unit with the door opened and a table or flat surface to put the door on once it is removed.

The dishwasher does not need to be drained, or pulled out.

The power to the dishwasher does not have to be switched off, nor does the water feed be turned off.

Estimated time: 45 minutes



1) Locate the door springs. They are accessible when the door is opened and are located on both side where the door hinges are.

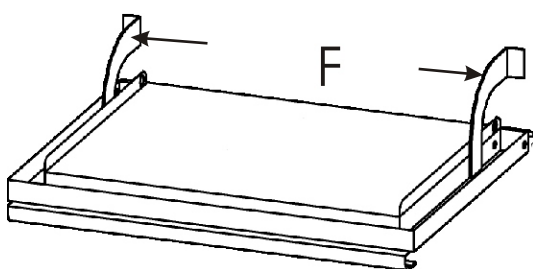
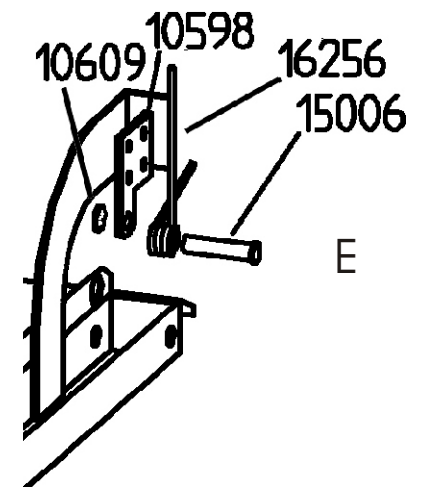
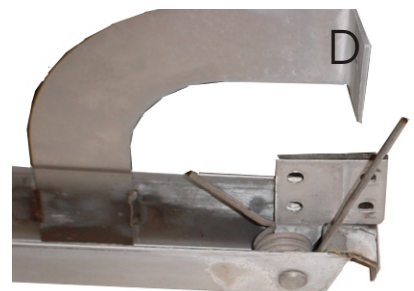
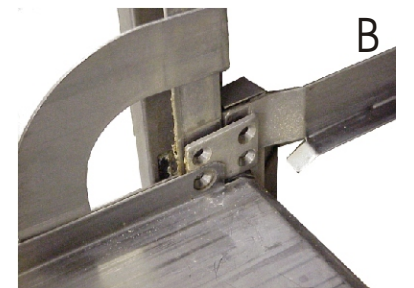
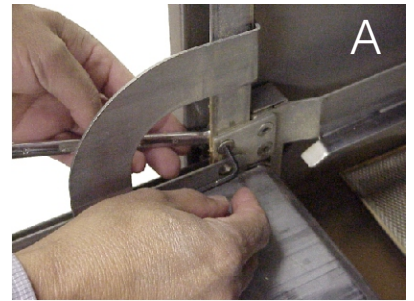
2) Remove the basket. Release the tension on both door springs if it applies. Unhook the door spring from the door hook.

3) Remove the hex-head screws on the hinge plates (on both sides) using the Allen key and combination-wrench (picture A & B). Do not lose any of the screws, and hex-nuts, and brackets.

4) Remove door by tilting it 45 degrees and pulling forward (picture C).

5) Lay the door on a flat surface with easy access. Remove the pins(15006) carefully. Keeping note of the order of the parts (picture D). From exterior; spring, hinge and washer (picture E). Remove the old door springs. It is important to replace both springs. Push door-stoppers (half-moon shaped parts) outward, enough to be at right angle with the door (picture F).

6) Put the door back in place, also by tilting it in a



45 angle, and inserting the door-stoppers first (picture G).

7) Secure the hinges with screws at the back first (picture H).

8) Loop strapping around long leg of spring. This will be used to pull on the long leg later.

9) Secure both hinges completely (put all screws, and hex nuts in place).

10) Push the small leg of the spring around the hex-nuts and in to the bracket using the notched driver (picture K).

11) If done incorrectly, the following operation can injure your fingers. Hold the leg of the spring firmly. Pull on strap to bring down the long leg of the spring in to position. Use the notched tool.

Note: the new door springs allow for an easier replacement. However it may be difficult to do it this way. There is another method; After point #8, using the bracket(16258) push the short leg in position. Put hex-head screw to hold it in place (picture I). Secure with nut. Secure hinges with the remaining screws and nuts.

This completes the instructions.

