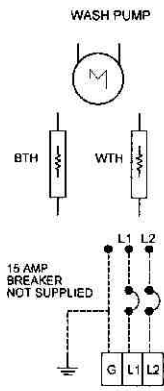


Control Wiring
208 - 240 VAC
60HZ

NFC
previous
models
only

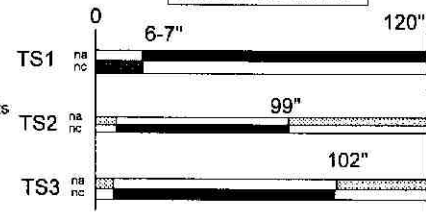
LEGEND

- TB: terminal block, (control wiring)
- NFC: audio filter (electrical noise distortion)
- DP: drain pump
- SW2: switch activate drain pump
- PS: pressure switch, control water level
- SV: solenoid valve
- DS: door switch
- SW1: cycle switch (start switch)
- CR: control relay with two normally open contacts
- CR1: normally open contact of (CR)
- CR2: normally open contact of (CR)
- TM: timer motor
- TS1: timer microswitch (TM)
- TS2: timer microswitch (TM)
- TS3: timer microswitch (TM)
- WP: wash pump
- R-THS: rinse thermostat
- W-THS: wash thermostat
- HCC: booster heater contactor
- WTH: wash heater element
- LP1: power on-off indicator light
- LP2: ready indicator light
- LP3: cycle indicator light
- C: capacitor
- TG: temperature gauge

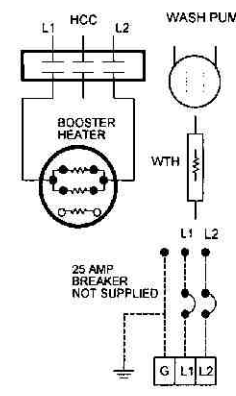
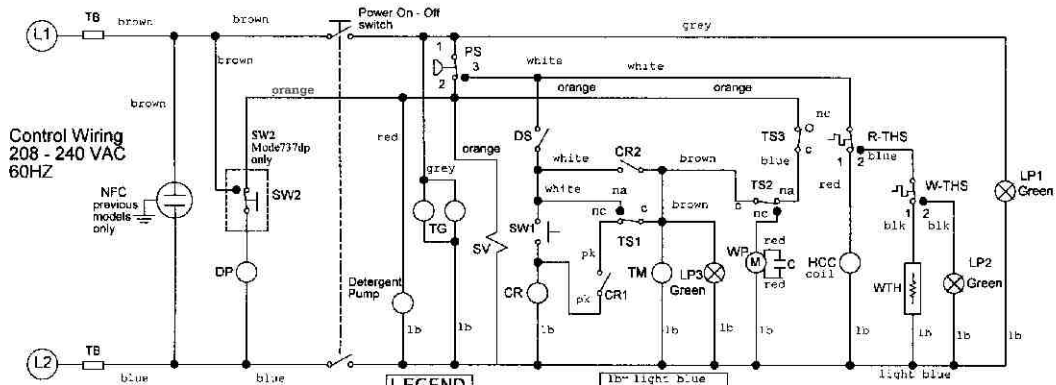


lb= light blue
blk= black
pk= pink

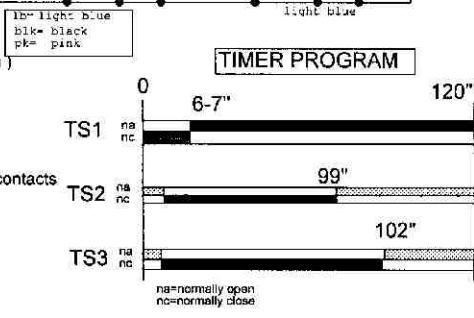
TIMER PROGRAM



5771 Ferrier St Montreal, QC, H4P 1N3 Canada
 Author: Carlos Quesada
 Checked by: Mario Ratti
 Diagram: diagram 727dp
 JET-TECH SYSTEMS
 10 fevrier 2002 1-888-275-4538

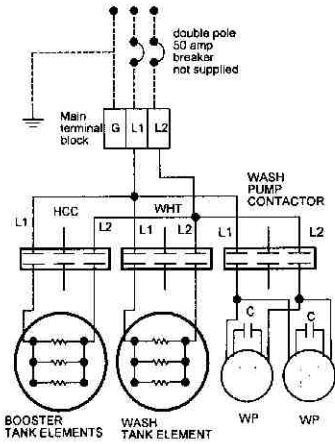
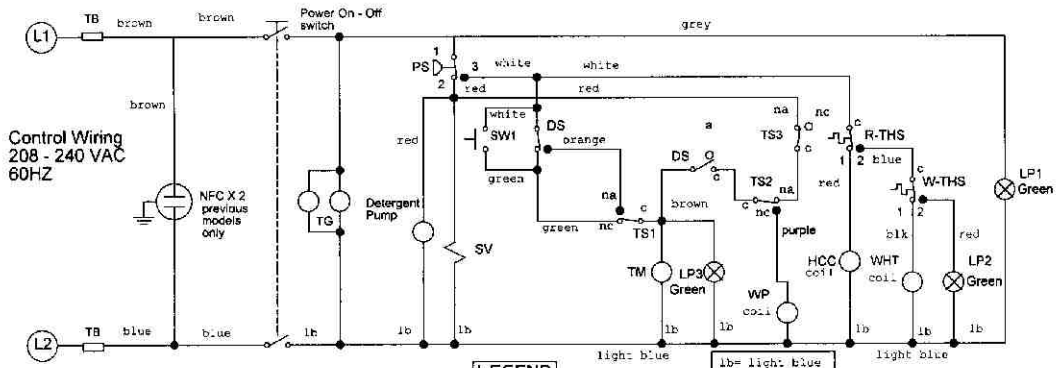


- LEGEND**
- TB: terminal block, (control wiring)
 - NFC: audio filter (electrical noise distortion)
 - DP: drain pump
 - SW2: switch activate drain pump
 - PS: pressure switch, control water level
 - SV: solenoid valve
 - DS: door switch
 - SW1: cycle switch (start switch)
 - CR: control relay with two normally open contacts
 - CR1: normally open contact of (CR)
 - CR2: normally open contact of (CR)
 - TM: timer motor
 - TS1: timer microswitch (TM)
 - TS2: timer microswitch (TM)
 - TS3: timer microswitch (TM)
 - WP: wash pump
 - R-THS: rinse thermostal
 - W-THS: wash thermostal
 - HCC: booster heater contactor
 - WTH: wash heater element
 - LP1: power on-off indicator light
 - LP2: ready indicator light
 - LP3: cycle indicator light
 - C: capacitor
 - TG: temperature gauge



5771 Ferrier St Montreal, QC, H4P 1N3 Canada
 Author: Carlos Quesada
 Verifier: Mario Rath
 Diagram Date: 8/8/01 09:29:49
 Revision Date: 11/2/01 16:16:40
 diagram 737dp
JET-TECH SYSTEMS
 10 fevrier 2002 1-888-275-4538

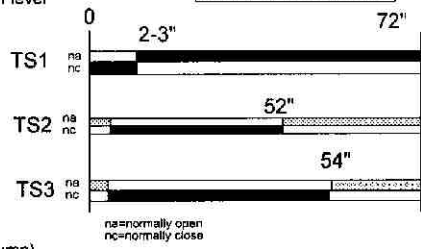
737



LEGEND

- TB: terminal block, (control wiring)
- NFC: audio filter (electrical noise distortion)
- PS: pressure switch, control water level
- SV: solenoid valve
- DS: door switch
- SW1: cycle switch (start switch)
- TM: timer motor
- TS1: timer microswitch (TM)
- TS2: timer microswitch (TM)
- TS3: timer microswitch (TM)
- WP: wash pump
- R-THS: rinse thermostat
- W-THS: wash thermostat
- HCC: booster heater contactor
- LP1: power on-off indicator light
- LP2: ready indicator light
- LP3: cycle indicator light
- O/L: over load protection(wash pump)
- WHT: wash heater (contactor)
- C: capacitor
- TG: temperature gauge

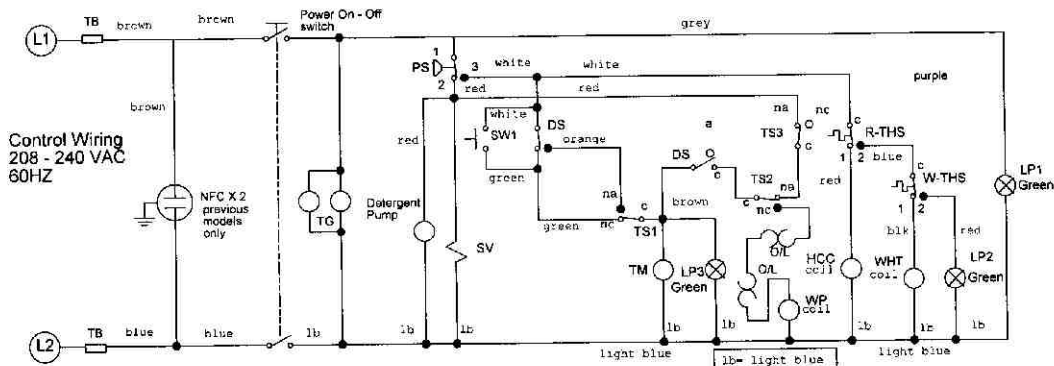
TIMER PROGRAM



na=normally open
nc=normally close

5771 Ferrier st Montreal, QC, H4P 1N3 Canada
 Author: Carlos Quesada
 Verified by: Mario Rattu
 Diagram: 747 SINGLE PHASE
 Revision Date: 12/14/01 15:44:49
 JET-TECH SYSTEMS
 10 fevrier 2002 1-888-275-4538

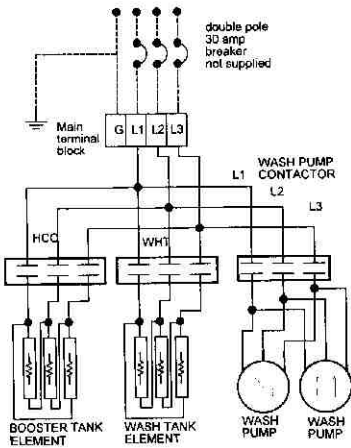
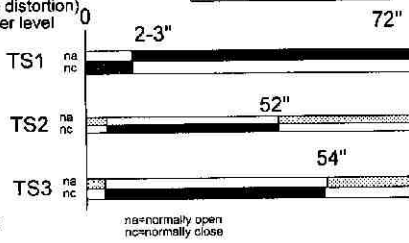
747 - 1



LEGEND

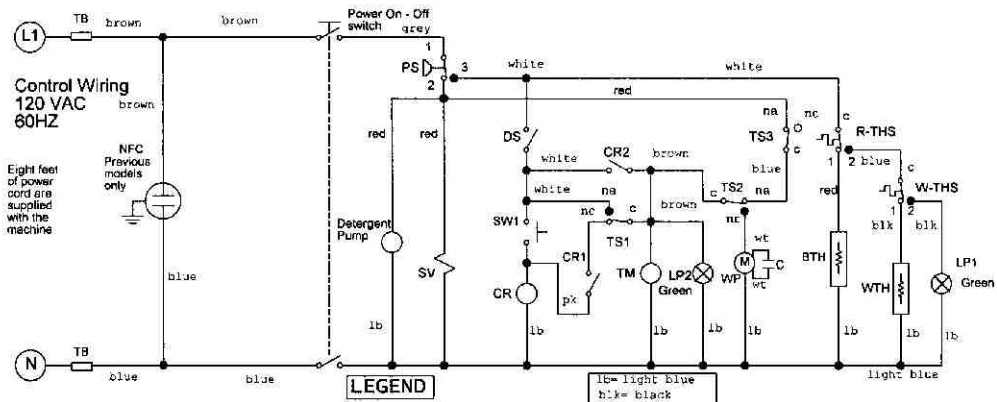
- TB: terminal block, (control wiring)
- NFC: audio filter (electrical noise distortion)
- PS: pressure switch, control water level
- SV: solenoid valve
- DS: door switch
- SW1: cycle switch (start switch)
- TM: timer motor
- TS1: timer microswitch (TM)
- TS2: timer microswitch (TM)
- TS3: timer microswitch (TM)
- WP: wash pump
- R-THS: rinse thermostat
- W-THS: wash thermostat
- HCC: booster heater contactor
- LP1: power on-off indicator light
- LP2: ready indicator light
- LP3: cycle indicator light
- O/L: over load protection(wash pump)
- WHT: wash heater (contactor)
- TG: temperature gauge

TIMER PROGRAM



5771 Fernier st Montreal, QC, H4P 1N3 Canada
 Verifier: Carlos Quesada
 Meric Restu
 Creation Date: 8/6/01 09:29:49
 Revision Date: 12/13/01 10:22:01
 747-3 PHASES
 JET-TECH SYSTEMS
 10 fevrier 2002 1-888-275-4538

747 - 3



Control Wiring
120 VAC
60HZ

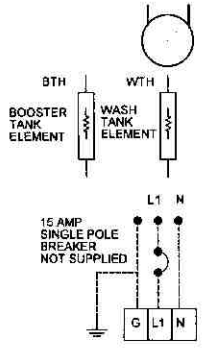
Eight feet of power cord are supplied with the machine

NFC
Previous models only

LEGEND

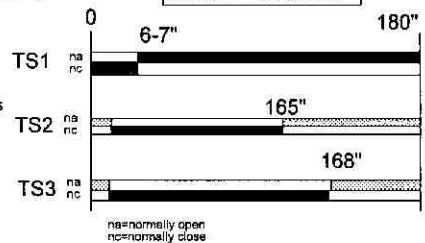
lb=light blue
blk=black
pk=pink
wt=white

WASH PUMP



- TB: terminal block, (control wiring)
- NFC: audio filter (electrical noise distortion)
- SW2: switch activate drain pump
- PS: pressure switch, control water level
- SV: solenoid valve
- DS: door switch
- SW1: cycle switch (start switch)
- CR: control relay with two normally open contacts
- CR1: normally open contact of (CR)
- CR2: normally open contact of (CR)
- TM: timer motor
- TS1: timer microswitch (TM)
- TS2: timer microswitch (TM)
- TS3: timer microswitch (TM)
- WP: wash pump
- R-THS: rinse thermostat
- W-THS: wash thermostat
- LP1: ready indicator light
- LP2: cycle indicator light
- C: capacitor

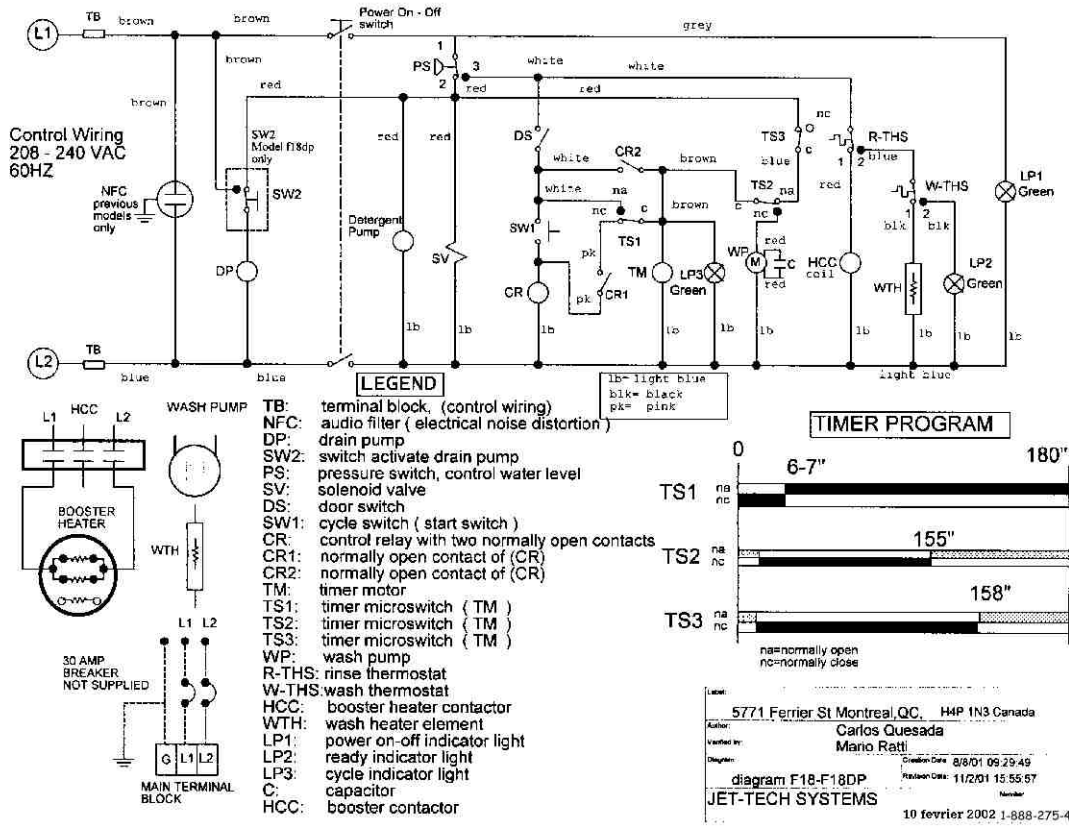
TIMER PROGRAM



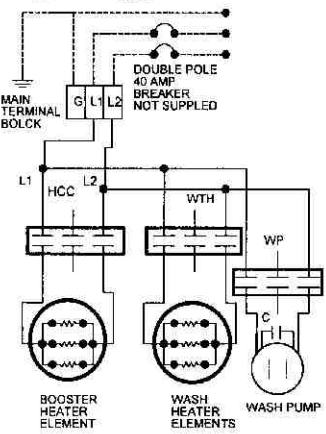
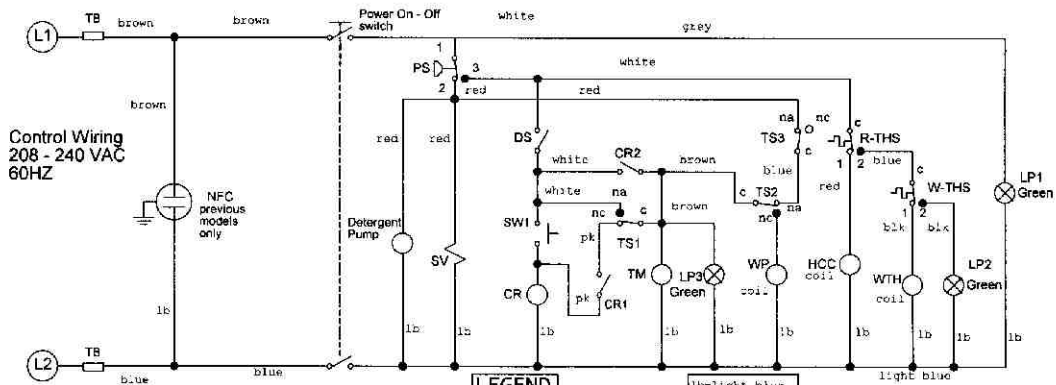
na=normally open
nc=normally close

5771 Ferrier st Montreal, QC, H4P 1N3 Canada
 Author: Carlos Quesada
 Verified by: Mario Ratti
 Creation Date: 8/5/01 09:28:49
 Revision Date: 2/6/02 09:16:27
 PIPER-F14
 JET-TECH SYSTEMS
 10 fevrier 2002 | 1-888-275-4538

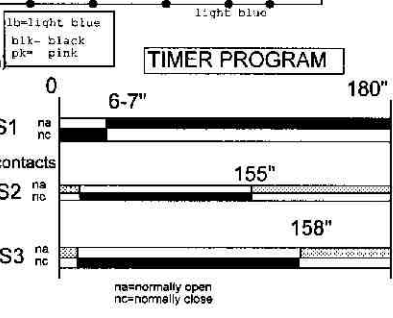
F14



F18

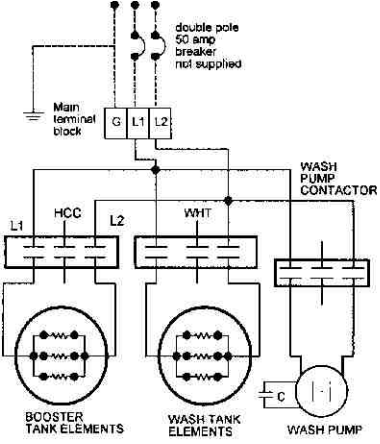
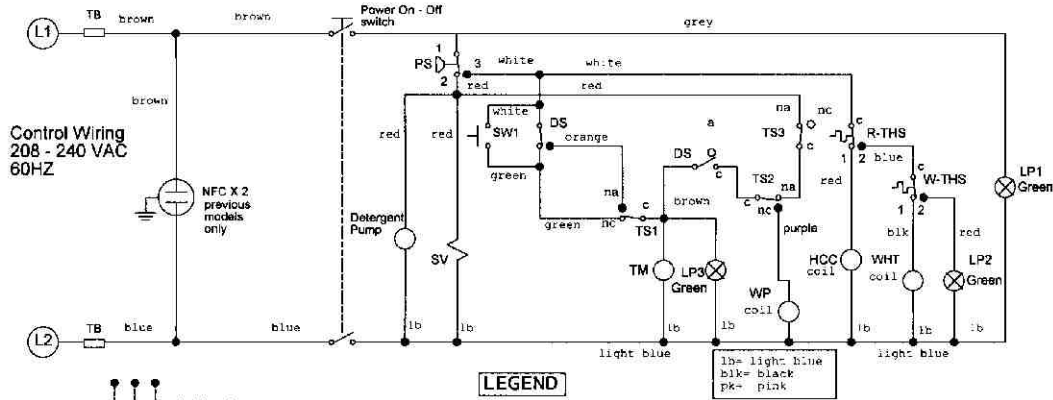


- LEGEND**
- TB: terminal block, (control wiring)
 - NFC: audio filter (electrical noise distortion)
 - SW2: switch activate drain pump
 - PS: pressure switch, control water level
 - SV: solenoid valve
 - DS: door switch
 - SW1: cycle switch (start switch)
 - CR: control relay with two normally open contacts
 - CR1: normally open contact of (CR)
 - CR2: normally open contact of (CR)
 - TM: timer motor
 - TS1: timer microswitch (TM)
 - TS2: timer microswitch (TM)
 - TS3: timer microswitch (TM)
 - R-THS: rinse thermostat
 - W-THS: wash thermostat
 - LP1: power on-off indicator light
 - LP2: ready indicator light
 - LP3: cycle indicator light
 - C: capacitor
 - HCC: booster heater
 - WHT: wash heater contactor
 - WP: wash pump contactor

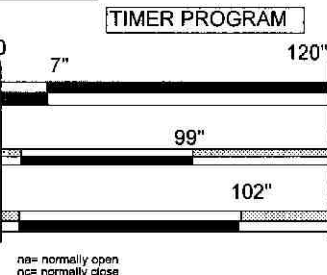


5771 Ferrier st Montreal, QC, H4P 1N3 Canada
 Carlos Quesada
 Mario Ratti
 F 20
 JET-TECH SYSTEMS
 10 fevrier 2002 1-888-275-4538

F20

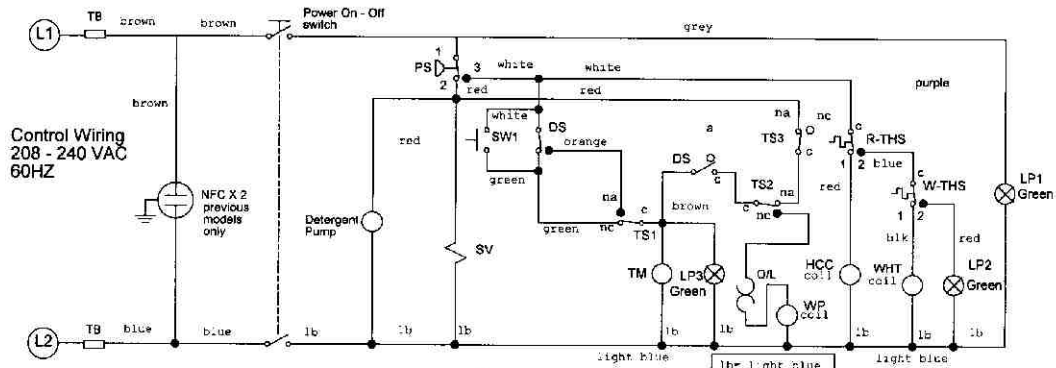


- LEGEND**
- TB: terminal block, (control wiring)
 - NFC: audio filter (electrical noise distortion)
 - PS: pressure switch, control water level
 - SV: solenoid valve
 - DS: door switch
 - SW1: cycle switch (start switch)
 - TM: timer motor
 - TS1: timer microswitch (TM)
 - TS2: timer microswitch (TM)
 - TS3: timer microswitch (TM)
 - WP: wash pump
 - R-THS: rinse thermostat
 - W-THS: wash thermostat
 - HCC: booster heater contactor
 - LP1: power on-off indicator light
 - LP2: ready indicator light
 - LP3: cycle indicator light
 - O/L: over load protection (wash pump)
 - WHT: wash heater (contactor)
 - C: capacitor



5771 Ferrier st Montreal QC, H4P 1N3 Canada
 Carlos Quesada
 Mario Ratti
 F22- 1ph
 Created Date: 5/8/01 09:28:48
 Revision Date: 2/6/02 09:20:05
 JET-TECH SYSTEMS
 10 fevrier 2002, 1-888-275-4538

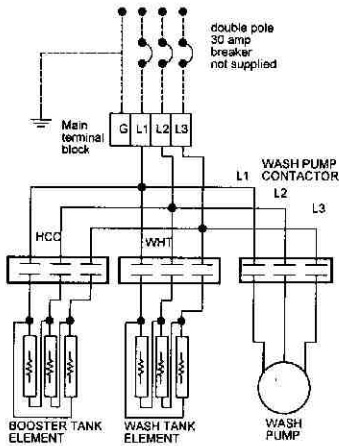
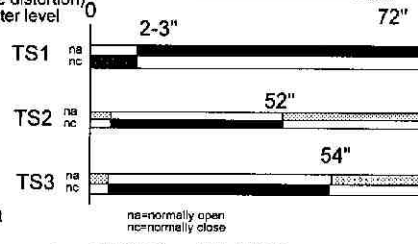
F22 - 1



LEGEND

- TB: terminal block (control wiring)
- NFC: audio filter (electrical noise distortion)
- PS: pressure switch, control water level
- SV: solenoid valve
- DS: door switch
- SW1: cycle switch (start switch)
- TM: timer motor
- TS1: timer microswitch (TM)
- TS2: timer microswitch (TM)
- TS3: timer microswitch (TM)
- WP: wash pump
- R-THS: rinse thermostat
- W-THS: wash thermostat
- HCC: booster heater contactor
- LP1: power on-off indicator light
- LP2: ready indicator light
- LP3: cycle indicator light
- O/L: over load protection (wash pump)
- WHT: wash heater (contactor)
- TG: temperature gauge

TIMER PROGRAM



na=normally open
nc=normally close

5771 Ferrier st Montreal QC, H4P 1N3 Canada
 Carlos Quesada
 Mario Ratti

8/8/01 09:29:49
 12/17/01 10:58:15

F22-3 - PHASES
 JET-TECH SYSTEMS

10 fevrier 2002, 1-888-275-4538

F22 - 3