

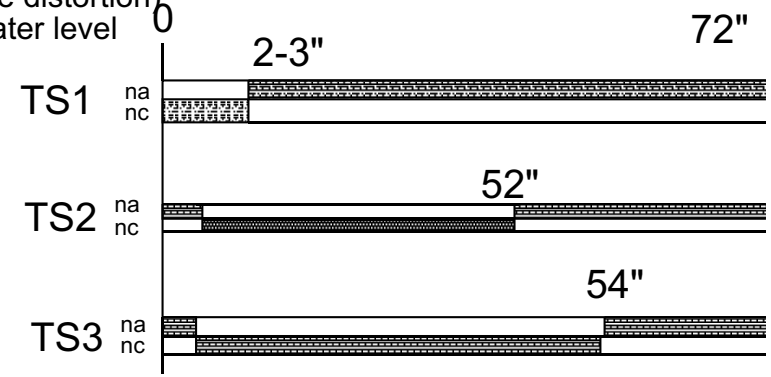
Control Wiring
208 - 240 VAC
60HZ

LEGEND

- TB: terminal block, (control wiring)
- NFC: audio filter (electrical noise distortion)
- PS: pressure switch, control water level
- SV: solenoid valve
- DS: door switch
- SW1: cycle switch (start switch)
- TM: timer motor
- TS1: timer microswitch (TM)
- TS2: timer microswitch (TM)
- TS3: timer microswitch (TM)
- WP: wash pump
- R-THS: rinse thermostat
- W-THS: wash thermostat
- HCC: booster heater contactor
- LP1: power on-off indicator light
- LP2: ready indicator light
- LP3: cycle indicator light
- O/L: over load protection(wash pump)
- WHT: wash heater (contactor)
- TG: temperature gauge

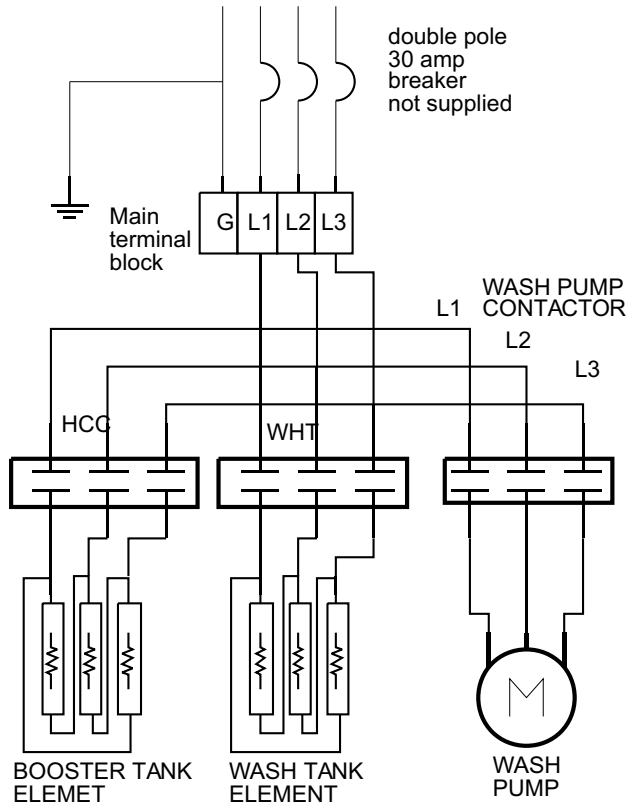
lb= light blue
blk= black
pk= pink

TIMER PROGRAM

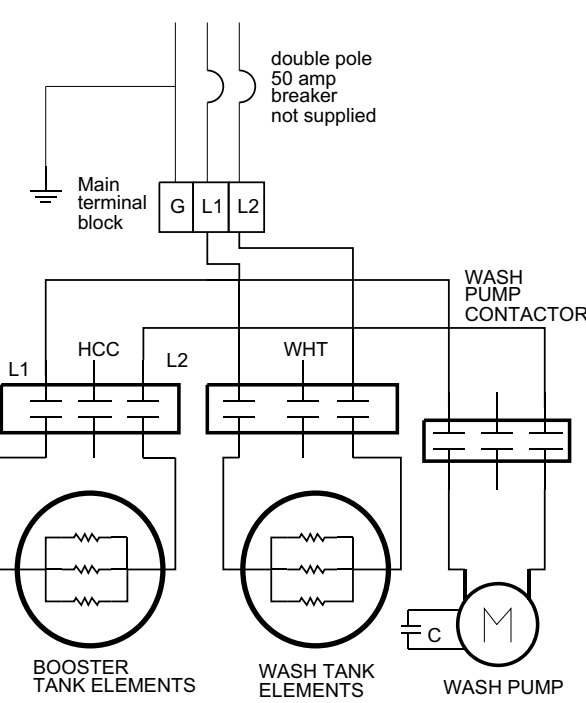
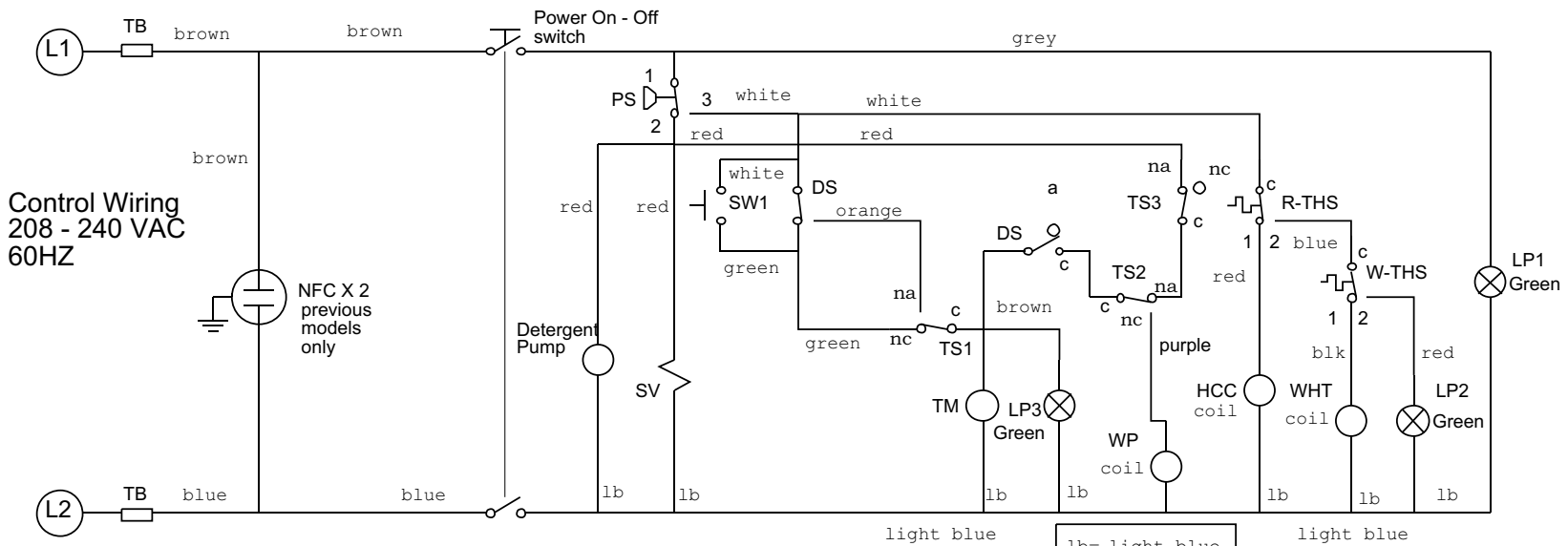


na=normally open
nc=normally close

H4P 1N3 Canada



F22 Tri-phase

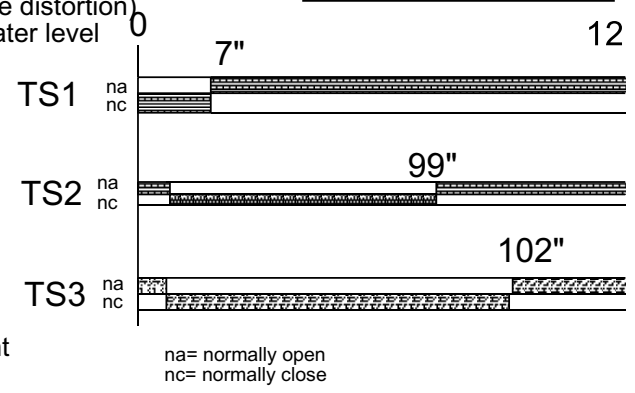


LEGEND

- TB: terminal block, (control wiring)
- NFC: audio filter (electrical noise distortion)
- PS: pressure switch, control water level
- SV: solenoid valve
- DS: door switch
- SW1: cycle switch (start switch)
- TM: timer motor
- TS1: timer microswitch (TM)
- TS2: timer microswitch (TM)
- TS3: timer microswitch (TM)
- WP: wash pump
- R-THS: rinse thermostat
- W-THS: wash thermostat
- HCC: booster heater contactor
- LP1: power on-off indicator light
- LP2: ready indicator light
- LP3: cycle indicator light
- O/L: over load protection (wash pump)
- WHT: wash heater (contactor)
- C: capacitor

lb= light blue
 blk= black
 pk= pink

TIMER PROGRAM



na= normally open
 nc= normally close

H4P 1N3 Canada