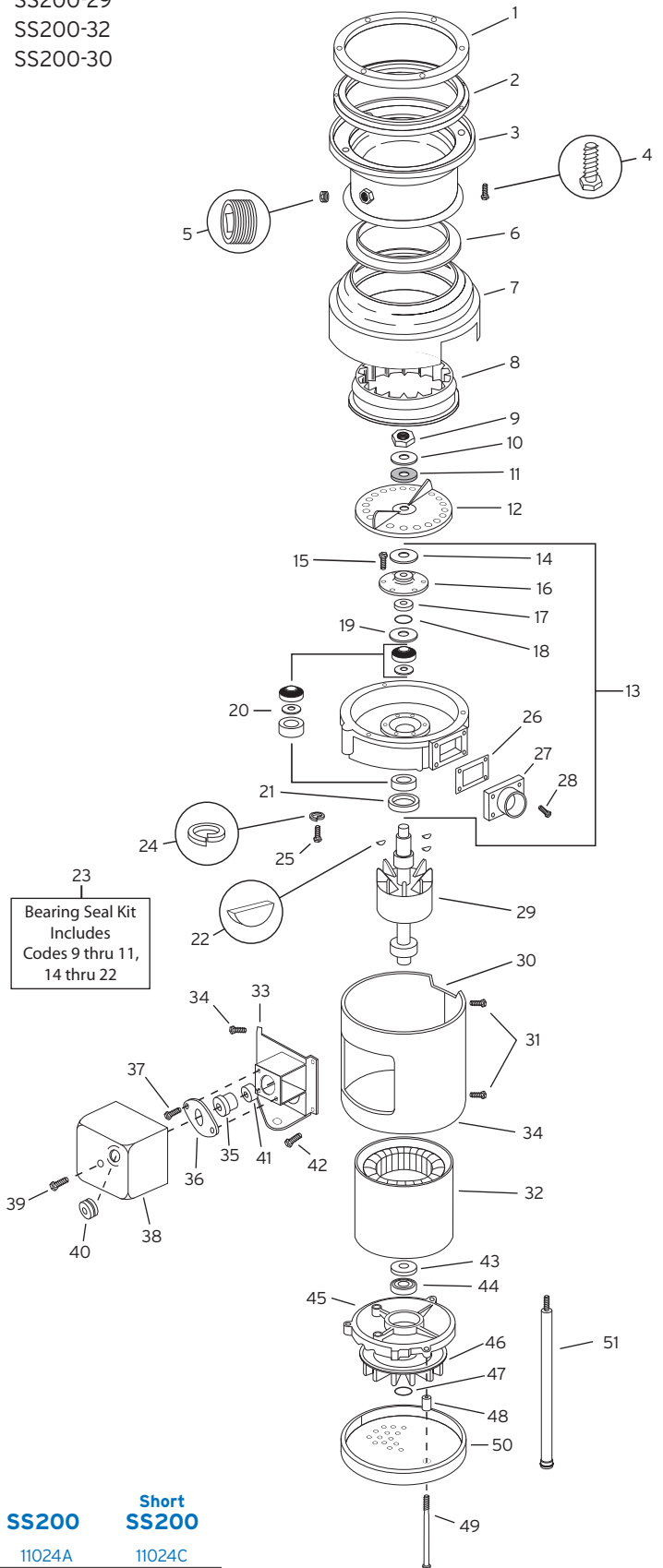


Standard UL	SS150-36	SS200-29
Short Body UL	SS150-39	SS200-32
CSA Approved	SS150-37	SS200-30

CODE #	DESCRIPTION	QTY	PART NUMBER
1	Mounting Flange	1	11004
2	Mounting Gasket	1	11016
3	Upper Body Assy	1	See Chart "A"
4	Screw (1/4-20 x 3/4)	6	1491
5	Pipe Plug	1	11227
6	Shredder Gasket	1	11007
7	Body & Cover Assy	1	12443ZZ
8	Stationary Shredder	1	11251ZZ
9	Nut	1	11260
10	Washer	1	12445
11	Fiber Washer	1	12142
12	Rotating Shredder Assy	1	12946ZZ
13	Upper End Bell Assy (14-22)	1	13723
14	Shield	1	12936
15	Screw (8-18 x 1/2)	6	1269
16	Seal Assy	1	12934A
17	Spacer Sleeve	1	12935
18	O-Ring	1	12860
19	Slinger	1	12319
20	Upper Bearing Assy	1	12610
21	Water & Oil Seal	1	12326
22	Woodruff Key	3	11322
23	Bearing Seal Kit (9-11 & 14-22)	1	13080
24	Lock Washer	6	11444
25	Screw (1/4-20 x 1/2)	6	11524
26	Tailpipe Gasket	1	11459
27	Tailpipe Flange	1	13997
28	Screw (1/4-20 x 3/4)	4	13369
29	Rotor & Shaft Assy	1	See Chart "A"
30	Trim Band	1	12426ZZ
31	Screw (8-32 x 1/2)	2	1836A
32	Stator Assy	1	See Chart "A"
33	Mounting Bracket Assy	1	12433EZZ
34	Screw (8-18 x 1/4)	4	11448
35	Overload Protector	1	See Chart "A"
36	Overload Clamp	1	12378
37	Screw (8-32 x 1/2)	2	8221
38	Terminal Box Assy	1	13396ZZ
39	Screw (8-32 x 1-1/4)	1	12381
40	Overload Grommet	1	12383
41	Bushing	1	12384
42	Ground Screw	1	2466A
43	Lower Bearing	1	13709
44	Pre-Load Spring	1	13678
45	Lower End Frame	1	13747
46	Fan	1	13676ZZ
47	Retaining Ring	1	13677ZZ
48	Tube Spacer	3	12490
49	Thru Bolt	3	12382A
50	Bottom Cover	1	12432
51	Foot Tube Assy	2	11757B



(A)

CODE #	DESCRIPTION	QTY	SS150	Short SS150	SS200	Short SS200
3	Upper Body Assy	1	11024A	11024C	11024A	11024C
29	Rotor & Shaft Assy	1	13675CZZ	13675CZZ	13675DZZ	13675DZZ
32	Stator Assy	1	13714D	13714D	13714E	13714E
35	Overload Protector	1	13422M	13422M	13422P	13422P

