

IN-SINK-ERATOR

UL
MODEL PRO-77-5

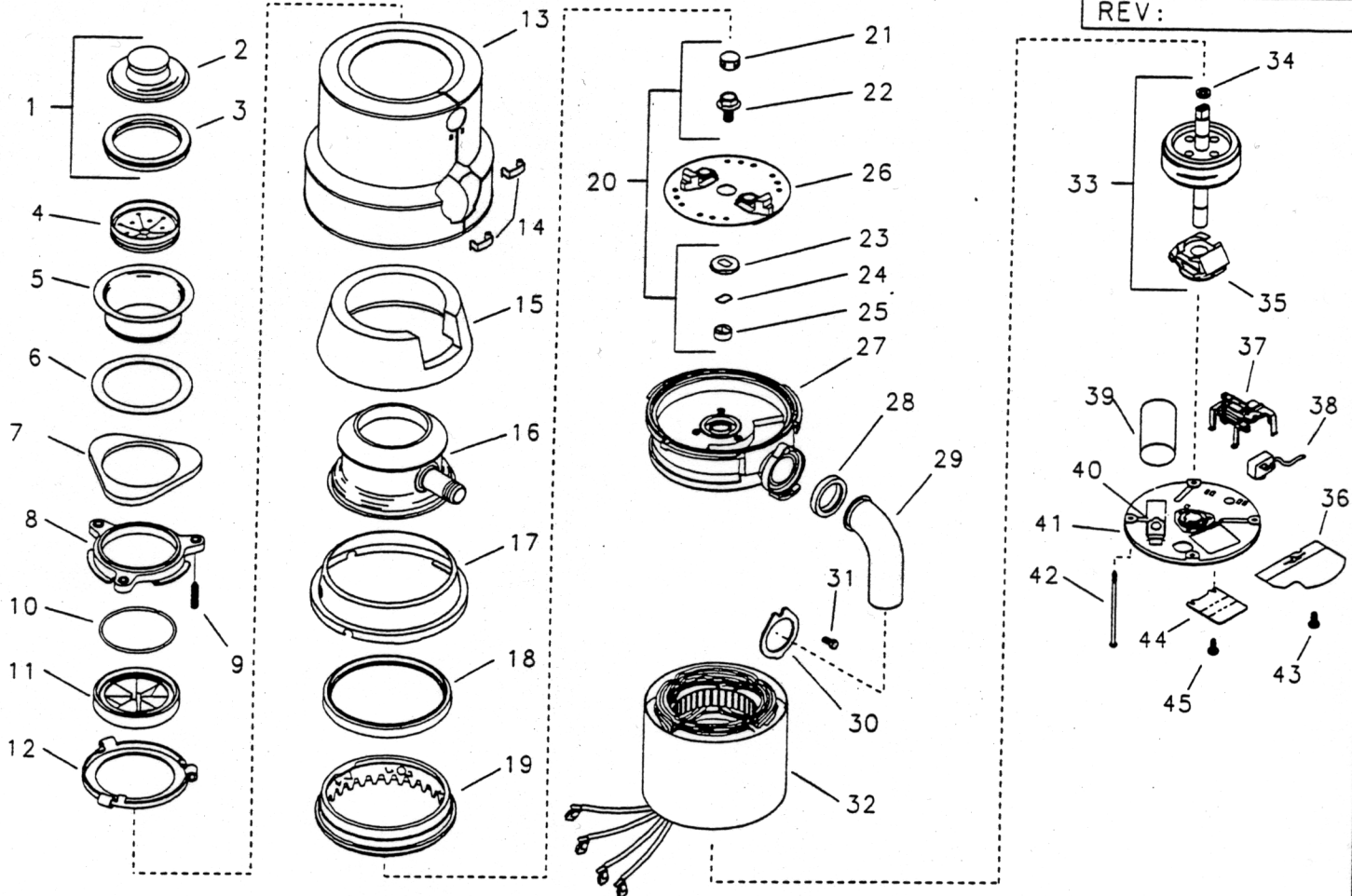
7 YR FULL WRNTY

120v/60Hz.

1 H.P.

START DATE
 1-96
 ENGINEER NUMBER
 71398

REV:



ORDER BY PART NUMBER, NOT CODE NUMBER

CODE NO.	PART NO.	NO. REQ.	DESCRIPTION	CODE NO.	PART NO.	NO. REQ.	DESCRIPTION
1	5032-A	1	STOPPER ASSY (INCLUDES CODES 2-3)	32	8628-N	1	STATOR ASSY
2	5031-C	1	STOPPER - POLISHED	33	70423	1	SHAFT ASSY (INCLUDES CODES 34-35)
3	5029	1	GASKET, STOPER	34	2642	1	WASHER
4	70966	1	BAFFLE	35	2467	1	SWITCH, CENTRIFUGAL ACTUATOR
5	10025-B	1	FLANGE, STRAINER	36	4134	1	SHIELD, WIRE
6	1160	1	GASKET, SINK FLANGE	37	70360	1	SWITCH, START REVERSE
7	5150-E	1	FLANGE, BACKUP	38	2267-CM	1	PROTECTOR, OVERLOAD
8	5141	1	FLANGE, MOUNTING	39	5861	1	CAPACITOR
9	5147	3	SCREW, BACKUP	40	71425	1	CLIP, CAPACITOR
10	5166	1	RING, RETAINING	41	70424	1	LOWER ENDFRAME ASSY (INCLUDES CODE 43)
11	1010-A	1	GASKET, MOUNTING	42	2486-A	2	BOLT, THRU
12	5298	1	FLANGE, BODY	43	2466-A	1	SCREW, GROUND
13	3548-N	1	TRIM SHELL ASSY	44	71387	1	COVER, TERMINAL
14	2037	2	CLIP, TRIM SHELL	45	70734	1	SCREW, TERMINAL COVER
15	1221-A	1	INSULATION, TOP	46	70455	1	INSTALLATION, CARE & USE BOOK (NOT SHOWN)
16	3559-D	1	BODY CONTAINER ASSY (INCLUDES CODE 18)	47	2610-PL	1	INSTRUCTION ASSY (NOT SHOWN) (INCLUDES CODES 4, 28-31 & 46)
17	1225-D	1	RING, CLAMPING				
18	4395	1	GASKET, SHREDDER				
19	70814	1	ADAPTER ASSY, SHREDDER				
20	70647	1	SLEEVE & SEAL KIT (INCLUDES CODES 21-25)				
21	2854	1	PLUG				
22	N/A	1	BOLT, HEX HEAD FLANGE				
23	N/A	1	SLINGER				
24	N/A	1	SEAL				
25	N/A	1	SLEEVE				
26	71022	1	ROTATING SHREDDER ASSY				
27	9209-C	1	UPPER ENDBELL ASSY				
28	1470	1	GASKET, TAILPIPE				
29	8219	1	TAILPIPE				
30	5490	1	FLANGE, TAILPIPE				
31	1491	1	SCREW, TAILPIPE				