

IN SINK ERATOR

4 Year Full Warranty

HOUSEHOLD DISPOSER (UL)

MODEL PRO 333 - 7/A

120V / 60Hz

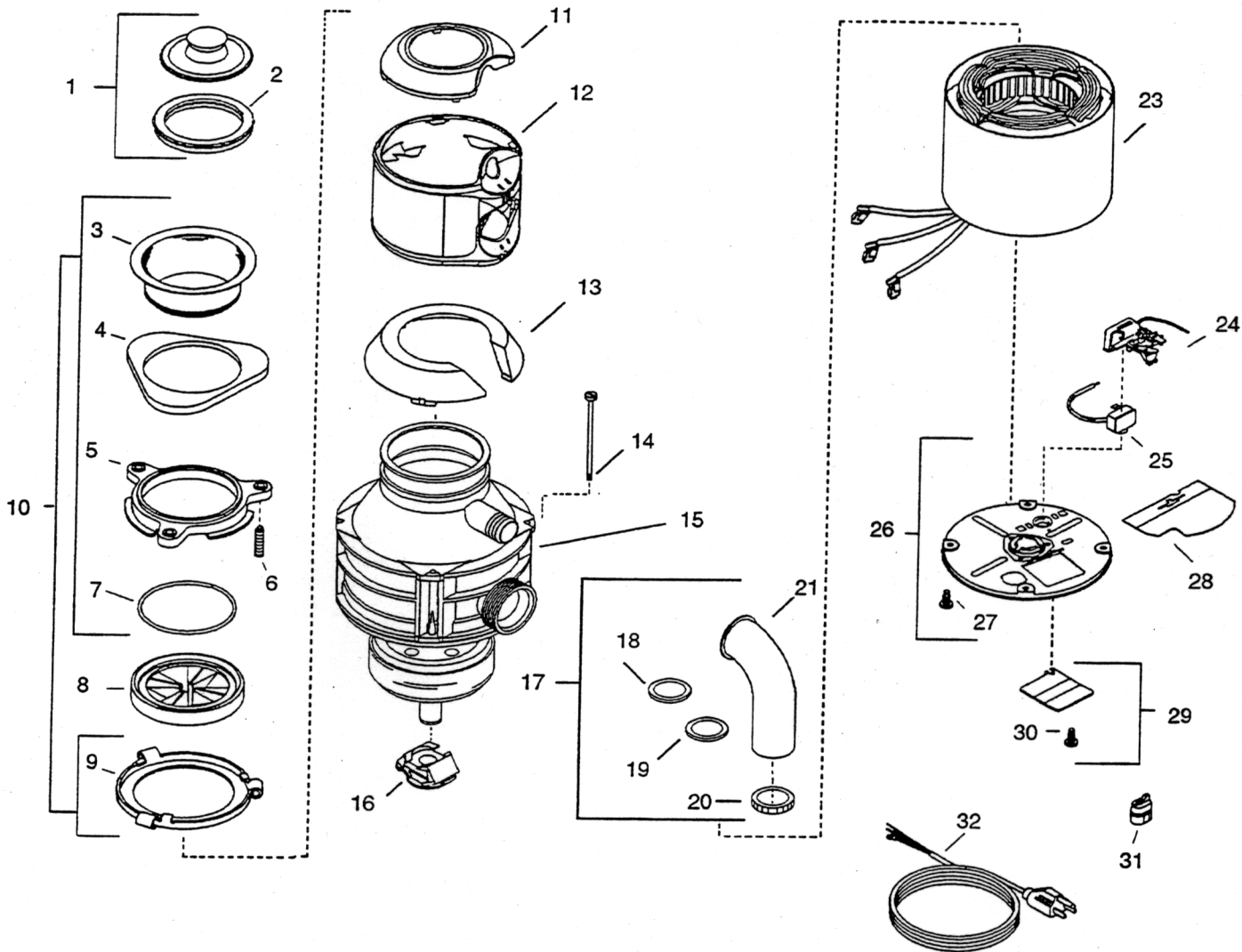
3/4 H.P.

Start Date:

11/99

Engineer Number:

72342/A



ORDER BY PART NUMBER, NOT CODE NUMBER

CODE NO.	PART NO.	NO. REQ.	DESCRIPTION	CODE NO.	PART NO.	NO. REQ.	DESCRIPTION
1	5032A	1	Stopper Assembly (Inc. Code 2)	17	72555	1	Kit, Installation (Incl. codes 18-22)
2	N/A	1	Gasket, Stopper	18	N/A	1	Washer, Flanged
3	N/A	1	Flange, Strainer	19	N/A	1	Washer, Beveled
4	N/A	1	Flange, Backup	20	N/A	1	Nut, 1 - 1/2" Slip
5	N/A	1	Flange, Mounting	21	N/A	1	Tailpipe
6	N/A	3	Screw, Backup	22	4577	1	Wrench, Emergency (Not Shown)
7	N/A	1	Ring, Retaining	23	8629A	1	Stator Assembly
8	70368	1	Gasket, Mounting	24	3706C	1	Switch Assembly, Start
9	N/A	1	Flange, Body	25	2267CH	1	Overload, Protector
10	3173GT	1	Mounting Assy (Incl. Codes 3-7 & 9)	26	71875	1	End Frame Assembly (Includes Code 27)
11	71951	1	Trim Shell Cap	27	N/A	1	Screw, Ground
12	71975G	1	Trim Shell	28	4134	1	Shield, Wire
13	71963	1	Insulation	29	72647A	1	Cover, Terminal Assy (Incl. Code 30)
14	72029A	4	Bolt, Thru	30	N/A	1	Screw, Terminal Cover
15	N/A	1	Enclosure Assembly (Not Available - Replace Unit)	31	70666	1	Bushing (333-7A only)
16	2467	1	Centrifugal Actuator Assy	32	2272	1	Cord (333-7A only)
				33	72367	1	ICU Booklet (Not Shown)