



HOUSEHOLD DISPOSER (UL)

Model Pro333-5

4-Year Full Warranty

120V / 60Hz

3/4 H.P.

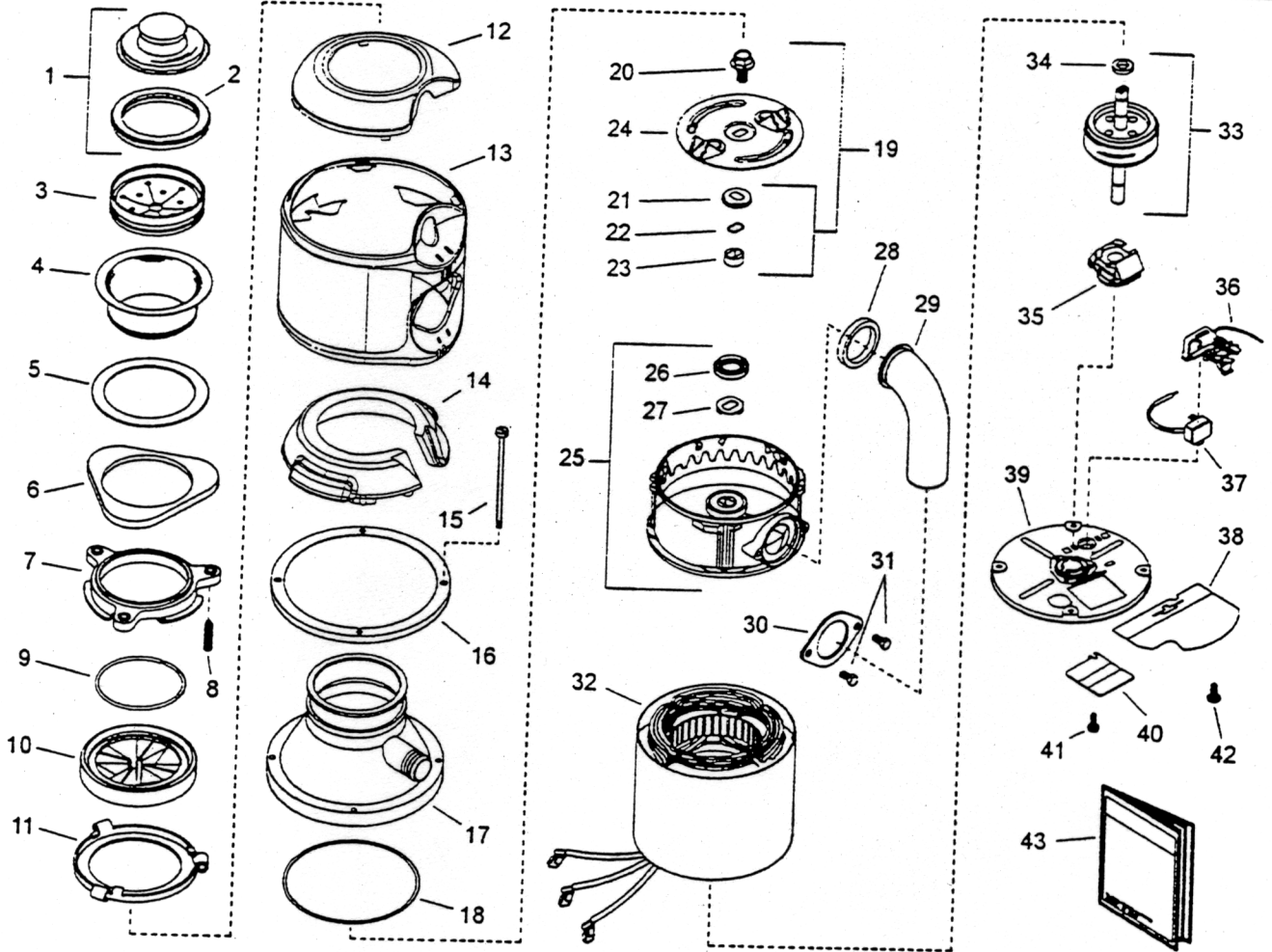
Start Date:

5/18/98

Engineer Number:

72000

Rev:



ORDER BY PART NUMBER, NOT CODE NUMBER

CODE NO.	PART NO.	NO. REQ.	DESCRIPTION	CODE NO.	PART NO.	NO. REQ.	DESCRIPTION
1	5032A	1	Stopper Assembly (Includes Code 2)	24	3216C	1	Shredder Assembly, Rotating
2	5029	1	Gasket, Stopper	25	8492L	1	End Bell Assembly, Upper (Includes Codes 26 & 27)
3	70966	1	Baffle	26	4250	1	Seal, Water & Oil
4	10025J	1	Flange, Strainer	27	2292	1	Washer, Thrust
5	1160	1	Gasket, Sink Flange	28	2592	1	Gasket, Tailpipe
6	5150E	1	Flange, Backup	29	8219	1	Tailpipe
7	5141	1	Flange, Mounting	30	2593A	1	Flange, Tailpipe
8	5147	3	Screw, Backup	31	1468	2	Screw, Tailpipe
9	5166	1	Ring, Retaining	32	8629A	1	Stator Assembly
10	70368	1	Gasket, Mounting	33	72083	1	Rotor & Shaft Assembly (Includes Code 34)
11	5298	1	Flange, Body	34	2642	1	Washer
12	71951A	1	Trim Shell Cap	35	2467	1	Centrifugal Actuator, Switch
13	71949A	1	Trim Shell	36	3706C	1	Switch Assembly, Start
14	71963	1	Insulation	37	2267CH	1	Overload, Protector
15	72029A	4	Bolt, Thru	38	4134	1	Shield, Wire
16	9206H	1	Clamping Ring	39	71875	1	End Frame Assembly, Lower (Includes Code 42)
17	70985AH	1	Body, Container (Includes Code 16)	40	71387	1	Cover, Terminal
18	1473	1	O-Ring	41	70734	1	Screw, Terminal Cover
19	70647	1	Sleeve & Seal Kit (Includes Codes 20 - 23)	42	2466A	1	Screw, Ground
20	N/A	1	Bolt, Hex Head Flange	43	72051	1	ICU Booklet
21	N/A	1	Slinger		2638GB	1	Instruction Assy (Not Shown) (Includes Codes 3, 28 - 31, 43)
22	N/A	1	Seal				
23	N/A	1	Sleeve				