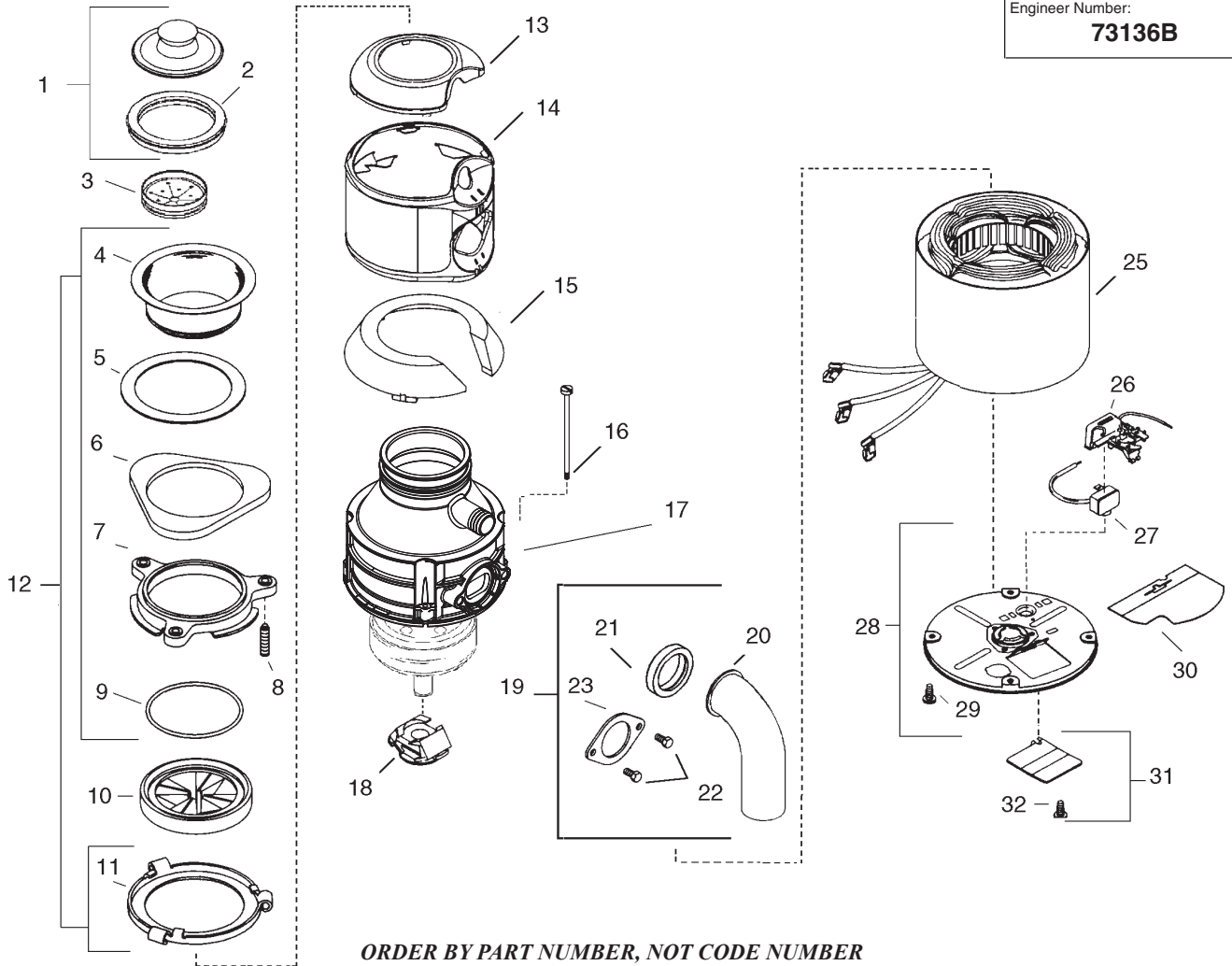


| | |
|------------------------|-----------------------------|
| Warranty: | 4 Year Full Warranty |
| hp/Volts/Hertz: | 3/4hp -120V / 60Hz |
| Production Start Date: | 2/03 |
| Engineer Number: | 73136B |



ORDER BY PART NUMBER, NOT CODE NUMBER

| CODE NO. | PART NO. | NO. REQ. | DESCRIPTION | CODE NO. | PART NO. | NO. REQ. | DESCRIPTION |
|----------|----------|----------|--|----------|----------|----------|--|
| 1 | 5032A | 1 | Stopper Assembly (Includes Code 2) | 19 | 73237 | 1 | Installation Kit (Incl. codes 3, 20-24) |
| 2 | 5029 | 1 | Stopper Gasket | 20 | N/A | 1 | Tailpipe |
| 3 | 70966 | 1 | Baffle | 21 | N/A | 1 | Tailpipe Gasket |
| 4 | N/A | 1 | Sink Flange | 22 | N/A | 2 | Screw |
| 5 | N/A | 1 | Fiber Gasket | 23 | N/A | 1 | Tailpipe Flange |
| 6 | N/A | 1 | Backup Ring | 24 | 4577 | 1 | Service Wrenchette (Not Shown) |
| 7 | N/A | 1 | Mounting Ring | 25 | 8629A | 1 | Stator Assembly |
| 8 | N/A | 3 | Screw | 26 | 3706C | 1 | Start Switch Assembly |
| 9 | N/A | 1 | Snap Ring | 27 | 2267DBZZ | 1 | Overload Protector |
| 10 | 70368 | 1 | Mounting Gasket | 28 | 71875D | 1 | End Frame Assembly (Includes Code 29) |
| 11 | N/A | 1 | Body Flange | 29 | N/A | 1 | Ground Screw |
| 12 | 3173GT | 1 | Mounting Assy (Incl. Codes 4-9 & 11) | 30 | 4134 | 1 | Wire Shield |
| 13 | 71951A | 1 | Trim Shell Cap | 31 | 72647A | 1 | Terminal Cover Assy (Incl. Code 32) |
| 14 | 73430 | 1 | Trim Shell | 32 | N/A | 1 | Terminal Cover Screw |
| 15 | 71963 | 1 | Insulation | 33 | 73117 | 1 | Installation, Care & Use Manual (Not Shown) |
| 16 | 73193A | 4 | Thru Bolt | | | | |
| 17 | N/A | 1 | Enclosure Assembly (Not Available/Replace Unit) | | | | |
| 18 | 2467 | 1 | Centrifugal Actuator Assy | | | | |