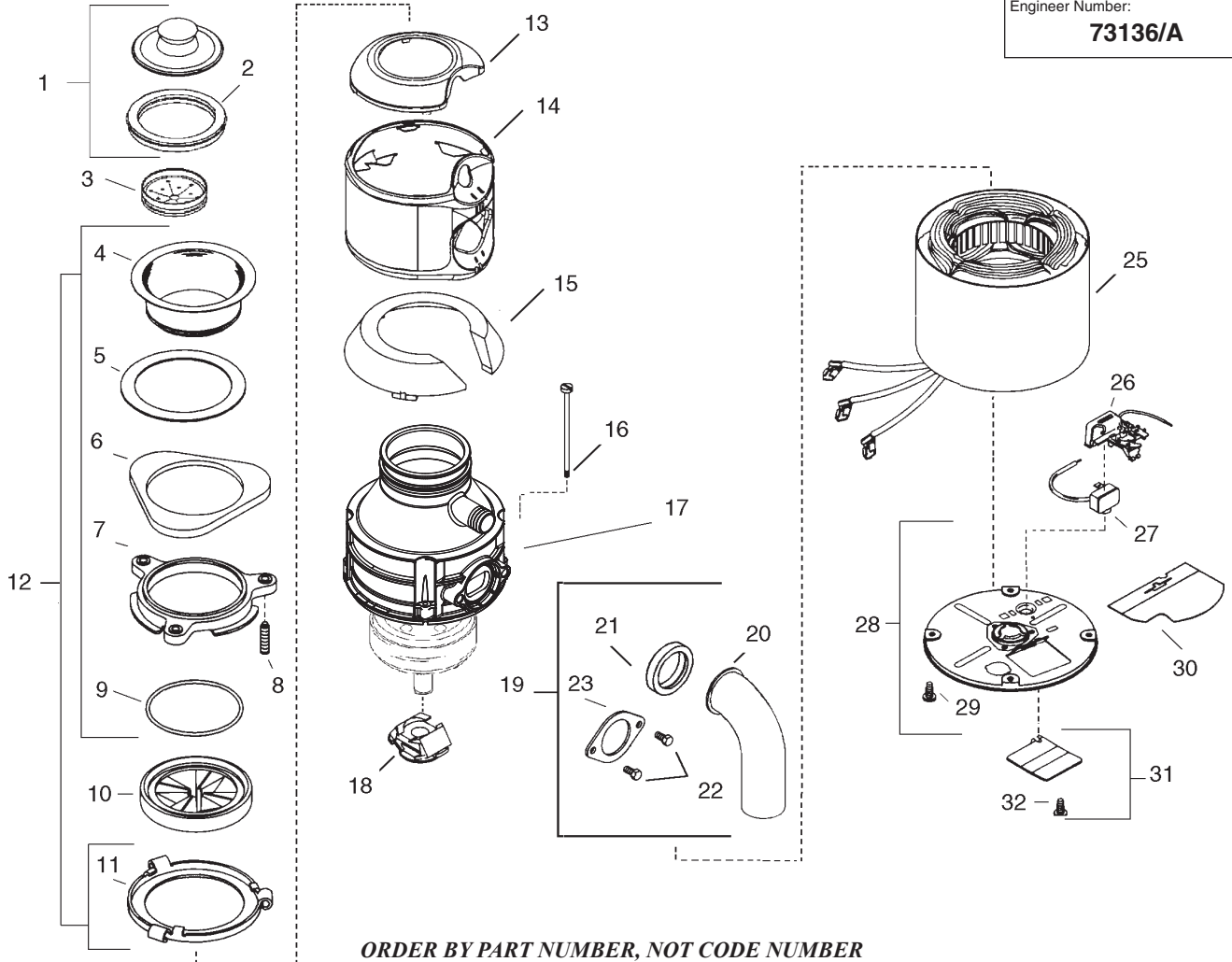


Warranty:	<b>4 Year Full Warranty</b>
hp/Volts/Hertz:	<b>3/4hp -120V / 60Hz</b>
Production Start Date:	<b>2/03</b>
Engineer Number:	<b>73136/A</b>



**ORDER BY PART NUMBER, NOT CODE NUMBER**

CODE NO.	PART NO.	NO. REQ.	DESCRIPTION	CODE NO.	PART NO.	NO. REQ.	DESCRIPTION
1	5032A	1	Stopper Assembly (Includes Code 2)	20	N/A	1	Tailpipe
2	5029	1	Stopper Gasket	21	N/A	1	Tailpipe Gasket
3	70966	1	Baffle	22	N/A	2	Screw
4	N/A	1	Sink Flange	23	N/A	1	Tailpipe Flange
5	N/A	1	Fiber Gasket	24	4577	1	Service Wrenchette (Not Shown)
6	N/A	1	Backup Ring	25	8629A	1	Stator Assembly
7	N/A	1	Mounting Ring	26	3706C	1	Start Switch Assembly
8	N/A	3	Screw	27	2267DBZZ	1	Overload Protector
9	N/A	1	Snap Ring	28	71875D	1	End Frame Assembly (Includes Code 29)
10	70368	1	Mounting Gasket	29	N/A	1	Ground Screw
11	N/A	1	Body Flange	30	4134	1	Wire Shield
12	3173GT	1	Mounting Assy (Incl. Codes 4-9 & 11)	31	72647A	1	Terminal Cover Assy (Incl. Code 32)
13	71951A	1	Trim Shell Cap	32	N/A	1	Terminal Cover Screw
14	73423	1	Trim Shell	33	73105	1	Installation, Care & Use Manual (Not Shown)
15	71963	1	Insulation	34	70666	1	Bushing (333-11A only - Not Shown)
16	73193A	4	Thru Bolt	35	2272	1	Cord (333-11A only - Not Shown)
17	N/A	1	Enclosure Assembly (Not Available/Replace Unit)				
18	2467	1	Centrifugal Actuator Assy				
19	73237	1	Installation Kit (Incl. codes 3, 20-24)				