

# IN-SINK-ERATOR

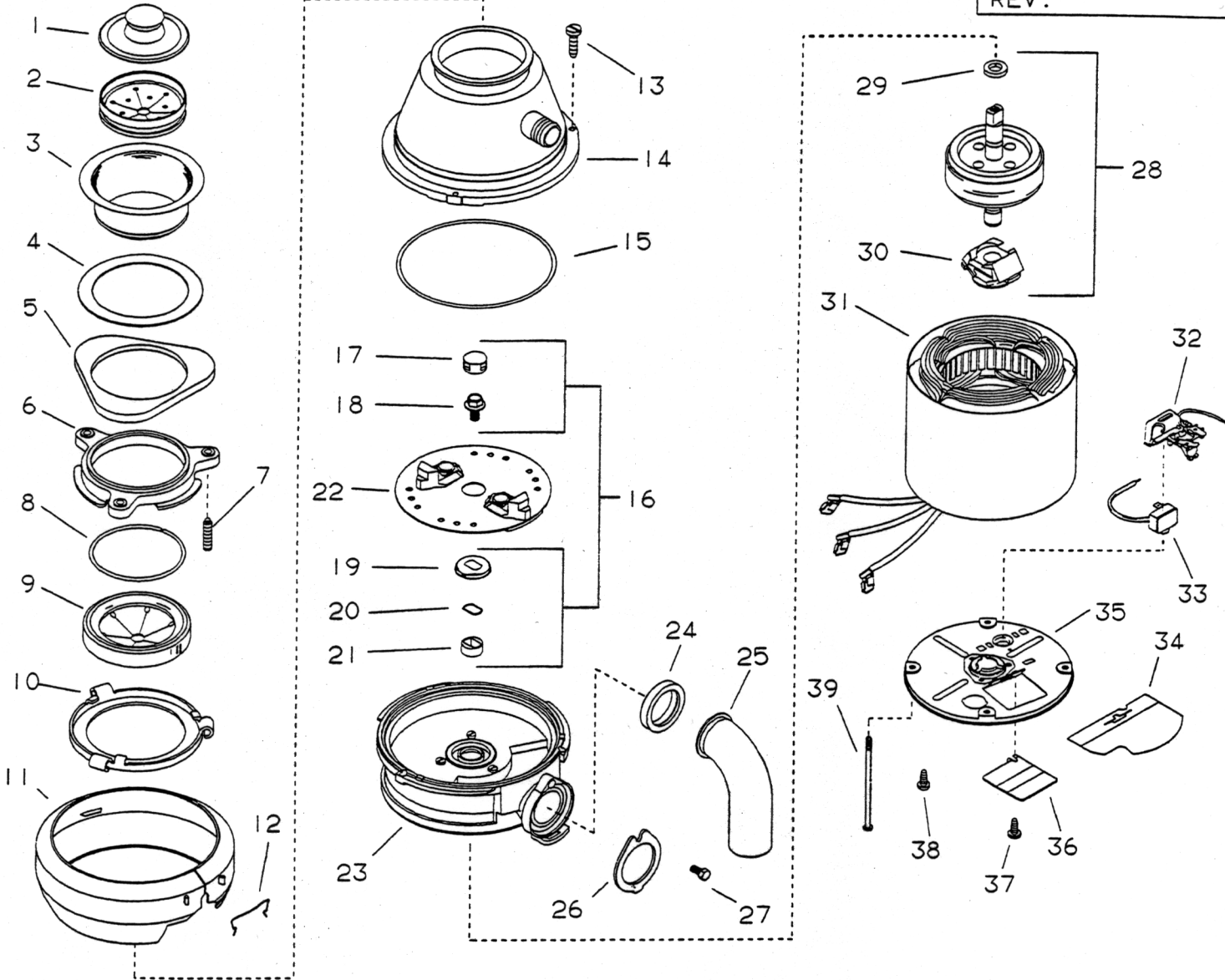
UL  
**MODEL PRO-333-1**

120V/60Hz.

1/2 H.P.

START DATE  
 01-18-93  
 ENGINEER NUMBER  
 70505

REV.



ORDER BY PART NUMBER, NOT CODE NUMBER

CODE NO.	PART NO.	NO. REQ.	DESCRIPTION	CODE NO.	PART NO.	NO. REQ.	DESCRIPTION
1	4310	1	STOPPER ASSEMBLY	24	1470	1	GASKET, TAILPIPE
2	3433	1	BAFFLE	25	8219	1	TAILPIPE
3	10025-B	1	FLANGE, STRAINER	26	5490	1	FLANGE, TAILPIPE
4	1160	1	SEAL, SINK FLANGE	27	1491	1	SCREW, TAILPIPE
5	5150-E	1	FLANGE, BACKUP	28	70486-B	1	SHAFT ASSEMBLY (INCLUDES CODES 29 & 30)
6	5141	1	FLANGE, MOUNTING	29	2642	1	WASHER, RUBBER
7	5147	3	SCREW, BACKUP	30	2467	1	CENTRIFUGAL ACTUATOR ASSEMBLY
8	5166	1	RING, RETAINING	31	3255-T	1	STATOR ASSEMBLY
9	1439	1	GASKET, MOUNTING	32	3706-C	1	START SWITCH ASSEMBLY
10	5298	1	FLANGE, BODY	33	2267-BY	1	PROTECTOR, OVERLOAD
11	8839-B	1	TRIM SHELL ASSEMBLY	34	4134	1	SHIELD, WIRE
12	5284	1	CLIP, TRIM SHELL	35	9901	1	LOWER ENDFRAME ASSEMBLY (INCLUDES CODE 38)
13	2439	3	SCREW, TAPPING	36	3584	1	COVER, TERMINAL
14	9262-B	1	BODY CONTAINER ASSEMBLY	37	11448	1	SCREW, TERMINAL COVER
15	1473	1	O-RING	38	2466-A	1	SCREW, GROUND
16	70647	1	SLEEVE & SEAL KIT (INCLUDES CODES 17 THRU 21)	39	2486-A	2	BOLT, THRU
7	2854	1	PLUG	40	70455	1	USE & CARE BOOKLET (NOT SHOWN)
18	N/A	1	BOLT, HEX HEAD FLANGE		2610-KL	1	INSTRUCTION ASSEMBLY (NOT SHOWN) (INCLUDES CODES 2, 24-27 & 40)
19	N/A	1	SLINGER				
20	N/A	1	SEAL				
21	N/A	1	SLEEVE				
22	8581	1	ROTATING SHREDDER ASSEMBLY				
23	9209-C	1	UPPER ENDBELL ASSEMBLY				