

IN-SINK-ERATOR

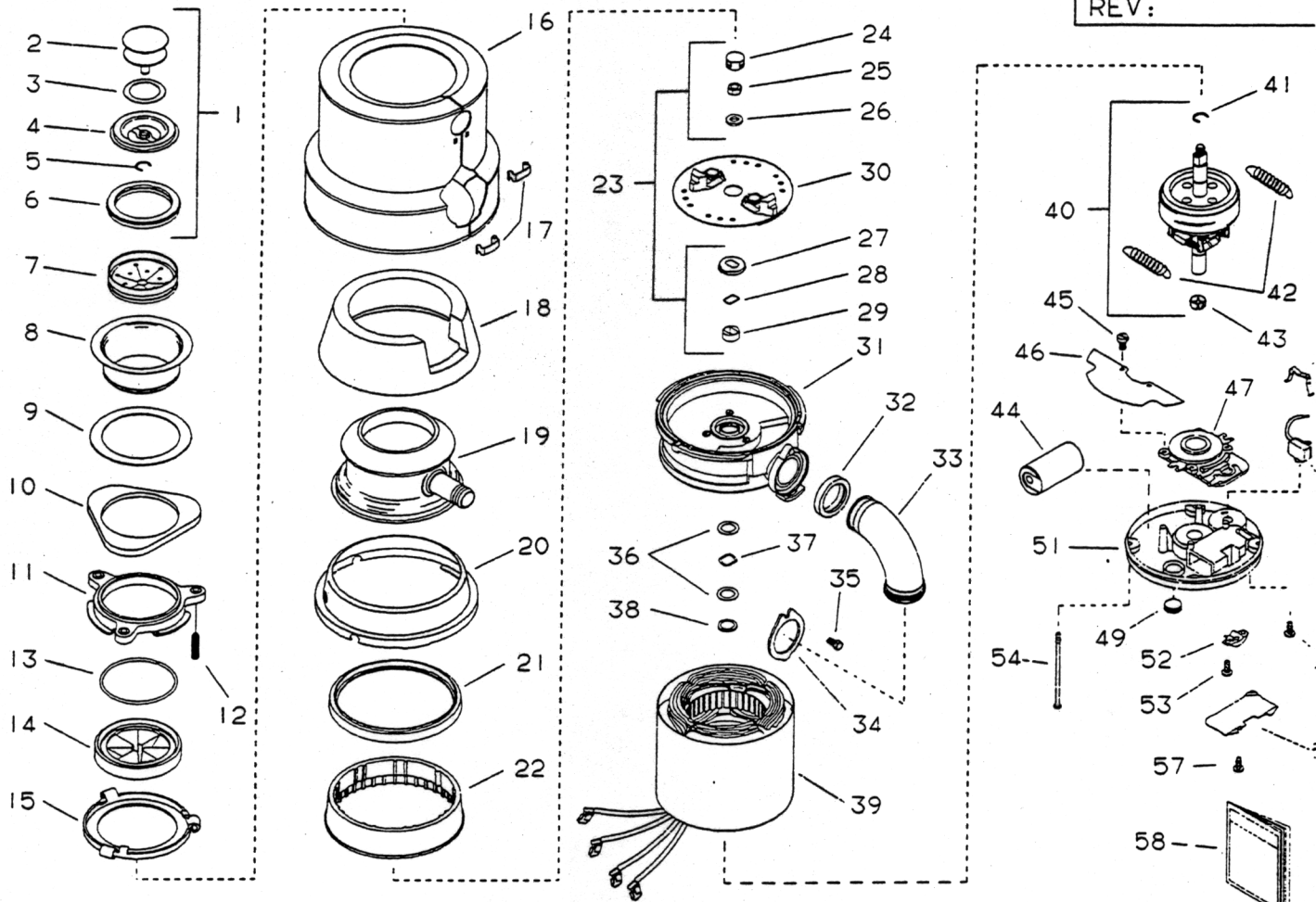
MODEL PRO-77

120v/60Hz.

1 H.P.

U.S.A.
 START DATE
 3/30/92
 ENGINEER NUMB
 70453

REV:



ORDER BY PART NUMBER, NOT CODE NUMBER

CODE NO.	PART NO.	NO. REQ.	DESCRIPTION	CODE NO.	PART NO.	NO. REQ.	DESCRIPTION
1	1876	1	STOPPER ASSEMBLY (INCLUDES CODES 2 - 6)	31	9209-C	1	END BELL ASSEMBLY, UPPER
2	1875	1	STOPPER, HANDLE	32	1470	1	GASKET, TAILPIPE
3	1144	1	GASKET, STOPPER (INNER)	33	8219	1	TAILPIPE
4	5015-C	1	BODY, STOPPER	34	5490	1	FLANGE, TAILPIPE
5	5045	1	RING, RETAINING	35	1491	1	SCREW, TAILPIPE
6	5029	1	GASKET, STOPPER (OUTER)	36	3551	2	WASHER, IHRUSI
7	3433	1	BAFFLE	37	3550	1	WASHER, SPRING
8	10025-B	1	FLANGE, STRAINER	38	8793	1	WASHER, CUP
9	1160	1	SEAL, SINK FLANGE	39	8628-N	1	STATOP ASSY
10	5150-E	1	FLANGE, BACKUP	40	8460-B	1	ROTOR & SHAFT ASSEMBLY (INCLUDES CODES 41 - 43)
11	5141	1	FLANGE, MOUNTING	41	4348	1	"C"-RING
12	5147	3	SCREW, BACKUP	42	7738	2	SPRING (CENTRIFUGAL ACTUATOR)
13	5166	1	RING, RETAINING	43	8361	1	TRANSFER ASSEMBLY
14	1010-A	1	GASKET, MOUNTING	44	5861	1	CAPACITOR
15	5298	1	FLANGE, BODY	45	8221	4	SCREW
16	3548-N	1	TRIM SHELL, ASSY. (TOP) (INCLUDES CODE 17 & BAG)	46	6618	1	INSULATION, SHIELD
17	2037	2	CLIP, TRIM SHELL	47	4469	1	SWITCH ASSEMBLY, START
18	1221-A	1	INSULATION, TOP	48	3620	1	CLIP, OVERLOAD
19	3559-J	1	BODY CONTAINER ASSEMBLY	49	6649	1	PLUG, PIPE
20	1225-D	1	CLAMPING RING	50	2267-CD	1	OVERLOAD, PROTECTOR
21	4395	1	GASKET, SHREDDER	51	9163	1	END FRAME ASSEMBLY, LOWER (INCLUDES CODES 48, 49 & 50)
22	1248	1	SHREDDER, STATIONARY	52	5060	1	CLAMP, BX
23	8583	1	SLEEVE & SEAL KIT (INCLUDES CODES 24 - 29)	53	5075	2	SCREW, BX CLAMP
24	2854	1	PLUG	54	5949	4	BOLT, THRU
25		1	NUT, FLANGE	55	1966	1	SCREW, GROUND
26		1	WASHER	56	5091-C	1	COVER, TERMINAL
27		1	SLINGER	57	8221	1	SCREW, TERMINAL COVER
28		1	SEAL	58	70455	1	USE & CARE BOOKLET
29		1	SLEEVE	-	2610-PL	1	INSTRUCTION ASSY. (NOT SHOWN) (INCLUDES CODES 7, 32-35 & 58)
30	8581	1	SHREDDER ASSEMBLY, ROTATING				