

TruServ

HOUSEHOLD DIPOSER (UL) MODEL No. MP 75

5 Year Warranty

120V / 60Hz

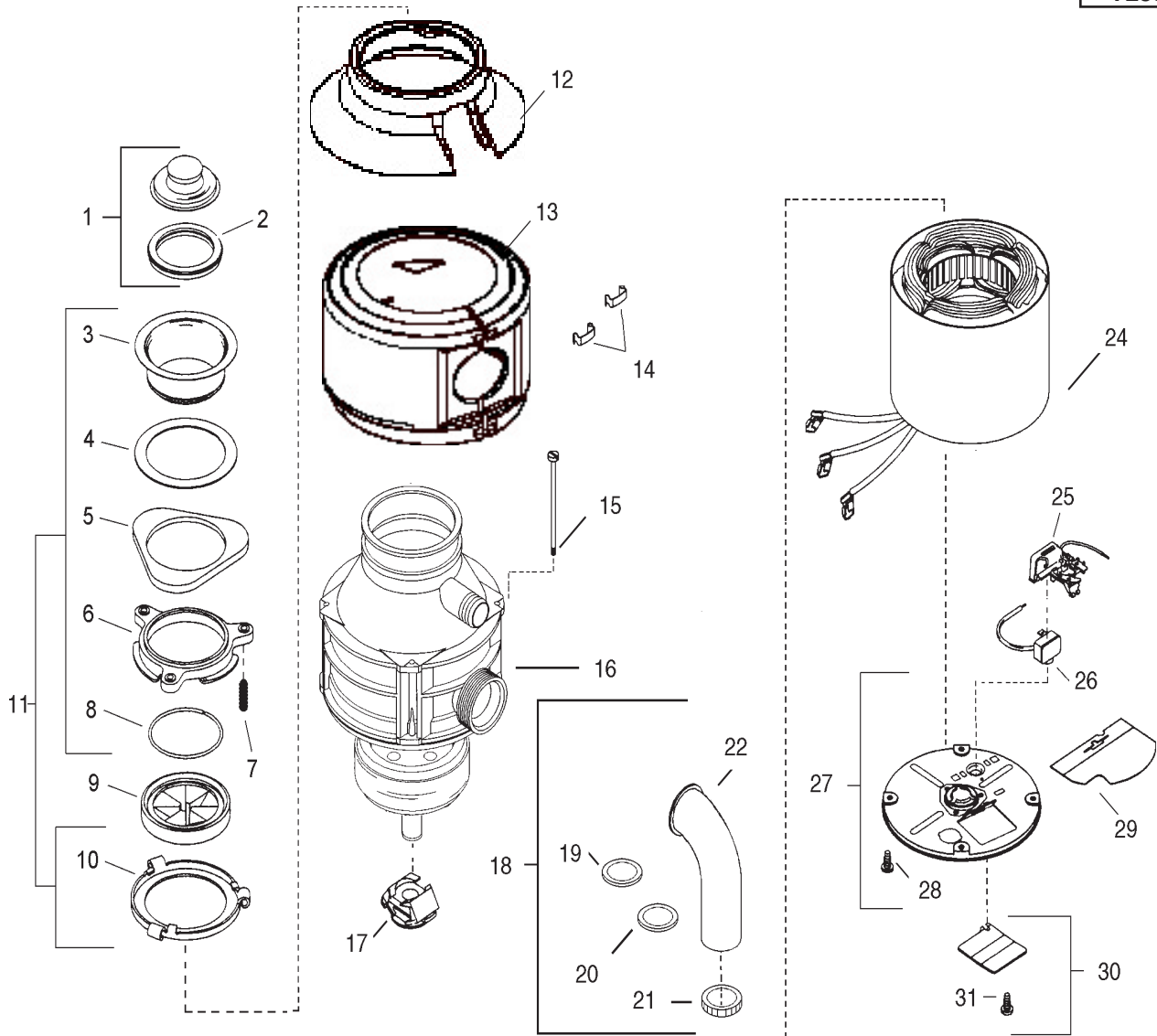
3/4 H.P.

Start Date:

12/99

Engineer Number:

72539



ORDER BY PART NUMBER, NOT CODE NUMBER

CODE NO.	PART NO.	NO. REQ.	DESCRIPTION	CODE NO.	PART NO.	NO. REQ.	DESCRIPTION
1	5032A	1	Stopper Assy (Incl. code 2)	17	2467	1	Centrifugal Actuator Assy
2	N/A	1	Gasket Stopper	18	72555	1	Kit, Installation (Incl. codes 19 - 23)
3	N/A	1	Flange, Strainer	19	N/A	1	Washer, Flanged
4	N/A	1	Seal, Sink Flange	20	N/A	1	Washer, Beveled
5	N/A	1	Flange, Backup	21	N/A	1	Nut, 1 - 1/2" Slip
6	N/A	1	Flange, Mounting	22	N/A	1	Tailpipe
7	N/A	3	Screw, Backup	23	4577	1	Wrench, Emergency (Not Shown)
8	N/A	1	Ring, Retaining	24	8629	1	Stator Assembly
9	70368	1	Gasket, Mounting	25	3706C	1	Switch Assembly, Start
10	N/A	1	Flange, Body	26	2267CH	1	Overload, Protector
11	3173EY	1	Mounting Assy (Incl. codes 3 - 8 & 10)	27	71875	1	End Frame Assy
12	72387	1	Trim Shell Cap	28	N/A	1	Ground Screw
13	72662	1	Trim Shell	29	4134	1	Shield, Wire
14	2037	2	Clip	30	72647A	1	Cover, Terminal Assy (Incl. Code 31)
15	72029A	4	Bolt, Thru	31	N/A	1	Screw, Terminal Cover
16	N/A	1	Enclosure Assembly (Not Available - Replace Unit)	32	72655	1	ICU Booklet (Not Shown)