

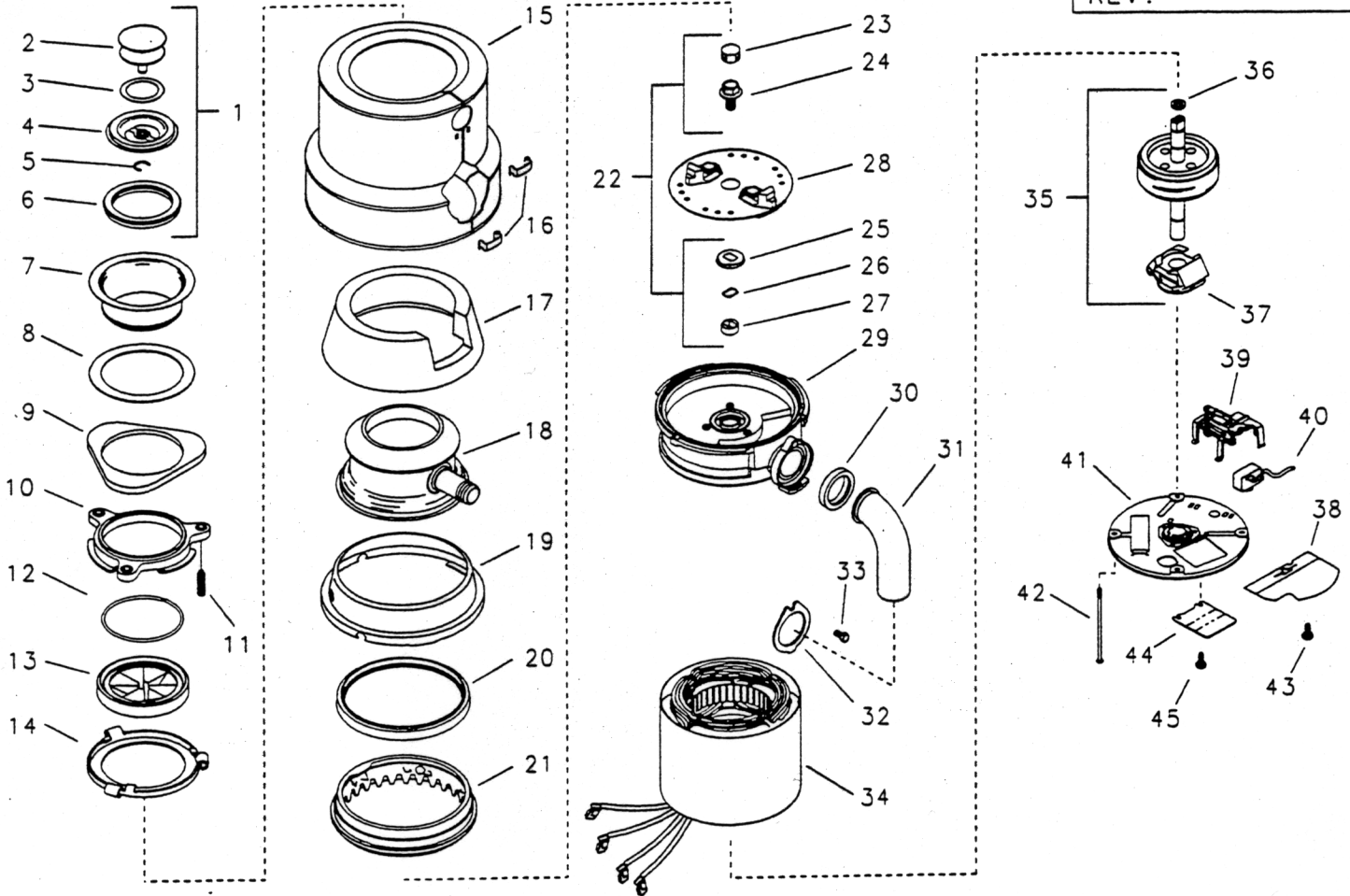
TRUE VALUE - MASTER PLUMBER

UL
MODEL MP-6000-3
 5 YR FULL WRNTY 120V/60HZ

3/4 H.P.

START DATE
 1-96
 ENGINEER NUMBER
 71396

REV:



ORDER BY PART NUMBER, NOT CODE NUMBER

CODE NO.	PART NO.	NO. REQ.	DESCRIPTION	CODE NO.	PART NO.	NO. REQ.	DESCRIPTION
1	1876	1	STOPPER ASSY (INCLUDES CODES 2-6)	31	8219	1	TAILPIPE
2	1875	1	HANDLE, STOPPER	32	5490	1	FLANGE, TAILPIPE
3	1144	1	GASKET, STOPPER (INNER)	33	1491	1	SCREW, TAILPIPE
4	5015-C	1	BODY, STOPPER	34	8628-D	1	STATOR ASSY
5	5045	1	RING, RETAINING	35	70423	1	SHAFT ASSY (INCLUDES CODES 36-37)
6	5029	1	GASKET, STOPPER (OUTER)	36	2642	1	WASHER
7	10025-D	1	FLANGE, STRAINER	37	2467	1	SWITCH, CENTRIFUGAL ACTUATOR
8	1160	1	GASKET, SINK FLANGE	38	4134	1	SHIELD, WIRE
9	5150-E	1	FLANGE, BACKUP	39	70360	1	SWITCH, START REVERSE
10	5141	1	FLANGE, MOUNTING	40	2267-CH	1	PROTECTOR, OVERLOAD
11	5147	3	SCREW, BACKUP	41	70424	1	LOWER ENDFRAME ASSY (INCLUDES CODE 43)
12	5166	1	RING, RETAINING	42	2486-A	2	BOLT, THRU
13	1010-A	1	GASKET, MOUNTING	43	2466-A	1	SCREW, GROUND
14	5298	1	FLANGE, BODY	44	71387	1	COVER, TERMINAL
15	3548-L	1	TRIM SHELL ASSY	45	70734	1	SCREW, TERMINAL COVER
16	2037	2	CLIP, TRIM SHELL	46	70031	1	INSTALLATION, CARE & USE BOOK (NOT SHOWN)
17	1221-A	1	INSULATION, TOP	47	2610-PK	1	INSTRUCTION ASSY (NOT SHOWN) (INCLUDES CODES 30-33 & 46)
18	3559-D	1	BODY CONTAINER ASSY (INCLUDES CODE 20)				
19	1225-D	1	RING, CLAMPING				
20	4395	1	GASKET, SHREDDER				
21	70814	1	ADAPTER ASSY, SHREDDER				
22	70647	1	SLEEVE & SEAL KIT (INCLUDES CODES 23-27)				
23	2854	1	PLUG				
24	N/A	1	BOLT, HEX HEAD FLANGE				
25	N/A	1	SLINGER				
26	N/A	1	SEAL				
27	N/A	1	SLEEVE				
28	71022	1	ROTATING SHREDDER ASSY				
29	9209-D	1	UPPER ENDBELL ASSY				
30	1470	1	GASKET, TAILPIPE				