

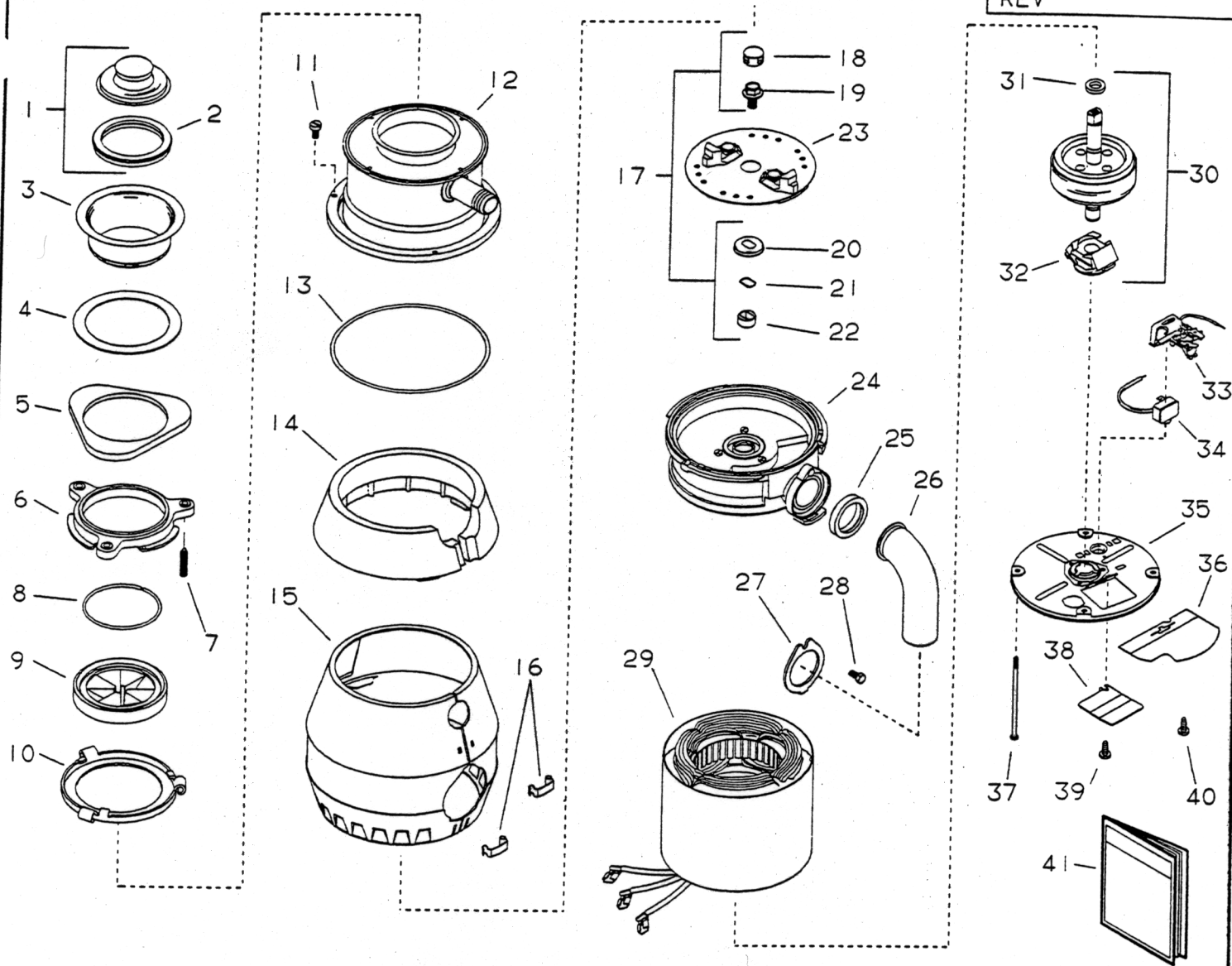
CROSLEY

UL
MODEL MP-5000-1

115v/60Hz.

START DATE
 01-18-93
 ENGINEER NUMBER
 70576

REV



ORDER BY PART NUMBER, NOT CODE NUMBER

CODE NO.	PART NO.	NO. REQ.	DESCRIPTION	CODE NO.	PART NO.	NO. REQ.	DESCRIPTION
1	5032-A	1	STOPPER ASSEMBLY (INCLUDES CODE 2)	23	8581	1	ROTATING SHREDDER ASSEMBLY
2	5029	1	GASKET, STOPPER	24	9209-D	1	UPPER ENDBELL ASSEMBLY
3	5170-AG	1	FLANGE, STRAINER	25	1470	1	GASKET, TAILPIPE
4	1160	1	SEAL, SINK FLANGE	26	8219	1	TAILPIPE
5	5150-E	1	FLANGE, BACKUP	27	5490	1	FLANGE, TAILPIPE
6	5141	1	FLANGE, MOUNTING	28	1491	1	SCREW, TAILPIPE
7	5147	3	SCREW, BACKUP	29	3255-U	1	STATOR ASSEMBLY
8	5166	1	RING, RETAINING	30	70486-B	1	SHAFT ASSEMBLY (INCLUDES CODES 31 & 32)
9	1010-A	1	GASKET, MOUNTING	31	2642	1	WASHER, RUBBER
10	5298	1	FLANGE, BODY	32	2467	1	CENTRIFUGAL ACTUATOR ASSEMBLY
11	2439	3	SCREW, TAPPING	33	3706-C	1	START SWITCH ASSEMBLY
12	9873	1	BODY CONTAINER ASSEMBLY	34	2267-BY	1	PROTECTOR, OVERLOAD
13	2539	1	O-RING	35	9901	1	LOWER ENDFRAME ASSEMBLY (INCLUDES CODE 40)
14	4681	1	INSULATION, TOP	36	4134	1	SHIELD, WIRE
15	8966-G	1	TRIM SHELL ASSEMBLY (INCLUDES CODE 16)	37	2486-A	4	BOLT, THRU
16	2037	2	CLIP, TRIM SHELL	38	3584	1	COVER, TERMINAL
17	70647	1	SLEEVE & SEAL KIT (INCLUDES CODES 18 THRU 22)	39	11448	1	SCREW, TERMINAL COVER
18	2854	1	PLUG	40	2466-A	1	SCREW, GROUND
19	N/A	1	BOLT, HEX HEAD FLANGE	41	70031	1	USE & CARE BOOKLET
20	N/A	1	SLINGER		2610-JS	1	INSTRUCTION ASSEMBLY (NOT SHOWN) (INCLUDES CODES 25 THRU 28 & 41)
21	N/A	1	SEAL				
22	N/A	1	SLEEVE				