

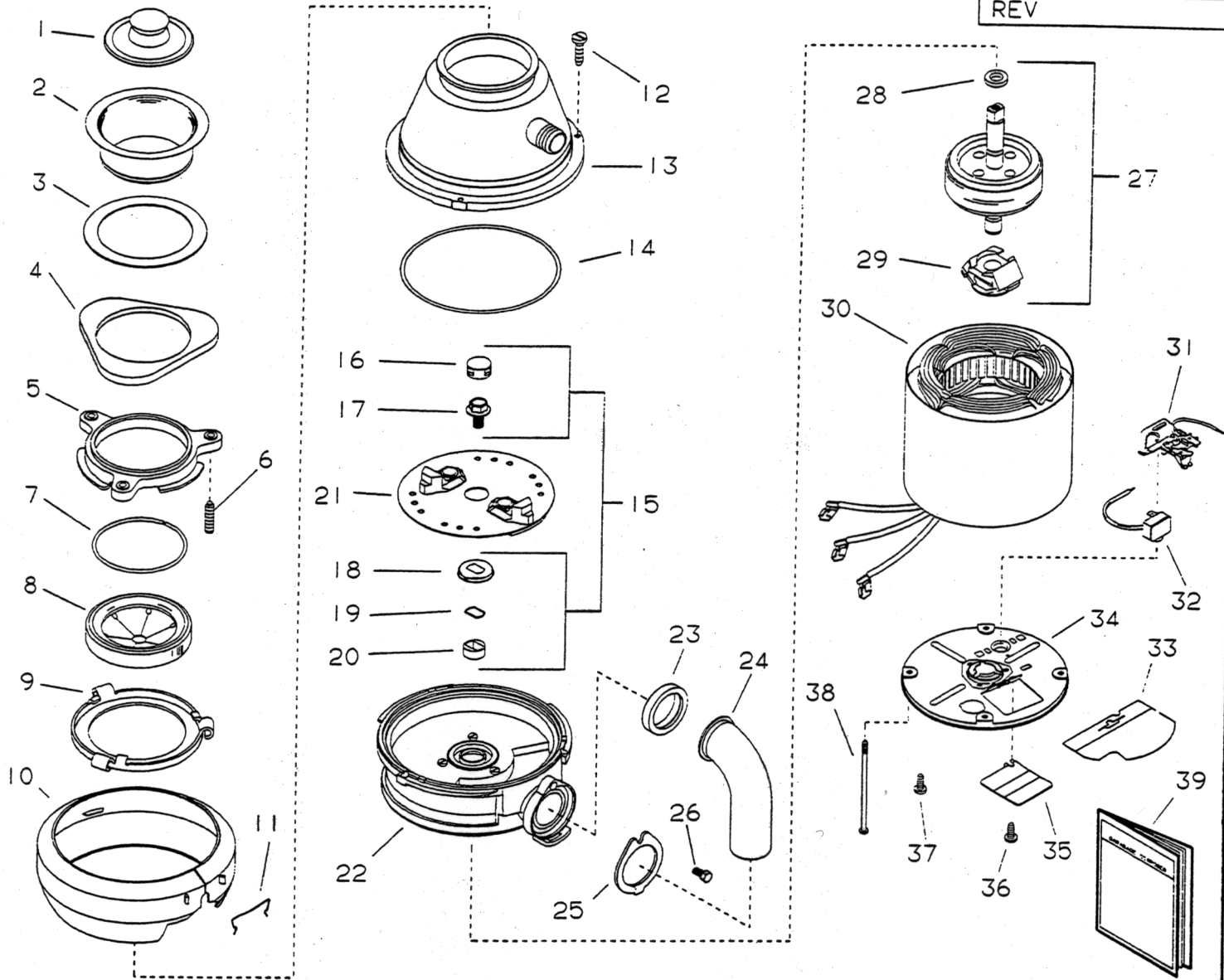
CROSLEY

MODEL MP-4000-1

115V/60Hz.

UL
 START DATE
 01-18-93
 ENGINEER NUMBER
 70575

REV



ORDER BY PART NUMBER, NOT CODE NUMBER

CODE NO.	PART NO.	NO. REQ.	DESCRIPTION	CODE NO.	PART NO.	NO. REQ.	DESCRIPTION
1	4310	1	STOPPER ASSEMBLY	22	9209-D	1	UPPER ENDBELL ASSEMBLY
2	5170-AG	1	FLANGE, STRAINER	23	1470	1	GASKET, TAILPIPE
3	1160	1	SEAL, SINK FLANGE	24	8219	1	TAILPIPE
4	5150-E	1	FLANGE, BACKUP	25	5490	1	FLANGE, TAILPIPE
5	5141	1	FLANGE, MOUNTING	26	1491	1	SCREW, TAILPIPE
6	5147	3	SCREW, BACKUP	27	70486-B	1	SHAFT ASSEMBLY (INCLUDES CODES 28 & 29)
7	5166	1	RING, RETAINING	28	2642	1	WASHER, RUBBER
8	1439	1	GASKET, MOUNTING	29	2467	1	CENTRIFUGAL ACTUATOR ASSEMBLY
9	5298	1	FLANGE, BODY	30	3255-U	1	STATOR ASSEMBLY
10	8839-E	1	TRIM SHELL ASSEMBLY	31	3706-C	1	START SWITCH ASSEMBLY
11	5284	1	CLIP, TRIM SHELL	32	2267-BY	1	PROTECTOR, OVERLOAD
12	2439	3	SCREW, TAPPING	33	4134	1	SHIELD, WIRE
13	9262-G	1	BODY CONTAINER ASSEMBLY	34	9901	1	LOWER ENDFRAME ASSEMBLY (INCLUDES CODE 37)
14	1473	1	O-RING	35	3584	1	COVER, TERMINAL
15	70647	1	SLEEVE & SEAL KIT (INCLUDES CODES 16 THRU 20)	36	11448	1	SCREW, TERMINAL COVER
6	2854	1	PLUG	37	2466-A	1	SCREW, GROUND
7	N/A	1	BOLT, HEX HEAD FLANGE	38	2486-A	4	BOLT, THRU
18	N/A	1	SLINGER	39	70031	1	USE & CARE BOOKLET
19	N/A	1	SEAL		2610-JS	1	INSTRUCTION ASSEMBLY (NOT SHOWN) (INCLUDES CODES 23 THRU 26 & 39)
20	N/A	1	SLEEVE				
21	8581	1	ROTATING SHREDDER ASSEMBLY				