

CROSLEY

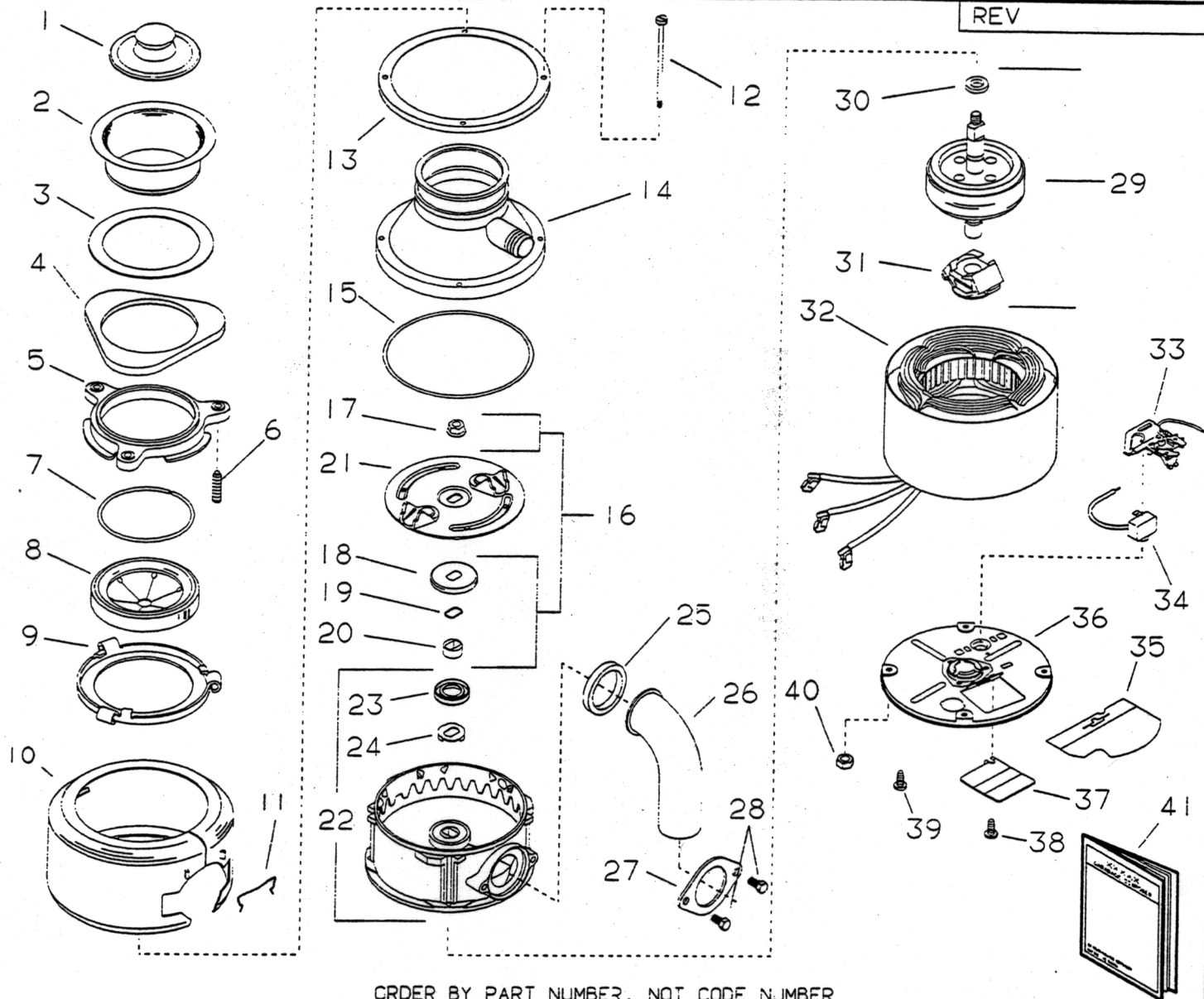
MODEL MP-3000

115v/60Hz.

START DATE
6/4/90

ENGINEER NUMBER
70032

REV



ORDER BY PART NUMBER. NOT CODE NUMBER

CODE NO.	PART NO.	NO. REQ.	DESCRIPTION	CODE NO.	PART NO.	NO. REQ.	DESCRIPTION
1	43 0	1	STOPPER ASSEMBLY	24	2292	1	WASHER, THRUST
2	5:70-AG	1	FLANGE, STRAINER	25	2592	1	GASKET, TAILPIPE
3	60	1	SEAL, SINK FLANGE	26	8219	1	TAILPIPE
4	5:50-E	1	FLANGE, BACKUP	27	2593-A	1	FLANGE, TAILPIPE
5	5:41	1	FLANGE, MOUNTING	28	1468	2	SCREW, TAILPIPE
6	5:47	3	SCREW, BACKUP	29	4071-B	1	ROTOR & SHAFT ASSEMBLY (INCLUDES CODES 30 & 31)
7	5:66	1	RING, RETAINING	30	2642	1	WASHER
8	439	1	GASKET, MOUNTING	3	2467	1	CENTRIFUGAL ACTUATOR ASSEMBLY
9	5298	1	FLANGE, BODY	32	4068-L	1	STATOR ASSEMBLY
10	8792-D	1	TRIM SHELL ASM.	33	3706	1	SWITCH ASSEMBLY, START
11	5284	1	CLIP, TRIM SHELL	34	2267-AH	1	OVERLOAD, PROTECTOR
12	8032	4	NUT, HEX	35	3622	1	SHIELD, WIRE
13	9206-D	1	CLAMPING RING	36	3463	1	END FRAME ASSEMBLY, LOWER (INCLUDES CODE 39)
14	9068-D	1	CONTAINER BODY	37	3584	1	COVER, TERMINAL
15	473	1	O-RING	38	11448	1	SCREW, TERMINAL COVER
16	8583	1	SLEEVE & SEAL KIT (INCLUDES CODES 17 THRU 20)	39	2466-A	1	SCREW, GROUND
17		1	NUT, FLANGE	40	9121	4	BCLT, THRU
18		1	SLINGER	4	7003	1	USE & CARE BOOKLET
19		1	SEAL		2638-BE	1	INSTRUCTION ASSEMBLY (NOT SHOWN) (INCLUDES CODES 25 THRU 28)
20		1	SLEEVE				
21	32 6-B	1	SHREDDER ASSEMBLY, ROTATING				
22	8492-N	1	END BELL ASSEMBLY, UPPER (INCLUDES CODES 23 & 24)				
23	4250	1	SEAL WATER & OIL				