

CROSLEY

HOUSEHOLD DISPOSER (UL)

MODEL MP - 3000 - 1

2 Year Full Warranty

120V / 60Hz

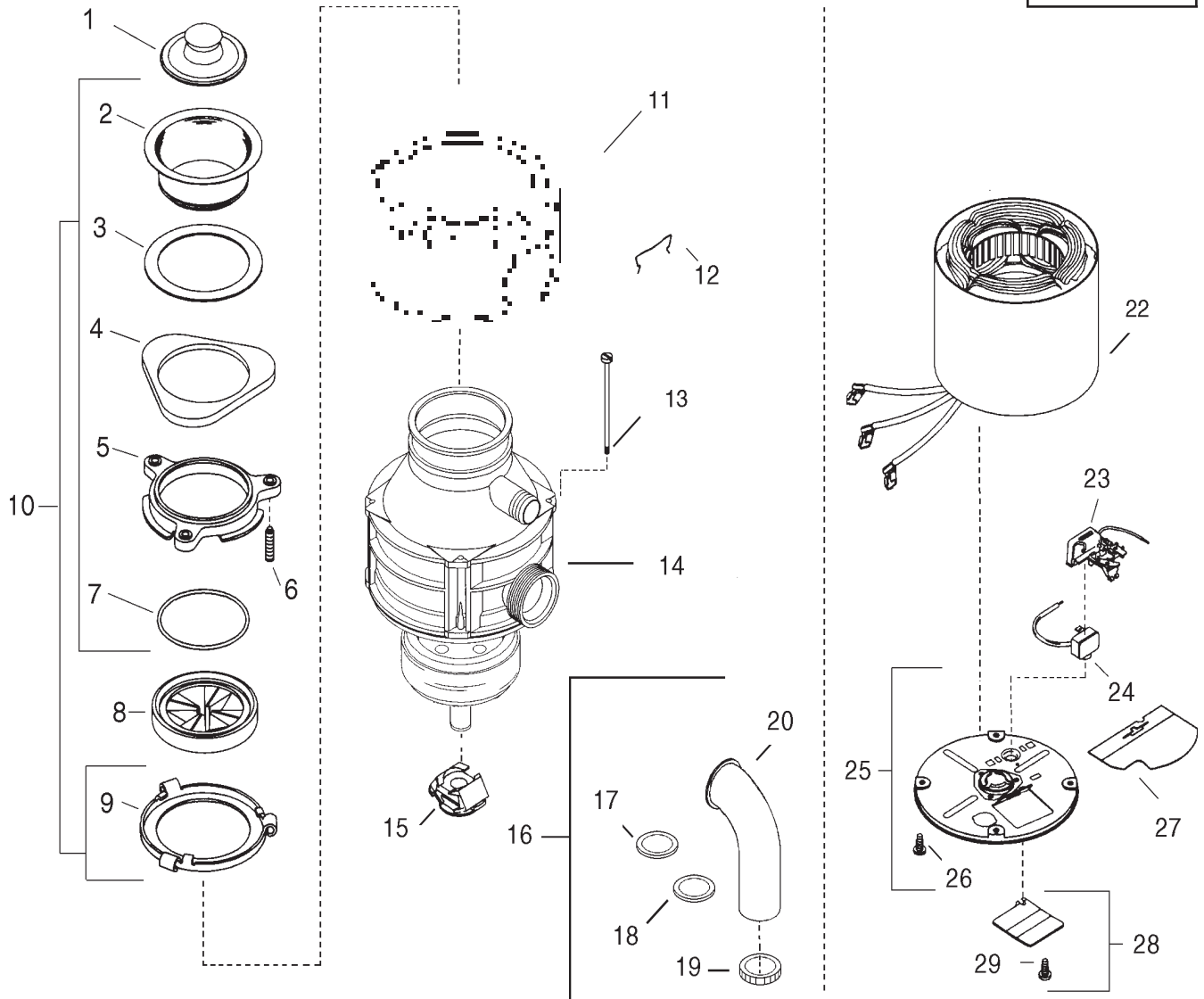
1/3 H.P.

Start Date:

10/99

Engineer Number:

72410



ORDER BY PART NUMBER, NOT CODE NUMBER

CODE NO.	PART NO.	NO. REQ.	DESCRIPTION	CODE NO.	PART NO.	NO. REQ.	DESCRIPTION
1	4310	1	Stopper Assembly	17	N/A	1	Washer, Flanged
2	N/A	1	Flange, Strainer	18	N/A	1	Washer, Beveled
3	N/A	1	Seal, Sink Flange	19	N/A	1	Nut, 1 - 1/2" Slip
4	N/A	1	Flange, Backup	20	N/A	1	Tailpipe
5	N/A	1	Flange, Mounting	21	4577	1	Wrench, Emergency (Not Shown)
6	N/A	3	Screw, Backup	22	4068L	1	Stator Assembly
7	N/A	1	Ring, Retaining	23	3706C	1	Switch Assembly, Start
8	70368	1	Gasket, Mounting	24	2267BY	1	Overload, Protector
9	N/A	1	Flange, Body	25	71875	1	End Frame Assembly (Includes Code 26)
10	3173EX	1	Mounting Assy (Incl. Codes 2-7 & 8)	26	N/A	1	Screw, Ground
11	72398	1	Trim Shell	27	3622	1	Shield, Wire
12	72636	1	Clip, Trim Band	28	72647A	1	Cover, Terminal Assy (Incl. Code 29)
13	72029	4	Bolt, Thru	29	N/A	1	Screw, Terminal Cover
14	N/A	1	Enclosure Assembly (Not Available - Replace Unit)	30	72423	1	ICU Booklet (Not Shown)
15	2467	1	Centrifugal Actuator Assy				
16	72555	1	Kit, Installation (Includes codes 16 - 21)				