

CROSLEY

1 Full Year Warranty

HOUSEHOLD DIPOSER (UL) MODEL MP 2000 -1

115V / 60Hz

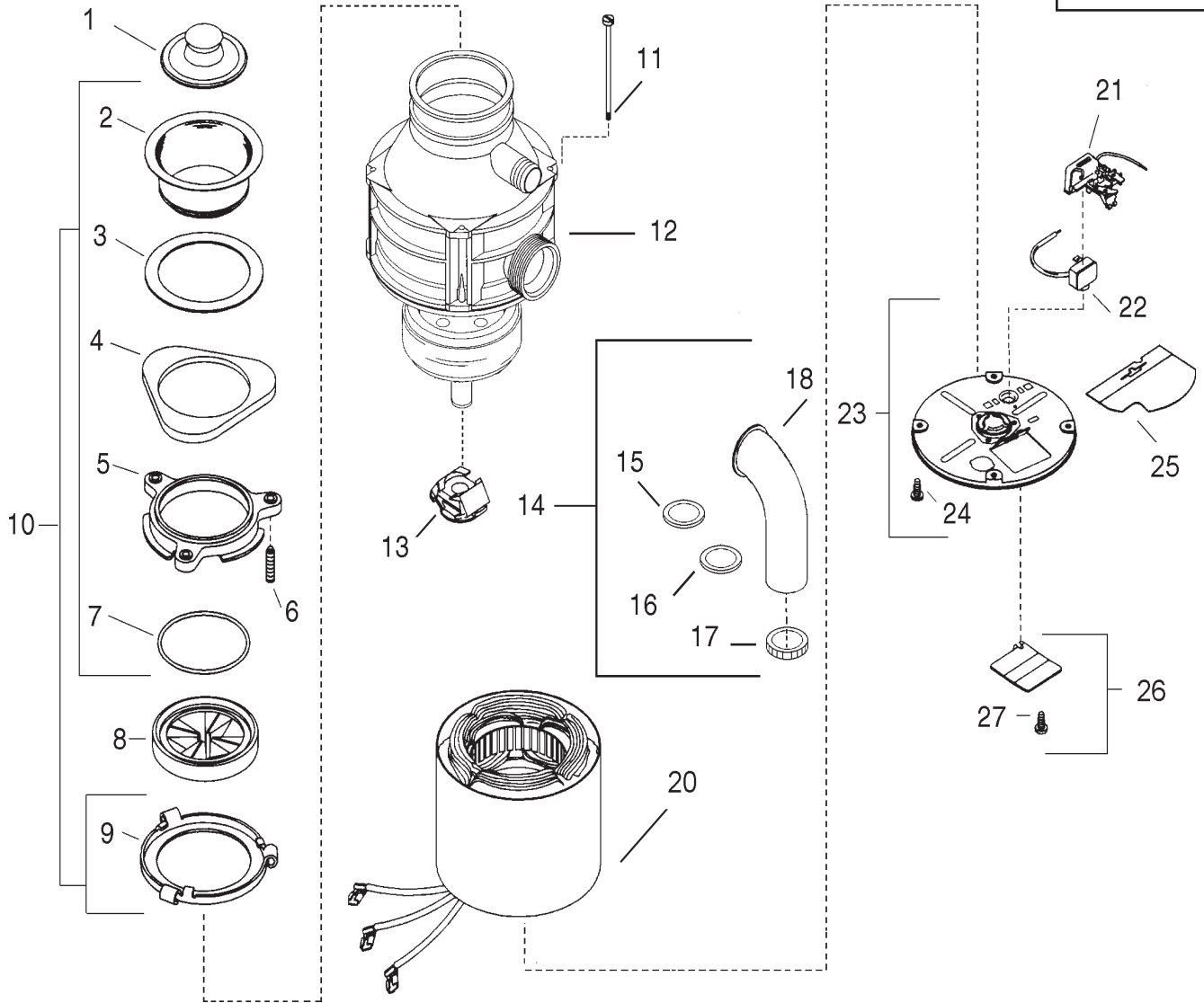
1/3 H.P.

Start Date:

10/99

Engineer Number:

72408



ORDER BY PART NUMBER, NOT CODE NUMBER

CODE NO.	PART NO.	NO. REQ.	DESCRIPTION	CODE NO.	PART NO.	NO. REQ.	DESCRIPTION
1	4310	1	Stopper Assembly	16	N/A	1	Washer, Beveled
2	N/A	1	Flange, Strainer	17	N/A	1	Nut, 1 - 1/2" Slip
3	N/A	1	Seal, Sink Flange	18	N/A	1	Tailpipe
4	N/A	1	Flange, Backup	19	4577	1	Wrench, Emergency (Not Shown)
5	N/A	1	Flange, Mounting	20	4068L	1	Stator Assembly
6	N/A	3	Screw, Backup	21	3706C	1	Switch Assembly, Start
7	N/A	1	Ring, Retaining	22	2267BY	1	Overload, Protector
8	70368	1	Gasket, Mounting	23	71875	1	End Frame Assy (Includes Code 24)
9	N/A	1	Flange, Body	24	N/A	1	Ground Screw
10	3173EX	1	Mounting Assy (Incl. codes 2 - 7 & 9)	25	3622	1	Shield, Wire
11	72029	4	Bolt, Thru	26	72647A	1	Cover, Terminal Assy (Incl. Code 27)
12	N/A	1	Enclosure Assembly (Not Available - Replace Unit)	27	N/A	1	Screw, Terminal Cover
13	2467	1	Centrifugal Actuator Assy	28	72139	1	ICU Booklet (Not Shown)
14	72555	1	Kit, Installation (Incl. codes 15 - 19)				
15	N/A	1	Washer, Flanged				