

KITCHENAID

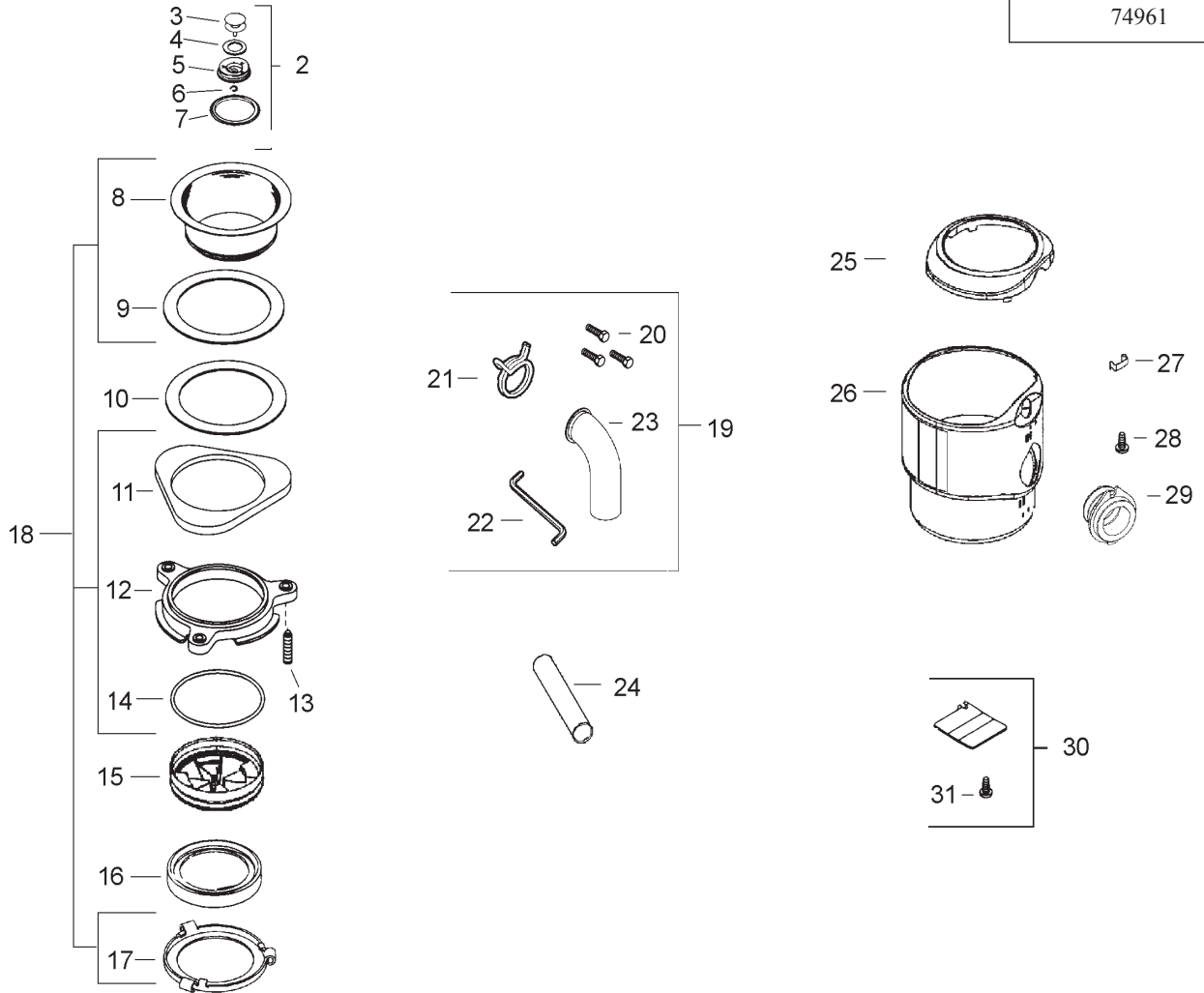
KCDS100T0

UL/CSA

HP/Volts/Hertz:
1 HP 120V 60 HZ

Production Date:
6/07

Engineer Number:
74961



ORDER BY PART NUMBER, NOT CODE NUMBER

CODE NO.	PART NO.	NO. REQ.	DESCRIPTION	CODE NO.	PART NO.	NO. REQ.	DESCRIPTION
1	74552JZZ	1	Installation/Accessory Box (Includes codes 2-24)	19	2610WJ	1	Installation Kit (Includes codes 20-23)
2	1876	1	Stopper Assembly (Includes codes 3 - 7)	20	N/A	1	Kit (3 screws)
3	N/A	1	Handle	21	74701	1	Spring Clamp
4	1144	1	Inner Gasket	22	4577	1	Wrench
5	N/A	1	Body Gasket	23	N/A	1	Tailpipe
6	N/A	1	Retaining Ring	24	74012	1	12" Discharge Tube
7	5029	1	Outer Gasket	25	71952	1	Trim Shell Cap
8	10025C	1	Sink Flange	26	74962ZZ	1	Trim Shell
9	1160	1	Fiber Gasket	27	73449	1	Clip
10	8763	2	Sink Flange Seal	28	74129	1	Screw
11	5150E	1	Backup Flange	29	74085	1	Flex Coupler
12	5141	1	Mounting Flange	30	72647A	1	Terminal Cover Assembly (Includes code 31)
13	73258	3	Backup Screw	31	N/A	1	Screw
14	5166	1	Snap Ring	32	74966	1	Installation, Care & Use Manual (Not Shown)
15	74681	1	Removeable Baffle				
16	74054	1	Mounting Gasket				
17	5298	1	Body Flange				
18	3173HW	1	Mounting Assembly (Includes Codes 8, 9, 11-14 & 17)				