



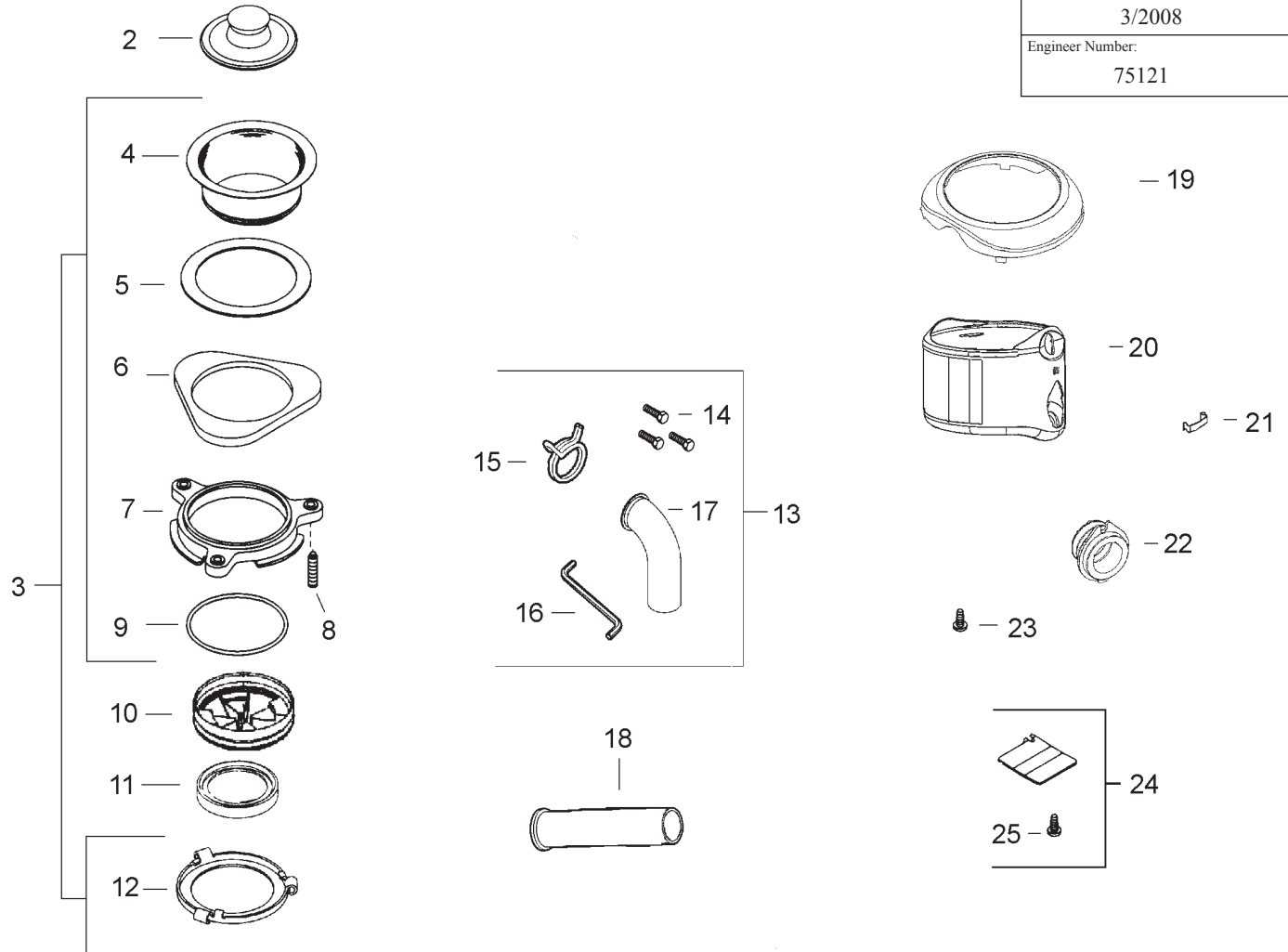
E606  
UL

Warranty:  
5 Year Warranty

HP/Volts/Hertz:  
3/4 HP 120V 60 HZ

Production Date:  
3/2008

Engineer Number:  
75121



**ORDER BY PART NUMBER, NOT CODE NUMBER**

CODE NO.	PART NO.	NO. REQ.	DESCRIPTION	CODE NO.	PART NO.	NO. REQ.	DESCRIPTION
1	74552KZZ	1	Installation/Accessory Box (Includes codes 2 - 18)	19	75131	1	Trim Shell Cap
2	05032A	1	Stopper Assembly	20	75123ZZ	1	Trim Shell
3	03173EY	1	Mounting Assembly (Includes Codes 4-9 & 12)	21	73449	1	Clip
4	10025D	1	Sink Flange	22	74085	1	Flex Coupler
5	01160	1	Fiber Gasket	23	74129	1	Screw
6	05150E	1	Backup Flange	24	72647A	1	Terminal Cover Assembly (Includes code 25)
7	05141	1	Mounting Flange	25	N/A	1	Screw
8	73258	3	Backup Screws	26	75125	1	Installation, Care & Use Manual (Not Shown)
9	05166	1	Snap Ring				
10	74021	1	Sink Baffle				
11	74054	1	Mounting Gasket				
12	05298	1	Body Flange				
13	02610WJ	1	Installation Kit (Includes codes 14 - 17)				
14	N/A	1	Kit (3 screws)				
15	74701	1	Spring Clamp				
16	04577	1	Wrench				
17	N/A	1	Tailpipe				
18	74012	1	12" Discharge Tube				