

EMERSON

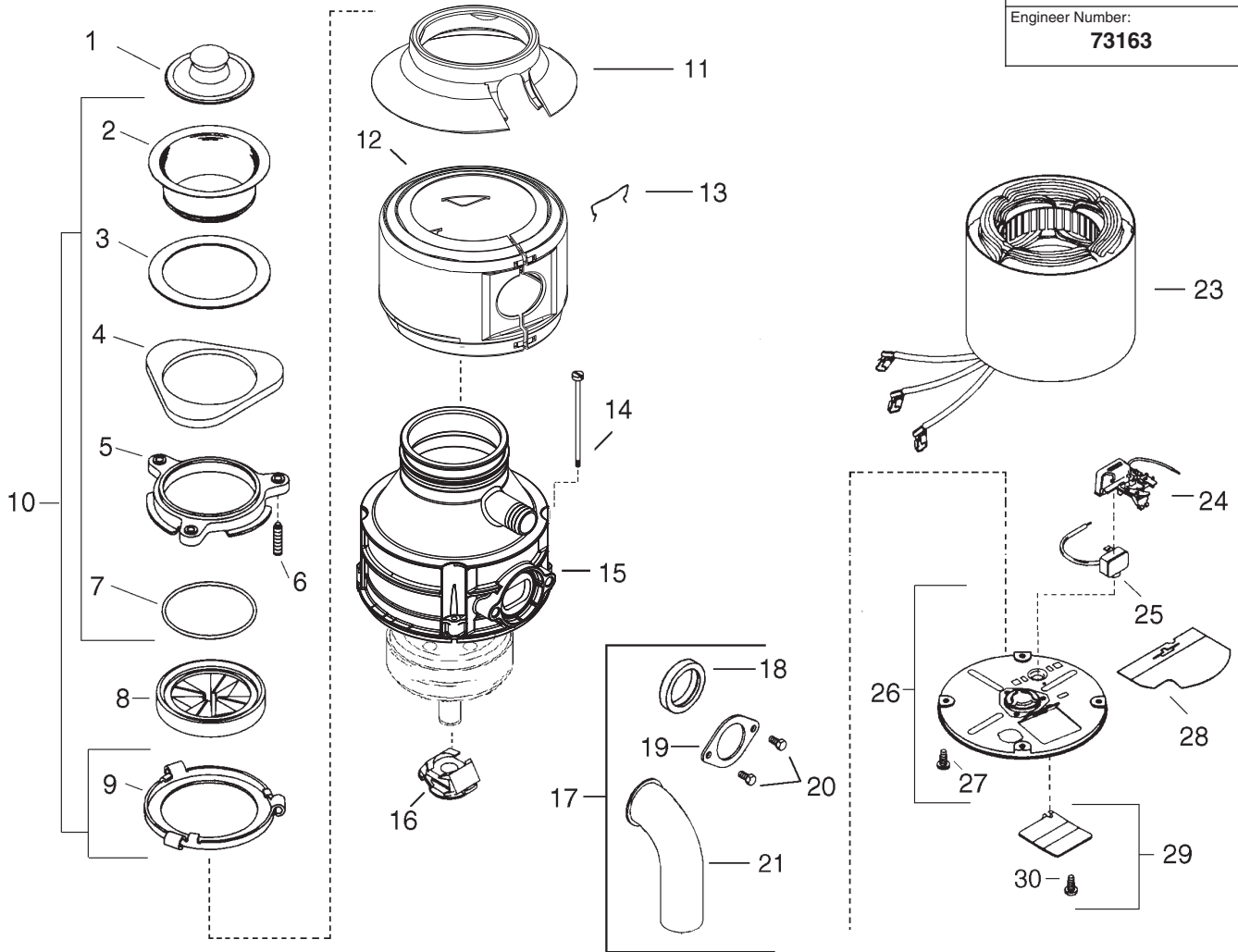
E505-1

Warranty:
1 Year Full Warranty

hp/Volts/Hertz:
3/4 hp - 120V/60 Hz

Production Date:
03/25/03

Engineer Number:
73163



ORDER BY PART NUMBER, NOT CODE NUMBER

CODE NO.	PART NO.	NO. REQ.	DESCRIPTION	CODE NO.	PART NO.	NO. REQ.	DESCRIPTION
1	4310	1	Stopper Assembly	17	73130	1	Installation Kit
2	N/A	1	Sink Flange				(Includes codes 18-22)
3	N/A	1	Fiber Gasket	18	N/A	1	Tailpipe Gasket
4	N/A	1	Backup Ring	19	N/A	1	Tailpipe Flange
5	N/A	1	Mounting Ring	20	N/A	2	Screw
6	N/A	3	Screw	21	N/A	1	Tailpipe
7	N/A	1	Snap Ring	22	4577	1	Service Wrenchette
8	70368	1	Mounting Gasket				(Not Shown)
9	N/A	1	Body Flange	23	8629Y	1	Stator Assembly
10	3173EX	1	Mounting Assy	24	3706C	1	Start Switch Assembly
			(Includes codes 2 - 7 & 9)	25	2267DBZZ	1	Overload Protector
11	72892	1	Trim Shell Cap	26	71875D	1	End Frame Assy
12	73253ZZ	1	Trim Shell				(Includes code 27)
13	73449	2	Clip	27	N/A	1	Ground Screw
14	73193A	4	Thru Bolt	28	4134	1	Wire Shield
15	N/A	1	Enclosure Assembly	29	72647A	1	Terminal Cover Assy
			(Not Available - Replace Unit)				(Includes code 30)
16	2467	1	Centrifugal Actuator Assy	30	N/A	1	Terminal Cover Screw
				31	73107	1	Installation Care & Use
							(Not Shown)