

EMERSON

HOUSEHOLD DIPOSER (UL)

MODEL E303

3 Year Full Warranty

120V / 60Hz

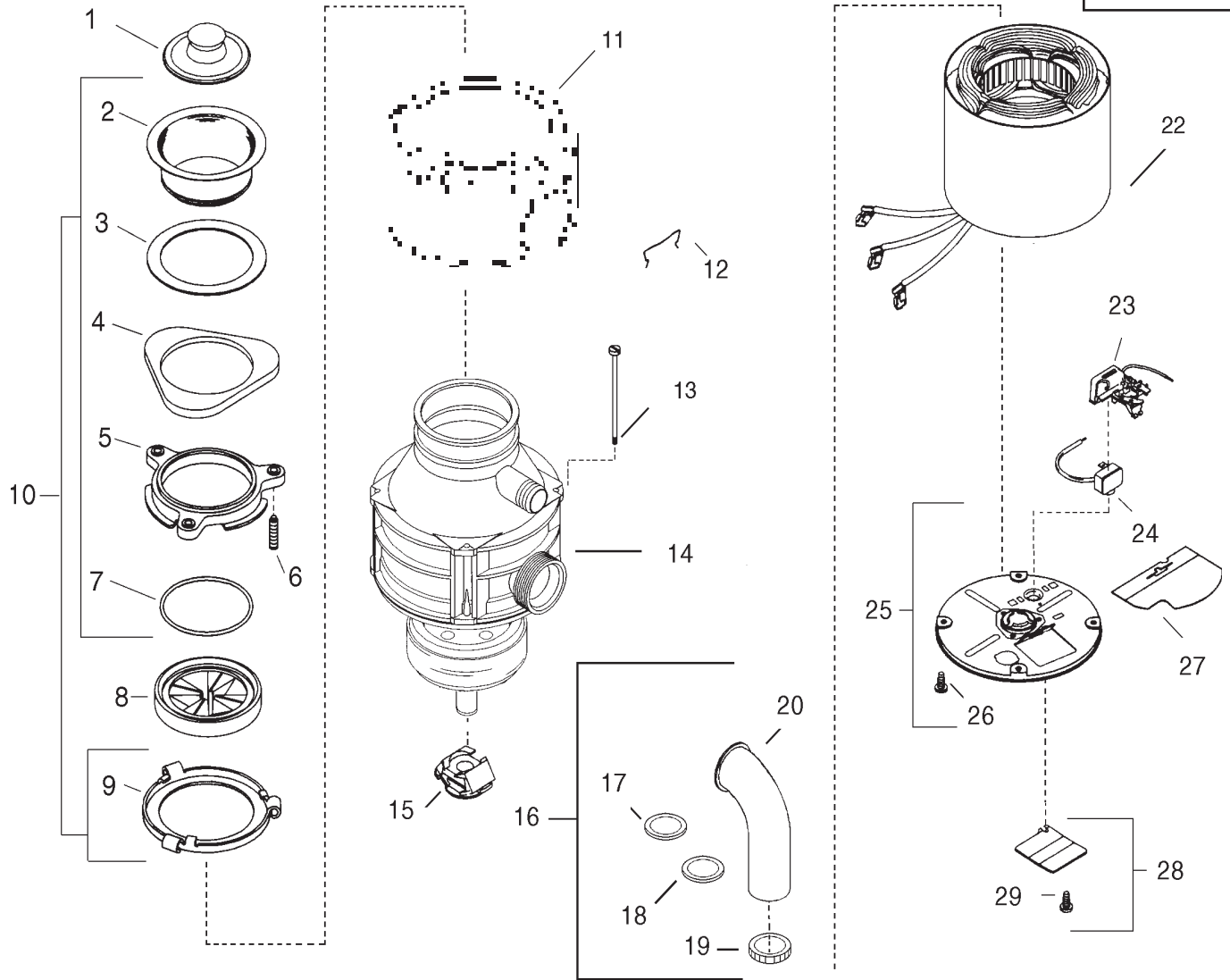
5/8 H.P.

Start Date:

10/99

Engineer Number:

72528



ORDER BY PART NUMBER, NOT CODE NUMBER

CODE NO.	PART NO.	NO. REQ.	DESCRIPTION	CODE NO.	PART NO.	NO. REQ.	DESCRIPTION
1	4310	1	Stopper Assembly	16	72555	1	Kit, Installation (Incl. codes 17 - 21)
2	N/A	1	Flange, Strainer	17	N/A	1	Washer, Flanged
3	N/A	1	Seal, Sink Flange	18	N/A	1	Washer, Beveled
4	N/A	1	Flange, Backup	19	N/A	1	Nut, 1 - 1/2" Slip
5	N/A	1	Flange, Mounting	20	N/A	1	Tailpipe
6	N/A	3	Screw, Backup	21	4577	1	Wrench, Emergency (Not Shown)
7	N/A	1	Ring, Retaining	22	9263	1	Stator Assembly
8	70368	1	Gasket, Mounting	23	3706C	1	Switch Assembly, Start
9	N/A	1	Flange, Body	24	2267CH	1	Overload, Protector
10	3173DP	1	Mounting Assy (Incl. codes 2 - 7 & 9)	25	71875	1	End Frame Assy (Includes Code 26)
11	72398D	1	Trim Shell	26	N/A	1	Ground Screw
12	72636	1	Clip	27	4134	1	Shield, Wire
13	72029A	4	Bolt, Thru	28	72647A	1	Cover, Terminal Assy (Incl. Code 29)
14	N/A	1	Enclosure Assembly (Not Available - Replace Unit)	29	N/A	1	Screw, Terminal Cover
15	2467	1	Centrifugal Actuator Assy	30	72544	1	ICU Booklet (Not Shown)