

# EMERSON

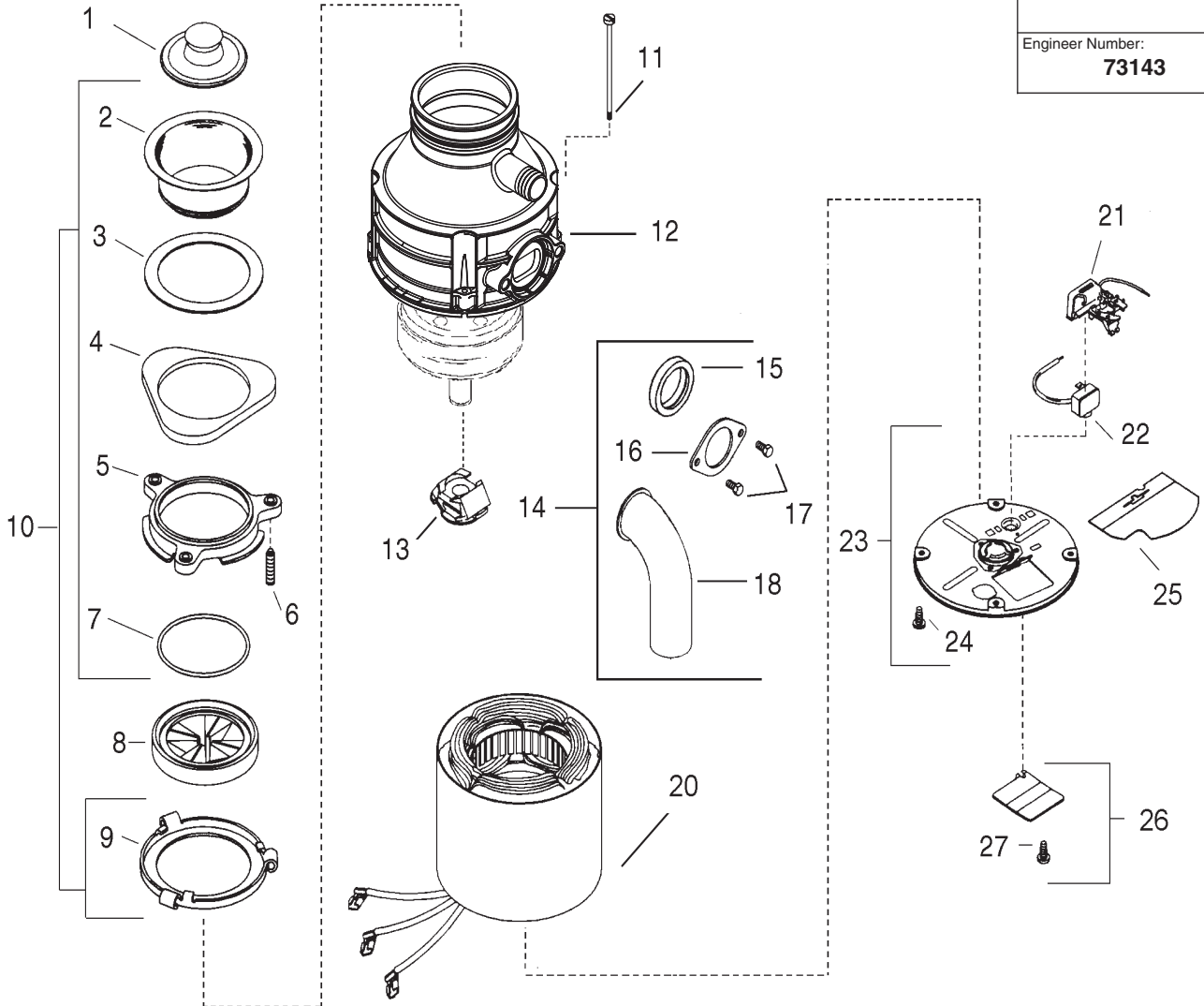
## E202-1

Warranty:  
**1 Year Full Warranty**

hp/Volts/Hertz:  
**1/2 hp - 120V/60 Hz**

Production Date:

Engineer Number:  
**73143**



### ORDER BY PART NUMBER, NOT CODE NUMBER

CODE NO.	PART NO.	NO. REQ.	DESCRIPTION	CODE NO.	PART NO.	NO. REQ.	DESCRIPTION
1	4310	1	Stopper Assembly	16	N/A	1	Tailpipe Flange
2	N/A	1	Sink Flange	17	N/A	2	Screw
3	N/A	1	Fiber Gasket	18	N/A	1	Tailpipe
4	N/A	1	Backup Ring	19	4577	1	Service Wrenchette (Not Shown)
5	N/A	1	Mounting Ring	20	9193	1	Stator Assembly
6	N/A	3	Screw	21	3706C	1	Start Switch Assembly
7	N/A	1	Snap Ring	22	2267BYZZ	1	Overload Protector
8	70368	1	Mounting Gasket	23	71875D	1	End Frame Assy (Includes Code 24)
9	N/A	1	Body Flange	24	N/A	1	Ground Screw
10	3173EX	1	Mounting Assy (Incl. codes 2 - 7 & 9)	25	3622	1	Wire Shield
11	73193	4	Thru Bolt	26	72647A	1	Terminal Cover Assy (Incl. Code 27)
12	N/A	1	Enclosure Assembly (Not Available - Replace Unit)	27	N/A	1	Terminal Cover Screw
13	2467	1	Centrifugal Actuator Assy	28	73107	1	Installation Care & Use (Not Shown)
14	73130	1	Installation Kit (Incl. codes 15-19)				
15	N/A	1	Tailpipe Gasket				