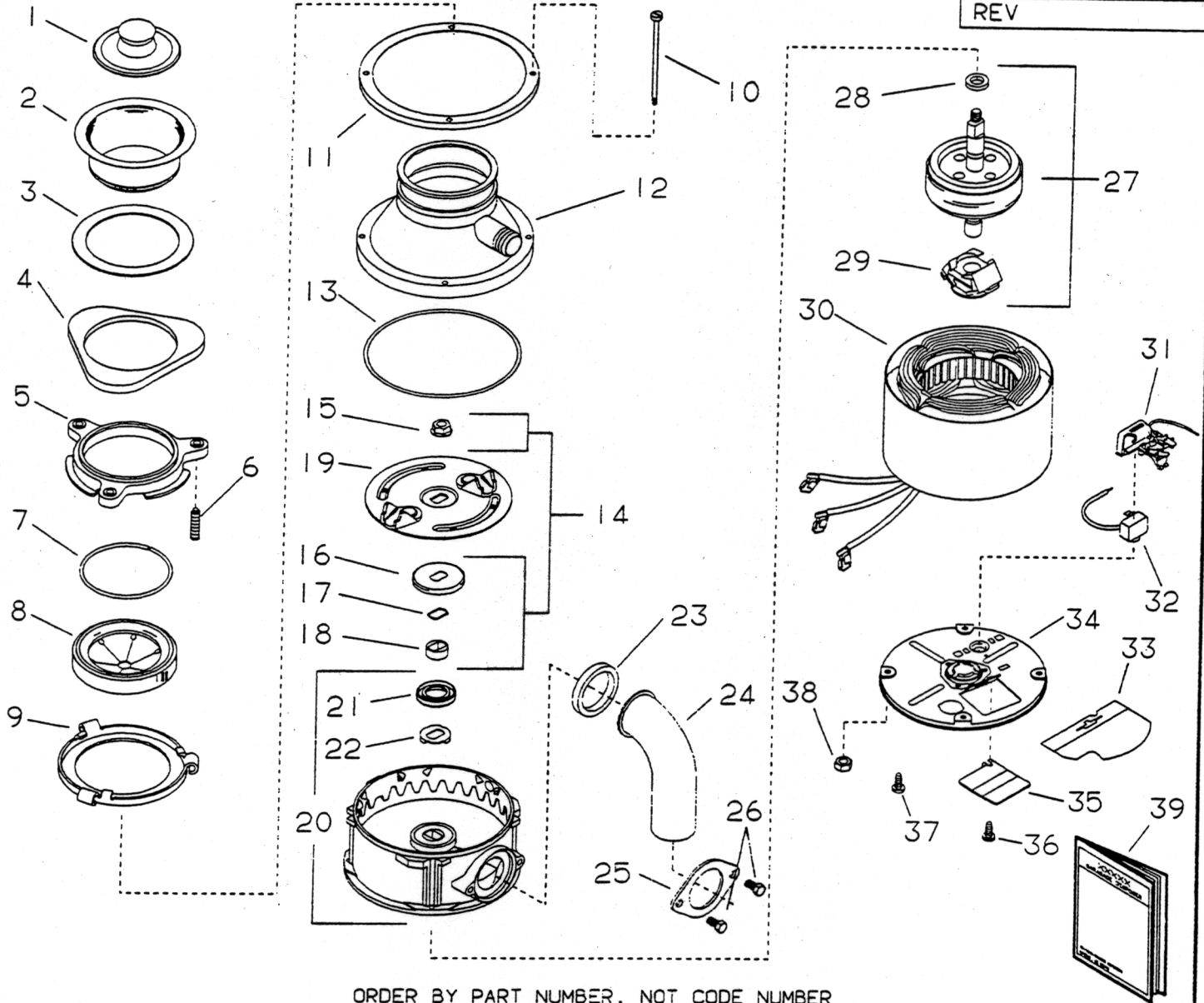


# EMERSON

## MODEL E10-7

115v/60Hz.

U.S.A.  
 START DATE  
 4/90  
 ENGINEER NUMBER  
 70058



ORDER BY PART NUMBER, NOT CODE NUMBER

CODE NO.	PART NO.	NO. REQ.	DESCRIPTION	CODE NO.	PART NO.	NO. REQ.	DESCRIPTION
1	4310	1	STOPPER ASSEMBLY	23	2592	1	GASKET, TAILPIPE
2	5170-AD	1	FLANGE, STRAINER	24	8219	1	TAILPIPE
3	1160	1	SEAL, SINK FLANGE	25	2593-A	1	FLANGE, TAILPIPE
4	5150-E	1	FLANGE, BACKUP	26	1468	2	SCREW, TAILPIPE
5	5141	1	FLANGE, MOUNTING	27	4071-B	1	ROTOR & SHAFT ASSEMBLY (INCLUDES CODES 28 & 29)
6	5147	3	SCREW, BACKUP	28	2642	1	WASHER
7	5166	1	RING, RETAINING	29	2467	1	CENTRIFUGAL ACTUATOR ASSEMBLY
8	1439	1	GASKET, MOUNTING	30	9193	1	STATOR ASSEMBLY
9	5298	1	FLANGE, BODY	31	3706-C	1	SWITCH ASSEMBLY, START
10	2234-D	4	BOLT, THRU	32	2267-AH	1	OVERLOAD, PROTECTOR
11	9206-A	1	CLAMPING RING	33	3622	1	SHIELD, WIRE
12	9065-A	1	CONTAINER BODY	34	9901	1	END FRAME ASSEMBLY, LOWER (INCLUDES CODE 37)
13	1473	1	O-RING	35	3584	1	COVER, TERMINAL
14	8583	1	SLEEVE & SEAL KIT (INCLUDES CODES 15 THRU 18)	36	11448	1	SCREW, TERMINAL COVER
15		1	NUT, FLANGE	37	2466-A	1	SCREW, GROUND
16		1	SLINGER	38	8032	4	NUT, HEX
17		1	SEAL	39	9456	1	USE & CARE BOOKLET
18		1	SLEEVE		2638-BE	1	INSTRUCTION ASSEMBLY (NOT SHOWN) (INCLUDES CODES 23 THRU 26)
19	3216-B	1	SHREDDER ASSEMBLY, ROTATING				
20	8492-P	1	END BELL ASSEMBLY, UPPER (INCLUDES CODES 21 & 22)				
21	4250	1	SEAL, WATER & OIL				
22	2292	1	WASHER, THRUST				