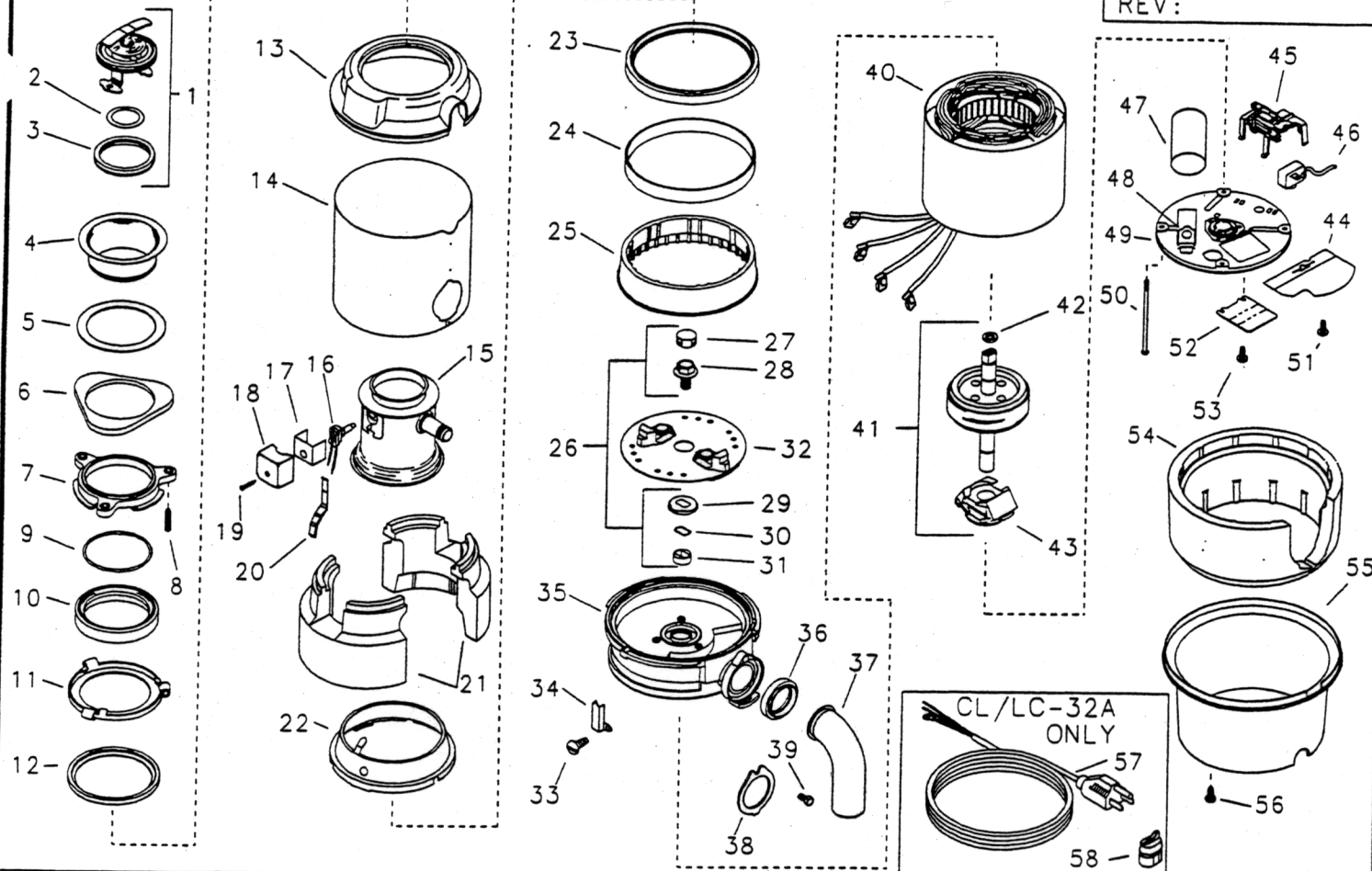


IN-SINK-ERATOR

UL - UL/CORD
MODEL CL/LC-32 / 32-A
 7 YR FULL WRNTY 120V/60HZ 1 H.P.

START DATE
 1-96
 ENGINEER NUMBER
 71359/A

REV:



ORDER BY PART NUMBER, NOT CODE NUMBER

CODE NO.	PART NO.	NO. REQ.	DESCRIPTION	CODE NO.	PART NO.	NO. REQ.	DESCRIPTION
1	1019-G	1	LOCK STOPPER ASSEMBLY (INCLUDES CODES 2 & 3)	33	70734	1	SCREW, TAPPING
2	1144	1	GASKET, STOPPER (INNER)	34	1266	1	SHIELD, WIRE COVER
3	1146-A	1	GASKET, STOPPER (OUTER)	35	9209-C	1	UPPER ENDBELL ASSY
4	5170-AH	1	FLANGE, STRAINER	36	1470	1	GASKET, TAILPIPE
5	1160	1	SEAL, SINK FLANGE	37	2891	1	TAILPIPE
6	5150-E	1	FLANGE, BACKUP	38	5490	1	FLANGE, TAILPIPE
7	5141	1	FLANGE, MOUNTING	39	1491	1	SCREW, TAILPIPE
8	5147	3	SCREW, BACKUP	40	8628-N	1	STATOR ASSY
9	5166	1	RING, RETAINING	41	70423	1	SHAFT ASSY (INCLUDES CODES 42-43)
10	1155	1	GASKET, MOUNTING	42	2642	1	WASHER
11	5298	1	FLANGE, BODY	43	2467	1	SWITCH, CENTRIFUGAL ACTUATOR
12	5299	1	GASKET, BODY	44	4134	1	SHIELD, WIRE
13	3476	1	TRIM SHELL ASSEMBLY (TOP)	45	70360	1	SWITCH, START REVERSE
14	9487-D	1	TRIM BAND ASSEMBLY	46	2267-CM	1	PROTECTOR, OVERLOAD
15	3559-W	1	BODY CONTAINER ASSEMBLY (INCLUDES BODY INSULATION & CODE 23)	47	5861	1	CAPACITOR
16	2590-A	1	SWITCH ASSEMBLY (PUSH BUTTON)	48	71425	1	CLIP, CAPACITOR
17	4152	1	INSULATION, SWITCH COVER	49	70424	1	LOWER ENDFRAME ASSY (INCLUDES CODE 51)
18	2586-B	1	COVER, SWITCH	50	2486-A	2	BOLT, THRU
19	2588	1	SCREW, TAPPING (SWITCH COVER)	51	2466-A	1	SCREW, GROUND
20	1252-A	1	BRACKET, WIRE COVER	52	71387	1	COVER, TERMINAL
21	8323	1	INSULATION, TOP	53	70734	1	SCREW, TERMINAL COVER
22	1225-E	1	BODY, LOWER	54	8322	1	INSULATION, BOTTOM
23	4395	1	GASKET, SHREDDER	55	71178	1	COVER, BOTTOM TRIM
24	3420	1	INSULATION, SOUND (DEADENING)	56	70734	3	SCREW, TAPPING
25	1248-A	1	SHREDDER, STATIONARY	57	2272	1	PLUG & CORD
26	70647	1	SLEEVE & SEAL KIT (INCLUDES CODES 27 THRU 31)	58	70666	1	BUSHING
27	2854	1	PLUG	59	71233	1	INSTALLATION, CARE & USE BOOK (NOT SHOWN)
28	N/A	1	BOLT, HEX HEAD FLANGE	60	2610-NL	1	INSTRUCTION ASSY (NOT SHOWN) (INCLUDES CODES 36-39 & 59)
29	N/A	1	SLINGER				
30	N/A	1	SEAL				
31	N/A	1	SLEEVE				
32	71022	1	ROTATING SHREDDER ASSEMBLY				