

IN-SINK-ERATOR

MODEL **CL-61** / **61-A**
7 YR FULL WRNTY

UL - UL/CORD

CL-61 / **61-A**

115V/60HZ

1 H.P.

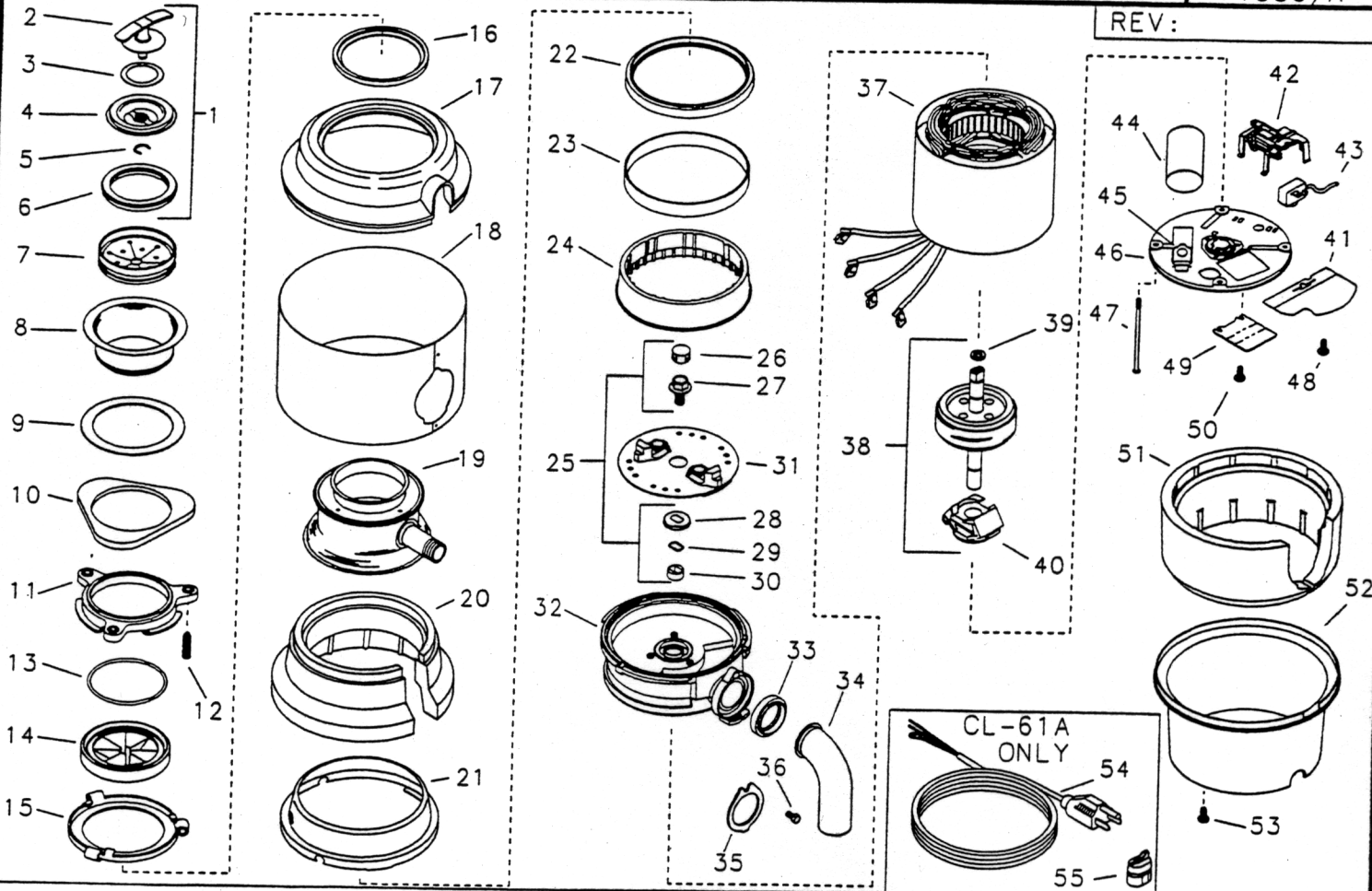
START DATE

1-96

ENGINEER NUMBER

71358/A

REV:



ORDER BY PART NUMBER, NOT CODE NUMBER

CODE NO.	PART NO.	NO. REQ.	DESCRIPTION	CODE NO.	PART NO.	NO. REQ.	DESCRIPTION
1	1242-A	1	STOPPER ASSY (INCLUDES CODES 2-6)	33	1470	1	GASKET, TAILPIPE
2	1288-A	1	HANDLE, STOPPER	34	2891	1	TAILPIPE
3	1144	1	GASKET, STOPPER (INNER)	35	5490	1	FLANGE, TAILPIPE
4	5015-A	1	BODY, STOPPER	36	1491	1	SCREW, TAILPIPE
5	5045	1	RING, RETAINER	37	8630	1	STATOR ASSY
6	5029	1	GASKET, STOPPER	38	70423	1	SHAFT ASSY (INCLUDES CODES 39-40)
7	70966	1	BAFFLE, REMOVABLE	39	2642	1	WASHER
8	5170-AH	1	FLANGE, STRAINER	40	2467	1	SWITCH, CENTRIFUGAL ACTUATOR
9	1160	1	GASKET, STRAINER FLANGE	41	4134	1	SHIELD, WIRE
10	5150-E	1	FLANGE, BACKUP	42	70360	1	SWITCH, START REVERSE
11	5141	1	FLANGE, MOUNTING	43	2267-CM	1	PROTECTOR, OVERLOAD
12	5147	3	SCREW, BACKUP	44	5861	1	CAPACITOR
13	5166	1	RING, RETAINING	45	71425	1	CLIP, CAPACITOR
14	1010-A	1	GASKET, MOUNTING	46	70424	1	LOWER ENDFRAME ASSY (INCLUDES CODE 48)
15	5298	1	FLANGE, BODY	47	2486-A	2	BOLT, THRU
16	5299	1	GASKET, BODY	48	2466-A	1	SCREW, GROUND
17	4470	1	COVER, TOP TRIM	49	71387	1	COVER, TERMINAL
18	9487	1	TRIM BAND ASSY	50	70734	1	SCREW, TERMINAL COVER
19	3559-U	1	BODY CONTAINER ASSY (INCLUDES BODY INSULATION & CODE 22)	51	8322	1	INSULATION, BOTTOM
20	8324	1	INSULATION, TOP	52	71178	1	COVER, BOTTOM TRIM
21	1225-D	1	BODY, LOWER	53	70734	3	SCREW, TAPPING
22	4395	1	GASKET, SHREDDER	54	2272	1	PLUG & CORD
23	3420	1	INSULATION, SOUND (DEADENING)	55	70666	1	BUSHING
24	1248-A	1	SHREDDER, STATIONARY	56	71233	1	INSTALLATION, CARE & USE BOOK (NOT SHOWN)
25	70647	1	SLEEVE & SEAL KIT (INCLUDES CODES 26-30)	57	2610-NL	1	INSTRUCTION ASSY (NOT SHOWN) (INCLUDES CODES 33-36 & 56)
26	2854	1	PLUG				
27	N/A	1	BOLT, HEX HEAD FLANGE				
28	N/A	1	SLINGER				
29	N/A	1	SEAL				
30	N/A	1	SLEEVE				
31	71022	1	ROTATING SHREDDER ASSY				
32	9209-C	1	UPPER ENDBELL ASSY				