

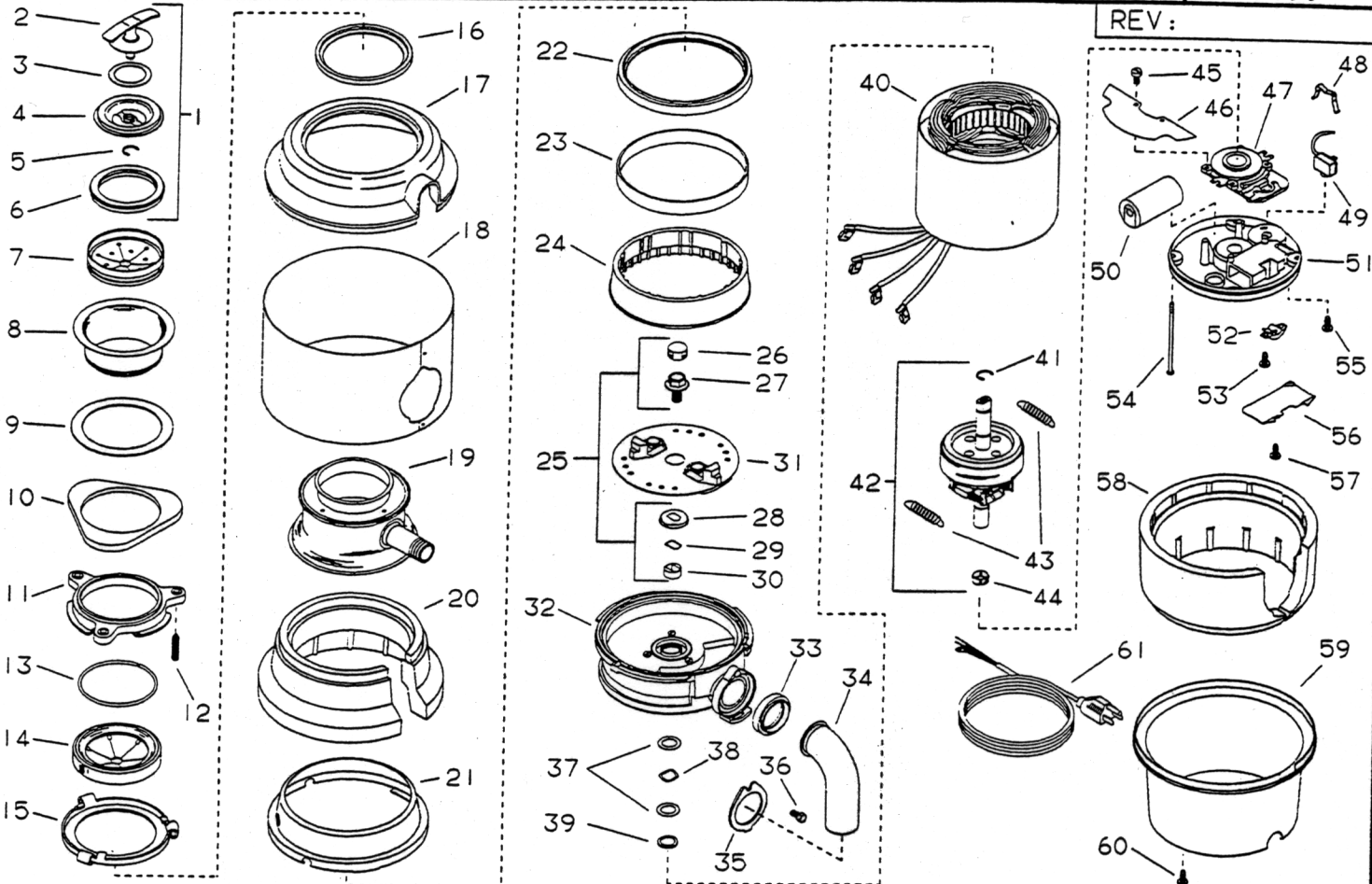
IN-SINK-ERATOR

MODEL CL-54

115V/60HZ

UL
 START DATE
 01-18-93
 ENGINEER NUMBER
 70499

REV:



ORDER BY PART NUMBER, NOT CODE NUMBER

CODE NO.	PART NO.	NO. REQ.	DESCRIPTION	CODE NO.	PART NO.	NO. REQ.	DESCRIPTION
1	1242-A	1	STOPPER ASSEMBLY (INCLUDES CODES 2 THRU 6)	33	1470	1	GASKET, TAILPIPE
2	1288-A	1	HANDLE, STOPPER	34	2891	1	TAILPIPE
3	1144	1	GASKET, STOPPER (INNER)	35	5490	1	FLANGE, TAILPIPE
4	5015-A	1	BODY, STOPPER	36	1491	1	SCREW, TAILPIPE
5	5045	1	RING, RETAINER	37	3551	2	WASHER, THRUST
6	5029	1	GASKET, STOPPER	38	3550	1	WASHER, SPRING
7	3433	1	BAFFLE, REMOVABLE	39	8793	1	WASHER, CUP
8	5170-AH	1	FLANGE, STRAINER	40	4365-A	1	STATOR ASSEMBLY
9	1160	1	GASKET, STRAINER FLANGE	41	4348	1	"C"RING
10	5150-E	1	FLANGE, BACKUP	42	70488	1	SHAFT ASSEMBLY (INCLUDES CODES 37-39, 41, 43&44)
11	5141	1	FLANGE, MOUNTING	43	7738	2	SPRING (CENTRIFUGAL ACTUATOR)
12	5147	3	SCREW, BACKUP	44	8361	1	TRANSFER ASSEMBLY
13	5166	1	RING, RETAINING	45	8221	4	SCREW
14	1010-A	1	GASKET, MOUNTING	46	6618	1	SHIELD, WIRE
15	5298	1	FLANGE, BODY	47	4469	1	START SWITCH ASSEMBLY
16	5299	1	GASKET, BODY	48	3620	1	CLIP, OVERLOAD
17	4470	1	COVER, TOP TRIM	49	2267-BU	1	OVERLOAD ASSEMBLY
18	9487	1	TRIM BAND ASSEMBLY	50	5861	1	CAPACITOR
19	3559-S	1	BODY CONTAINER ASSEMBLY (INCLUDES SOUND INSULATION)	51	9163	1	LOWER ENDFRAME ASSEMBLY (INCLUDES CODES 48 & 55)
20	8324	1	INSULATION, TOP	52	5060	1	CLAMP, BX
21	1225-D	1	BODY, LOWER	53	5075	2	SCREW, BX CLAMP
22	4395	1	GASKET, SHREDDER	54	5949	4	BOLT, THRU
23	3420	1	INSULATION, SOUND (DEADENING)	55	1966	1	SCREW, GROUND
24	1248-A 70647	1	SHREDDER, STATIONARY SLEEVE & SEAL KIT (INCLUDES CODES 26 THRU 30)	56	5091-C	1	COVER, TERMINAL
26	2854	1	PLUG	57	8221	1	SCREW, TERMINAL COVER
27	N/A	1	BOLT, HEX HEAD FLANGE	58	8322	1	INSULATION, BOTTOM
28	N/A	1	SLINGER	59	3473	1	COVER, BOTTOM TRIM
29	N/A	1	SEAL	60	1614	3	SCREW, TAPPING
30	N/A	1	SLEEVE	61	2272	1	PLUG & CORD (ACCESSORY)
31	8582	1	ROTATING SHREDDER ASSEMBLY	62	8864	1	USE AND CARE BOOKLET (NOT SHOWN)
32	9209-C	1	UPPER ENDBELL ASSEMBLY		2610-EB	1	INSTRUCTION ASSEMBLY (NOT SHOWN) INCLUDES CODES 33-36 & 62)