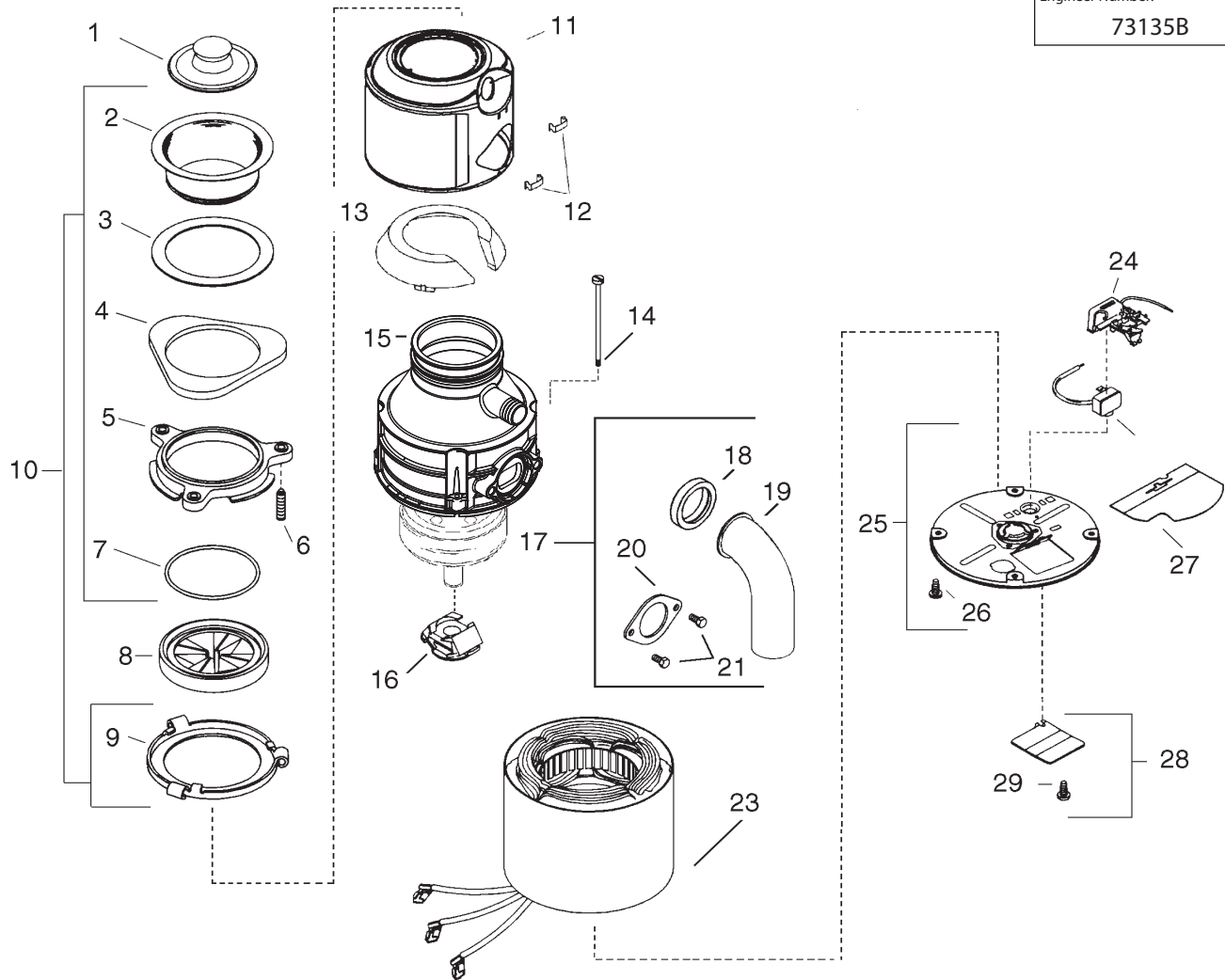




BADGER 5 Plus 8

CSA

Warranty:	3Year Full Warranty
hp/Volts/Hertz:	5/8hp -120V / 60Hz
Production Date:	2/03
Engineer Number:	73135B



ORDER BY PART NUMBER, NOT CODE NUMBER

CODE NO.	PART NO.	NO. REQ.	DESCRIPTION	CODE NO.	PART NO.	NO. REQ.	DESCRIPTION
1	4310	1	Stopper Assembly	18	N/A	1	Tailpipe Gasket
2	N/A	1	Sink Flange	19	N/A	1	Tailpipe
3	N/A	1	Fiber Gasket	20	N/A	1	Tailpipe Flange
4	N/A	1	Backup Ring	21	N/A	2	Screw
5	N/A	1	Mounting Ring	22	4577	1	Service Wrenchette (Not Shown)
6	N/A	3	Screw	23	9341C	1	Stator Assembly
7	N/A	1	Snap Ring	24	3706C	1	Start Switch Assembly
8	70368	1	Mounting Gasket	25	2267BYZZ	1	Overload Protector
9	N/A	1	Body Flange	26	71875D	1	End Frame Assembly (Includes Code 27)
10	3173DA	1	Mounting Assy (Inc. Codes 2-7 & 9)	27	N/A	1	Ground Screw
11	73427	1	Trim Shell	28	4134	1	Wire Shield
12	2037	2	Clips	29	72647A	1	Terminal Cover Assy (Includes Code 30)
13	70984	1	Insulation	30	N/A	1	Terminal Cover Screw
14	73193A	4	Thru Bolt	31	73116	1	Installation, Care & Use Manual (Not Shown)
15	N/A	1	Enclosure Assembly (Not Available - Replace Unit)				
16	2467	1	Centrifugal Actuator Assy				
17	73130	1	Installation Kit (Includes codes 18-22)				