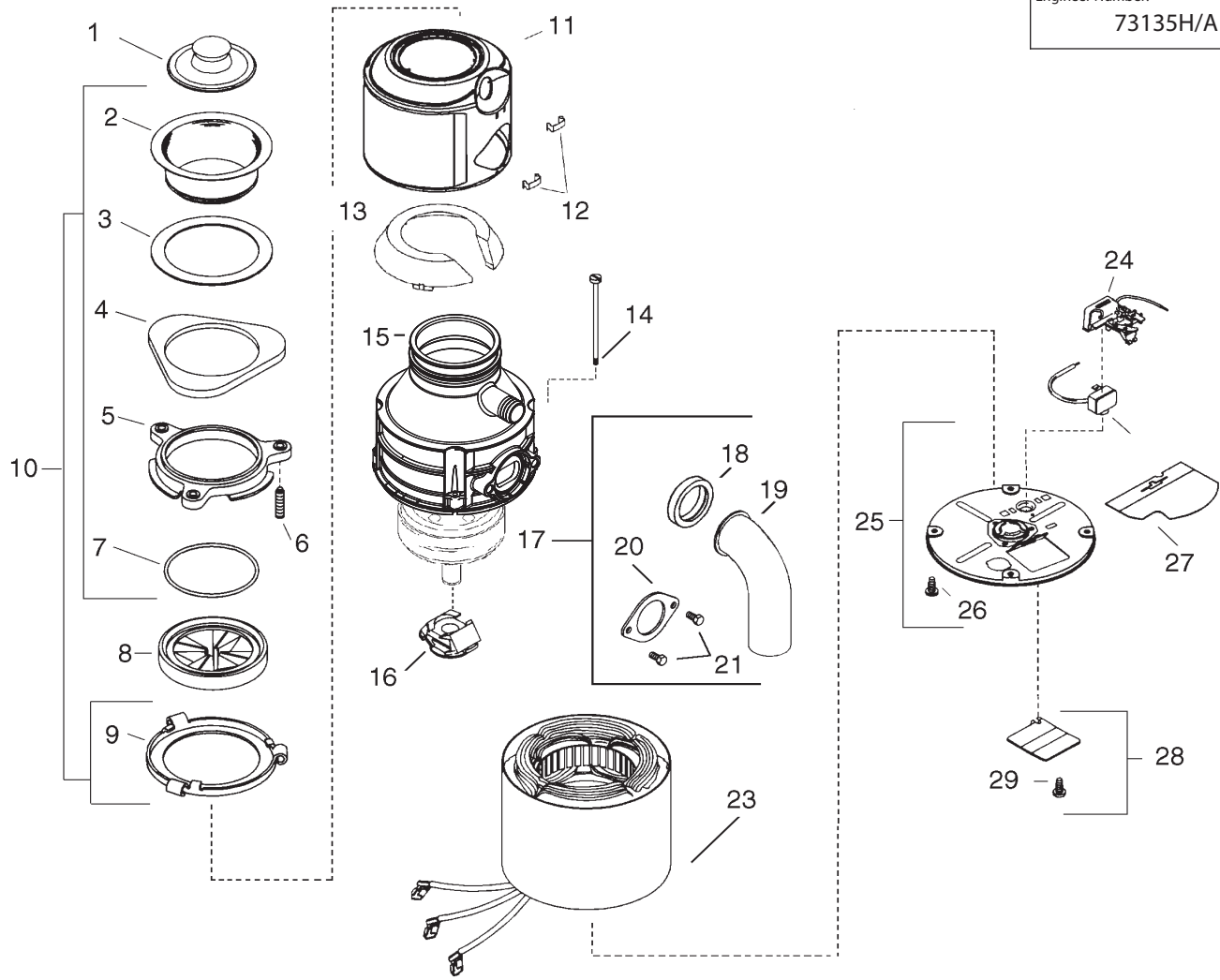




UL

BADGER 5 Plus 7 BADGER 5 Plus 7A (With Cord)

Warranty:	3Year Full Warranty
hp/Volts/Hertz:	5/8hp -120V / 60Hz
Production Date:	2/03
Engineer Number:	73135H/A



ORDER BY PART NUMBER, NOT CODE NUMBER

CODE NO.	PART NO.	NO. REQ.	DESCRIPTION	CODE NO.	PART NO.	NO. REQ.	DESCRIPTION
1	4310	1	Stopper Assembly	19	N/A	1	Tailpipe
2	N/A	1	Sink Flange	20	N/A	1	Tailpipe Flange
3	N/A	1	Fiber Gasket	21	N/A	2	Screw
4	N/A	1	Backup Ring	22	4577	1	Service Wrenchette (Not Shown)
5	N/A	1	Mounting Ring	23	9341C	1	Stator Assembly
6	N/A	3	Screw	24	3706C	1	Start Switch Assembly
7	N/A	1	Snap Ring	25	2267BYZZ	1	Overload Protector
8	70368	1	Mounting Gasket	26	71875D	1	End Frame Assembly (Includes Code 27)
9	N/A	1	Body Flange	27	N/A	1	Ground Screw
10	3173DA	1	Mounting Assy (Inc. Codes 2-7 & 9)	28	4134	1	Wire Shield
11	73426	1	Trim Shell	29	72647A	1	Terminal Cover Assy (Includes Code 30)
12	2037	2	Clips	30	N/A	1	Terminal Cover Screw
13	70984	1	Insulation	31	73104	1	Installation, Care & Use Manual (Not Shown)
14	73193A	4	Thru Bolt	32	70666	1	Bushing (Badger 5Plus 7A only - Not Shown)
15	N/A	1	Enclosure Assembly (Not Available - Replace Unit)	33	2272	1	Cord (Badger 5Plus 7A only - Not Shown)
16	2467	1	Centrifugal Actuator Assy				
17	73130	1	Installation Kit (Includes codes 18-22)				
18	N/A	1	Tailpipe Gasket				