

# IN-SINK-ERATOR

# MODEL BADGER 5 PLUS

2YR FULL WRNTY

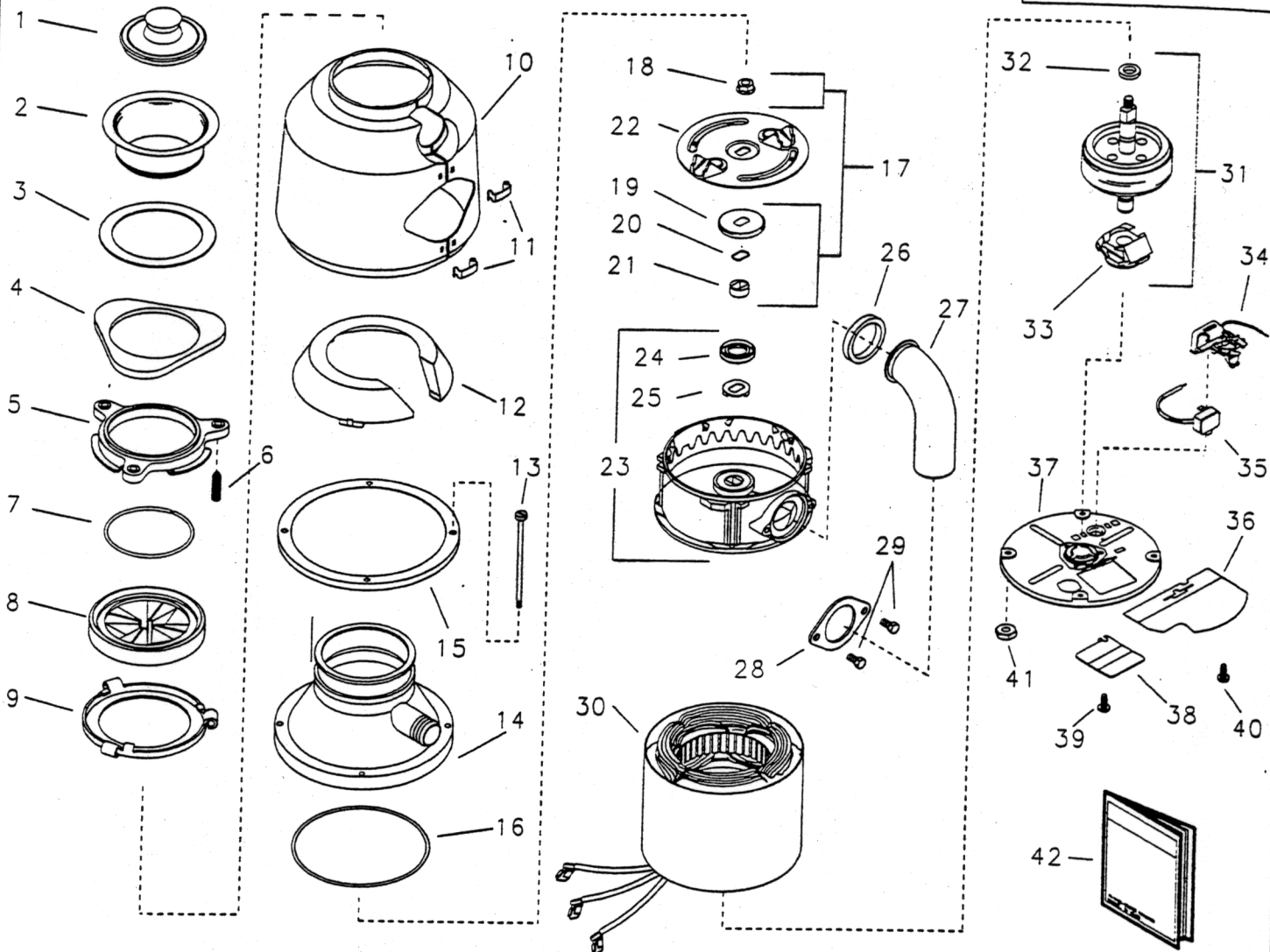
120V / 60 Hz.

5/8 H.P.

START DATE  
08/06

ENGINEER NUMBER  
71673

REV:



ORDER BY PART NUMBER, NOT CODE NUMBER

CODE NO.	PART NO.	NO. REQ.	DESCRIPTION	CODE NO.	PART NO.	NO. REQ.	DESCRIPTION
1	4310	1	STOPPER ASSEMBLY	24	4250	1	SEAL WATER AND OIL
2	5170-AC	1	FLANGE, STRAINER	25	2292	1	WASHER, THRUST
3	1160	1	GASKET, STRAINER FLANGE	26	2592	1	GASKET, TAILPIPE
4	5150-E	1	FLANGE, BACKUP	27	8219	1	TAILPIPE
5	5141	1	FLANGE, MOUNTING	28	2593A	1	FLANGE, TAILPIPE
6	5147	3	SCREW, BACKUP	29	1468	2	SCREW, TAILPIPE-
7	5166	1	RING, RETAINING	30	3255-C	1	STATOR ASSEMBLY
8	70368	1	GASKET, MOUNTING	31	3253-A	1	ROTOR AND SHAFT ASSEMBLY (INCLUDES CODES 32 & 33)
9	5298	1	FLANGE, BODY	32	2642	1	WASHER
10	70979	1	TRIM SHELL	33	2467	1	CENTRIFUGAL ACTUATOR, SWITCH
11	2037	2	CLIP, TRIM BAND	34	3706-C	1	SWITCH ASSEMBLY, START
12	70984	1	INSULATION	35	2267-BY	1	OVERLOAD, PROTECTOR
13	2234-E	4	BOLT, THRU	36	4134	1	SHIELD, WIRE
14	70985	1	BODY, CONTAINER	37	9901	1	END FRAME ASSEMBLY, LOWER (INCLUDES CODE 41)
15	9206	1	CLAMPING RING	38	71387	1	COVER, TERMINAL
16	1473	1	O-RING	39	70734	1	SCREW, TERMINAL COVER
17	70647	1	SLEEVE & SEAL KIT (INCLUDES CODES 18 THRU 21)	40	2466-A	1	SCREW, GROUND
18	N/A	1	NUT, FLANGE	41	8032	4	NUT, HEX
19	N/A	1	SLINGER	42	71233	1	ICU BOOKLET
20	N/A	1	SEAL	--	2638-BE	1	INSTRUCTION ASSEMBLY (NOT SHOWN) (INCLUDES CODES 26 THRU 29)
21	N/A	1	SLEEVE				
22	3216-B	1	SHREDDER ASSEMBLY, ROTATING				
23	8492	1	END BELL ASSEMBLY, UPPER (INCLUDES CODES 24 & 25)				