



HOUSEHOLD DISPOSER (UL)

# MODEL BADGER 5-69

2 Year Full Warranty

120V / 60Hz

1/2 H.P.

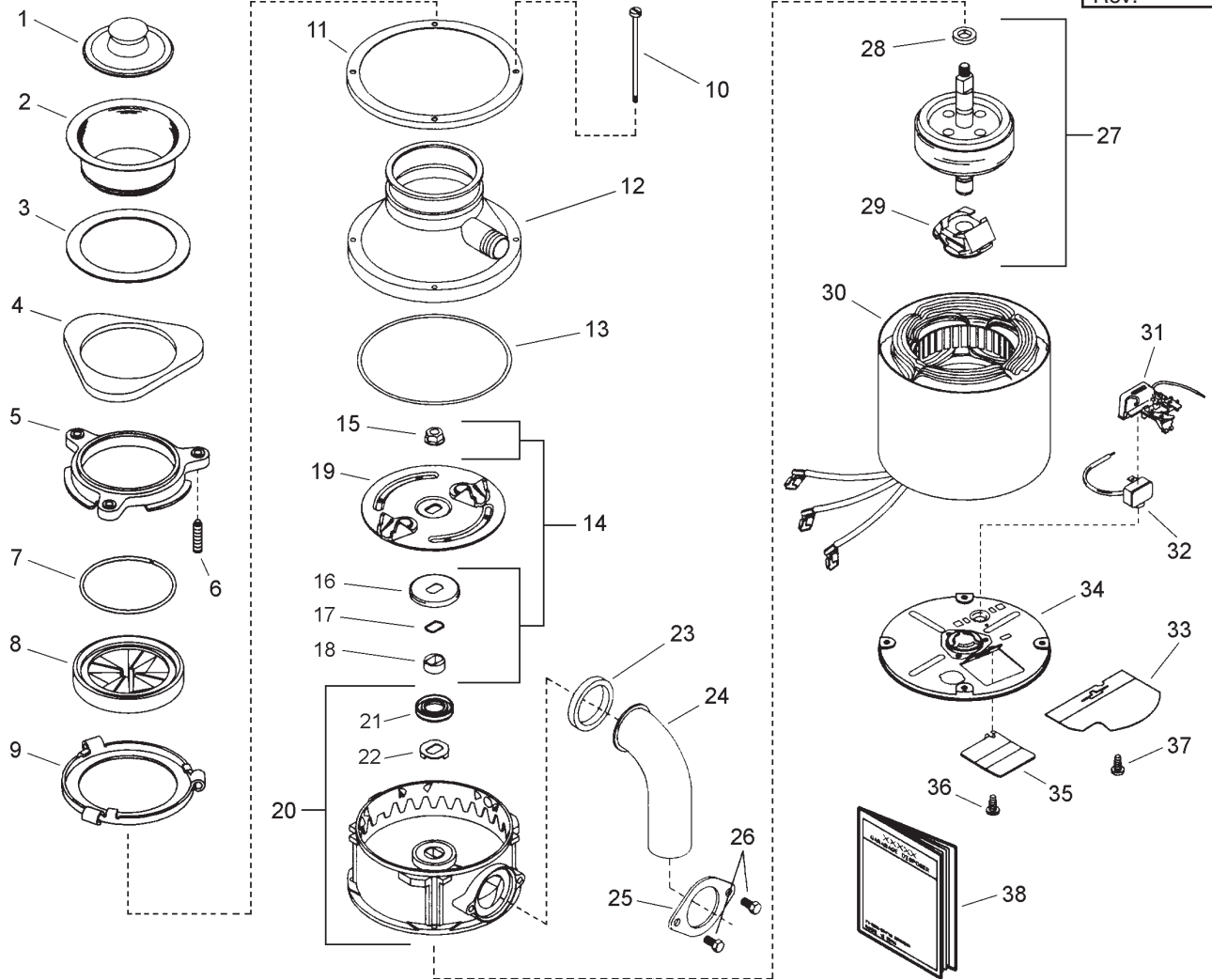
Start Date:

1/98

Engineer Number:

72004

Rev:



**ORDER BY PART NUMBER, NOT CODE NUMBER**

| CODE NO. | PART NO. | NO. REQ. | DESCRIPTION  | CODE NO. | PART NO. | NO. REQ. | DESCRIPTION  |
|----------|----------|----------|--|----------|----------|----------|--|
| 1        | 4310     | 1        | Stopper Assembly                                     | 22       | 2292     | 1        | Washer, Thrust   |
| 2        | 5170AC   | 1        | Flange, Strainer                                     | 23       | 2592     | 1        | Gasket, Tailpipe                                       |
| 3        | 1160     | 1        | Seal, Sink Flange                                    | 24       | 8219     | 1        | Tailpipe   |
| 4        | 5150E    | 1        | Flange, Backup                                       | 25       | 2593A    | 1        | Flange, Tailpipe                                       |
| 5        | 5141     | 1        | Flange, Mounting                                     | 26       | 1468     | 2        | Screw, Tailpipe  |
| 6        | 5147     | 3        | Screw, Backup  | 27       | 3253A    | 1        | Rotor & Shaft Assembly<br>(Includes Codes 28 & 29)     |
| 7        | 5166     | 1        | Ring, Retaining                                      | 28       | 2642     | 1        | Washer   |
| 8        | 70368    | 1        | Gasket, Mounting                                     | 29       | 2467     | 1        | Centrifugal Actuator Assembly                          |
| 9        | 5298     | 1        | Flange, Body   | 30       | 9341C    | 1        | Stator Assembly  |
| 10       | 71930A   | 4        | Bolt, Thru   | 31       | 3706C    | 1        | Switch Assembly, Start                                 |
| 11       | 9209W    | 1        | Clamping Ring  | 32       | 2267BY   | 1        | Overload, Protector                                    |
| 12       | 70985N   | 1        | Container Body                                       | 33       | 4134     | 1        | Shield, Wire   |
| 13       | 1473     | 1        | O-Ring   | 34       | 9901     | 1        | End Frame Assembly<br>(Includes Code 37)               |
| 14       | 70647    | 1        | Sleeve & Seal Kit<br>(Includes Codes 15-18)          | 35       | 71387    | 1        | Cover, Terminal  |
| 15       | N/A      | 1        | Nut, Flange  | 36       | 70734    | 1        | Screw, Terminal Cover                                  |
| 16       | N/A      | 1        | Slinger  | 37       | 2466A    | 1        | Screw, Ground  |
| 17       | N/A      | 1        | Seal   | 38       | 72050    | 1        | Use & Care Booklet<br>(English/Spanish)                |
| 18       | N/A      | 1        | Sleeve   | 39       | 2638BE   | 1        | Instruction Assy (Not Shown)<br>(Includes Codes 23-26) |
| 19       | 3216B    | 1        | Shredder Assembly, Rotating                          |          |          |          |  |
| 20       | 8492AC   | 1        | End Bell Assembly, Upper<br>(Includes Codes 21 & 22) |          |          |          |  |
| 21       | 4250     | 1        | Seal, Water & Oil                                    |          |          |          |  |