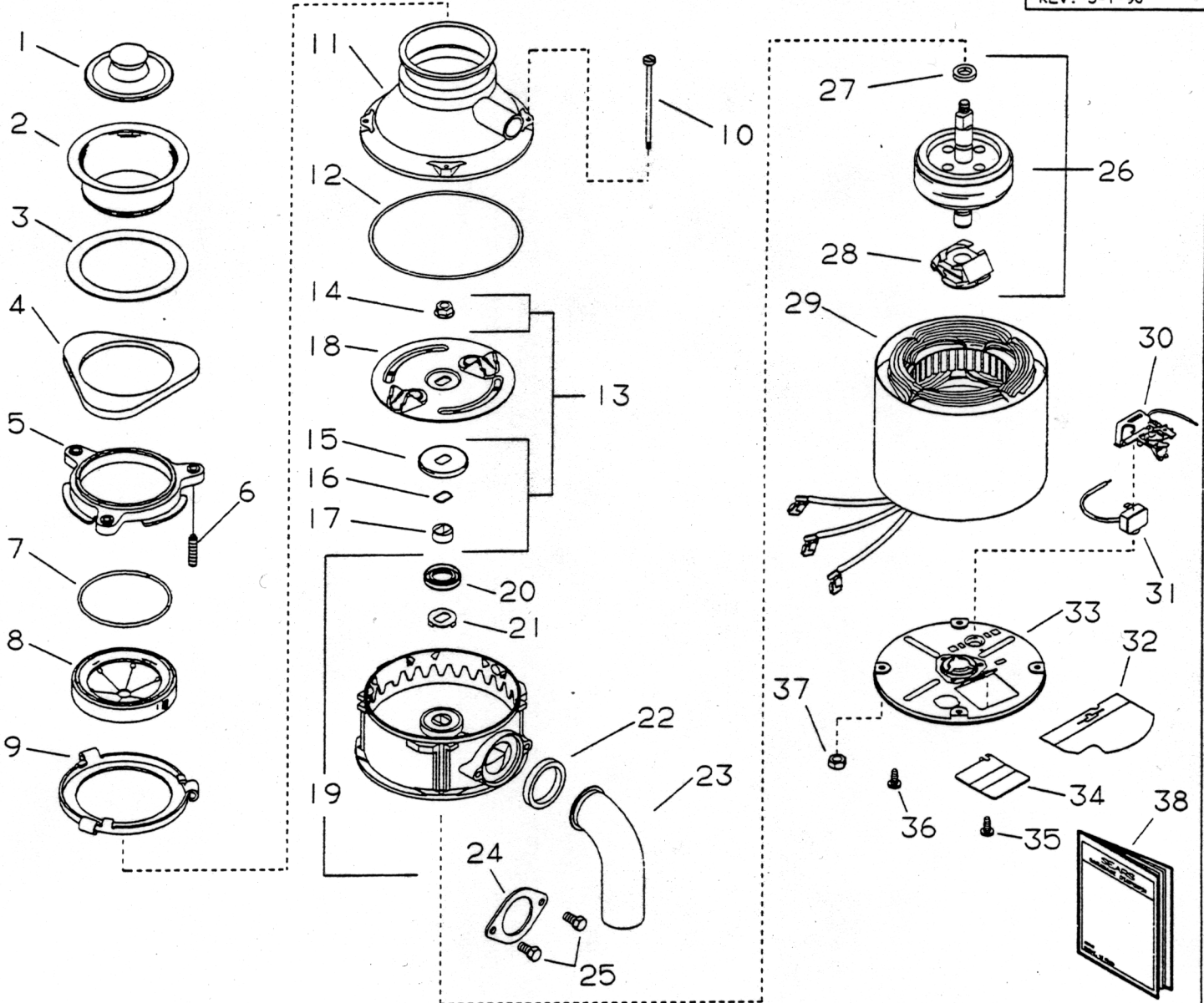


IN-SINK-ERATOR

UL
MODEL BADGER 5-52
 115V/60HZ GSA

START DATE
 11/06/89
 ENGINEER NUMBER
 9986
 REV: 5-1-90



ORDER BY PART NUMBER, NOT CODE NUMBER

CODE NO.	PART NO.	NO. REQ.	DESCRIPTION	CODE NO.	PART NO.	NO. REQ.	DESCRIPTION
1	4310	1	STOPPER ASSEMBLY	21	2292	1	WASHER, THRUST
2	5170-AC	1	FLANGE, STRAINER	22	2592	1	GASKET, TAILPIPE
3	1160	1	SEAL, SINK FLANGE	23	8219	1	TAILPIPE
4	5150-E	1	FLANGE, BACKUP	24	2593-A	1	FLANGE, TAILPIPE
5	5141	1	FLANGE, MOUNTING	25	1468	2	SCREW, TAILPIPE
6	5147	3	SCREW, BACKUP	26	3253-A	1	ROTOR & SHAFT ASSEMBLY (INCLUDES CODES 27 & 28)
7	5166	1	RING, RETAINING	27	2642	1	WASHER
8	1439	1	GASKET, MOUNTING	28	2467	1	CENTRIFUGAL ACTUATOR ASSEMBLY
9	5298	1	FLANGE, BODY	29	3255-C	1	STATOR ASSEMBLY
10	2234-E	4	BOLT, THRU	30	3706	1	SWITCH ASSEMBLY, START
11	9261-B	1	CONTAINER BODY	31	2267-AY	1	OVERLOAD, PROTECTOR
12	1473	1	O-RING	32	4134	1	SHIELD, WIRE
3	8583	1	SLEEVE & SEAL KIT (INCLUDES CODES 14 THRU 17)	33	9901	1	END FRAME ASSEMBLY, LOWER (INCLUDES CODE 36)
14		1	NUT, FLANGE	34	3584	1	COVER, TERMINAL
15		1	SLINGER	35	11448	1	SCREW, TERMINAL COVER
16		1	SEAL	36	2466-A	1	SCREW, GROUND
17		1	SLEEVE	37	8032	4	NUT, HEX
18	3216-C	1	SHREDDER ASSEMBLY, ROTATING	38	9452	1	USE & CARE BOOKLET
19	8492-S	1	END BELL ASSEMBLY, UPPER (INCLUDES CODES 20 & 21)		2638-BE	1	INSTRUCTION ASSEMBLY (NOT SHOWN) (INCLUDES CODES 22 THRU 25 & 38)
20	4250	1	SEAL, WATER & OIL				