



Badger 10S-1

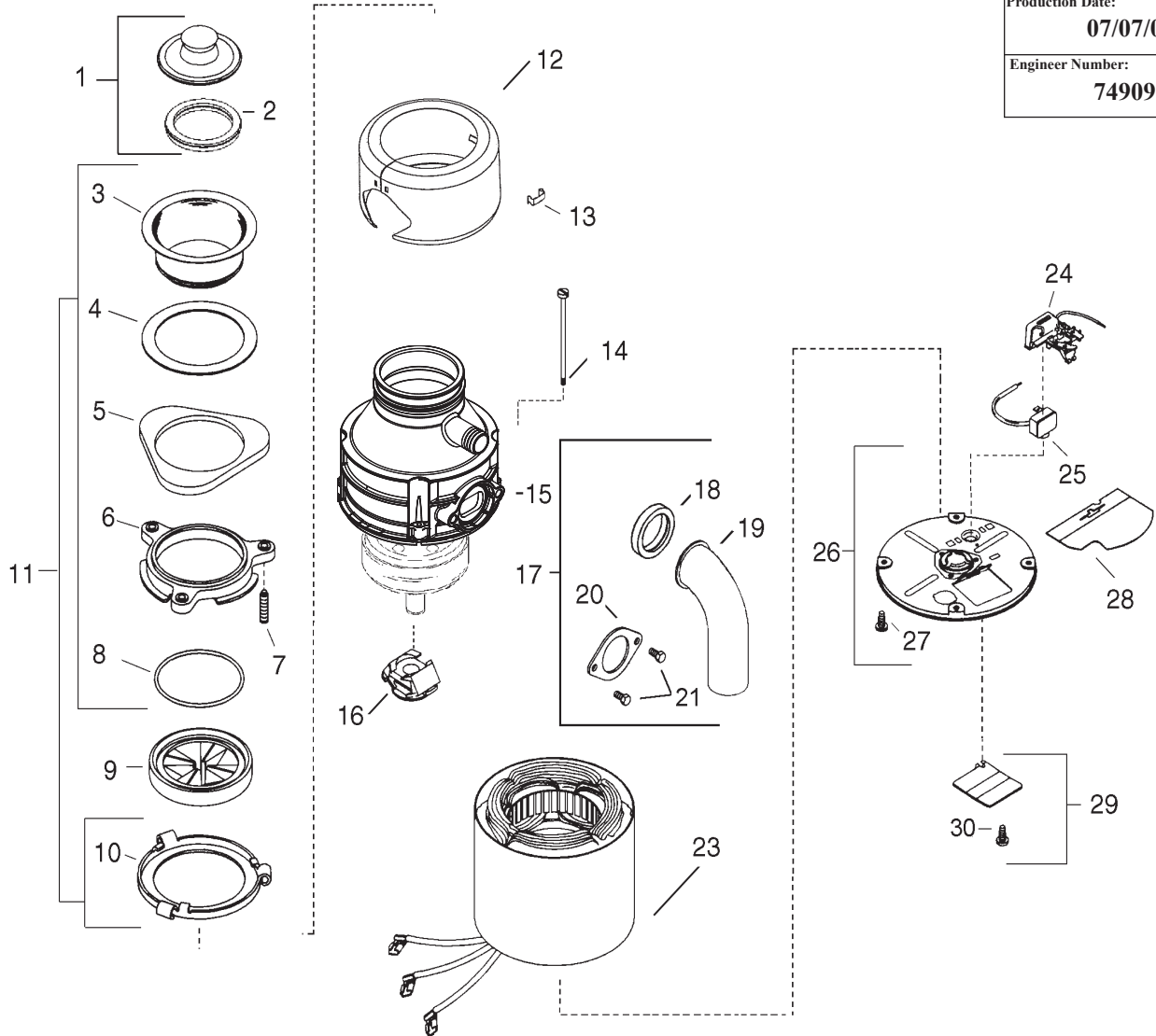
Lowes

Warranty:
3 Year Full Warranty

hp/Volts/Hertz:
3/4hp -120V / 60Hz

Production Date:
07/07/07

Engineer Number:
74909



ORDER BY PART NUMBER, NOT CODE NUMBER

CODE NO.	PART NO.	NO. REQ.	DESCRIPTION	CODE NO.	PART NO.	NO. REQ.	DESCRIPTION
1	5032A	1	Stopper Assembly (Includes Code 2)	17	73130	1	Installation Kit (Includes Codes 18-22)
2	5029	1	Gasket, Stopper	18	N/A	1	Tailpipe Gasket
3	N/A	1	Sink Flange	19	N/A	1	Tailpipe
4	N/A	1	Fiber Gasket	20	N/A	1	Tailpipe Flange
5	N/A	1	Backup Ring	21	N/A	2	Screws
6	N/A	1	Mounting Ring	22	4577	1	Service Wrenchette (Not Shown)
7	N/A	3	Screw	23	8629T	1	Stator Assembly
8	N/A	1	Snap Ring	24	3706C	1	Start Switch Assembly
9	70368	1	Mounting Gasket	25	2267DBZZ	1	Overload Protector
10	N/A	1	Body Flange	26	806ZZ	1	End Frame Assy (Includes Code 27)
11	3173ED	1	Mounting Assy (Includes Codes 3 - 8 & 10)	27	N/A	1	Ground Screw
12	73007B	1	Trim Shell	28	4134	1	Wire Shield
13	73449	1	Clip	29	72647A	1	Terminal Cover Assy (Includes Code 30)
14	73193A	4	Thru Bolt	30	N/A	1	Terminal Cover Screw
15	N/A	1	Enclosure Assembly (Not Available - Replace Unit)	31	74915	1	Installation, Care & Use Manual (Not Shown)
16	2467	1	Centrifugal Actuator Assy				