

# IN-SINK-ERATOR MODEL BADGER 1-70 GSA

U.S.A.

115v/60Hz.

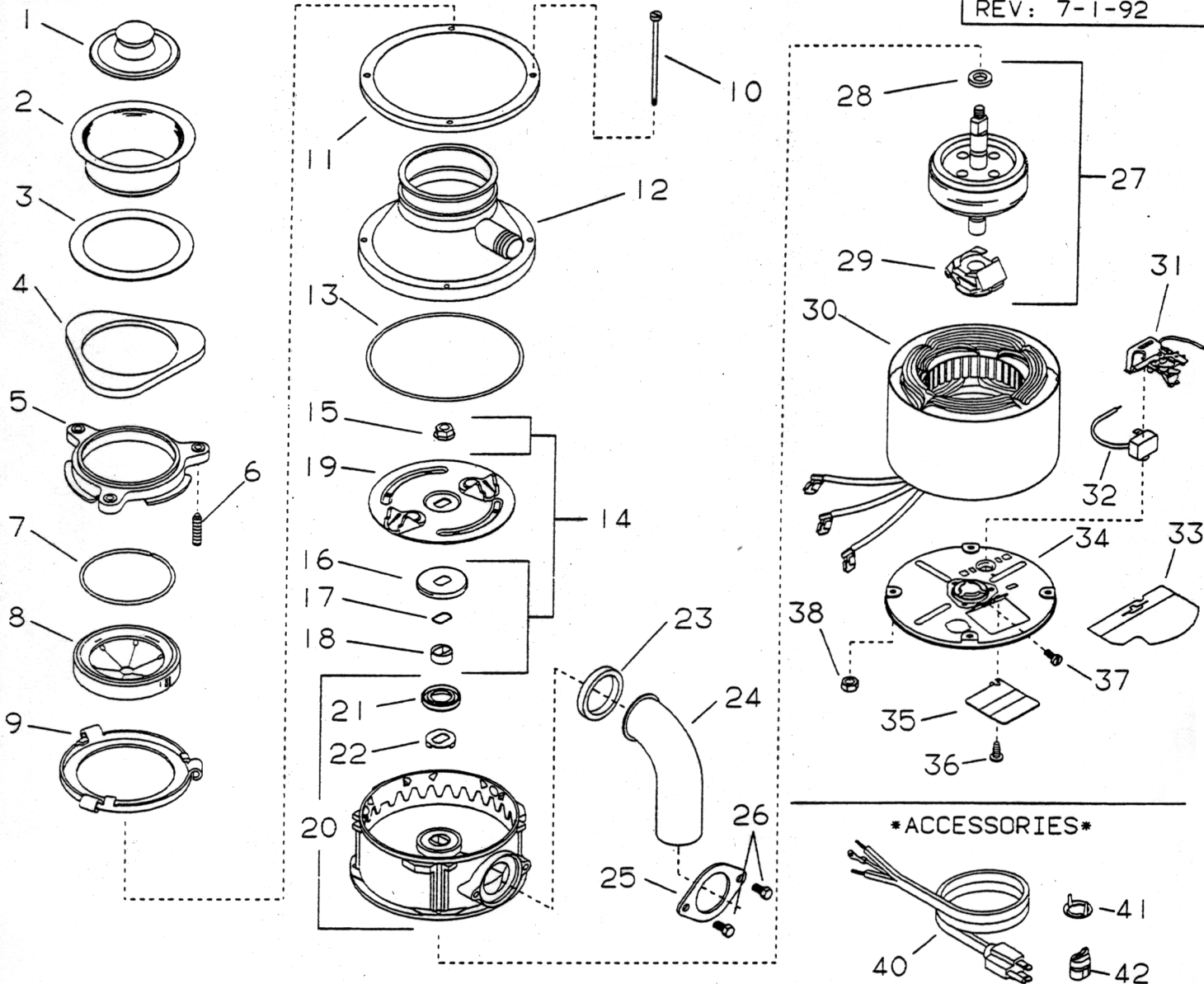
START DATE

7-1-91

ENGINEER NUMBER

70358

REV: 7-1-92



ORDER BY PART NUMBER, NOT CODE NUMBER

\*ACCESSORIES\*

CODE NO.	PART NO.	NO. REQ.	DESCRIPTION	CODE NO.	PART NO.	NO. REQ.	DESCRIPTION
1	4310	1	STOPPER ASSEMBLY	24	8219	1	TAILPIPE
2	5170-AC	1	FLANGE, STRAINER	25	2593-A	1	FLANGE, TAILPIPE
3	1160	1	SEAL, SINK FLANGE	26	1468	2	SCREW, TAILPIPE
4	5150-E	1	FLANGE, BACKUP	27	4071-B	1	ROTOR & SHAFT ASSEMBLY (INCLUDES CODES 28 & 29)
5	5141	1	FLANGE, MOUNTING	28	2642	1	WASHER
6	5147	3	SCREW, BACKUP	29	2467	1	CENTRIFUGAL ACTUATOR ASSEMBLY
7	5166	1	RING, RETAINING	30	4068-C	1	STATOR ASSEMBLY
8	1439	1	GASKET, MOUNTING	31	3706-C	1	START SWITCH ASSEMBLY
9	5298	1	FLANGE, BODY	32	2267-BY	1	OVERLOAD, PROTECTOR
10	2234-D	4	BOLT, THRU	33	3622	1	SHIELD, WIRE
11	9206	1	RING, CLAMPING	34	9901	1	LOWER END FRAME ASSEMBLY (INCLUDES CODE 37)
12	9065	1	CONTAINER, BODY	35	3584	1	COVER, TERMINAL
13	1473	1	O-RING	36	11448	1	SCREW, TERMINAL COVER
14	8583	1	SLEEVE & SEAL KIT (INCLUDES CODES 15 THRU 18)	37	2466-A	1	SCREW, GROUND
15	N/A	1	NUT, FLANGE	38	8032	4	NUT, HEX
16	N/A	1	SLINGER	39	9452	1	USE & CARE BOOK (NOT SHOWN)
17	N/A	1	SEAL	--	2638-BE	1	INSTRUCTION ASSEMBLY (NOT SHOWN) (INCLUDES CODES 23 THRU 26)
18	N/A	1	SLEEVE				
19	3216-C	1	ROTATING SHREDDER ASSEMBLY				
20	8492	1	UPPER ENDBELL ASSEMBLY (INCLUDES CODES 21 & 22)				
21	4250	1	SEAL, WATER & OIL	40	2272	1	ACCESSORIES PLUG AND CORD ASSEMBLY
22	2292	1	WASHER, THRUST	41	2134	1	RETAINER, BUSHING
23	2592	1	GASKET, TAILPIPE	42	2740	1	ADAPTOR, CORD