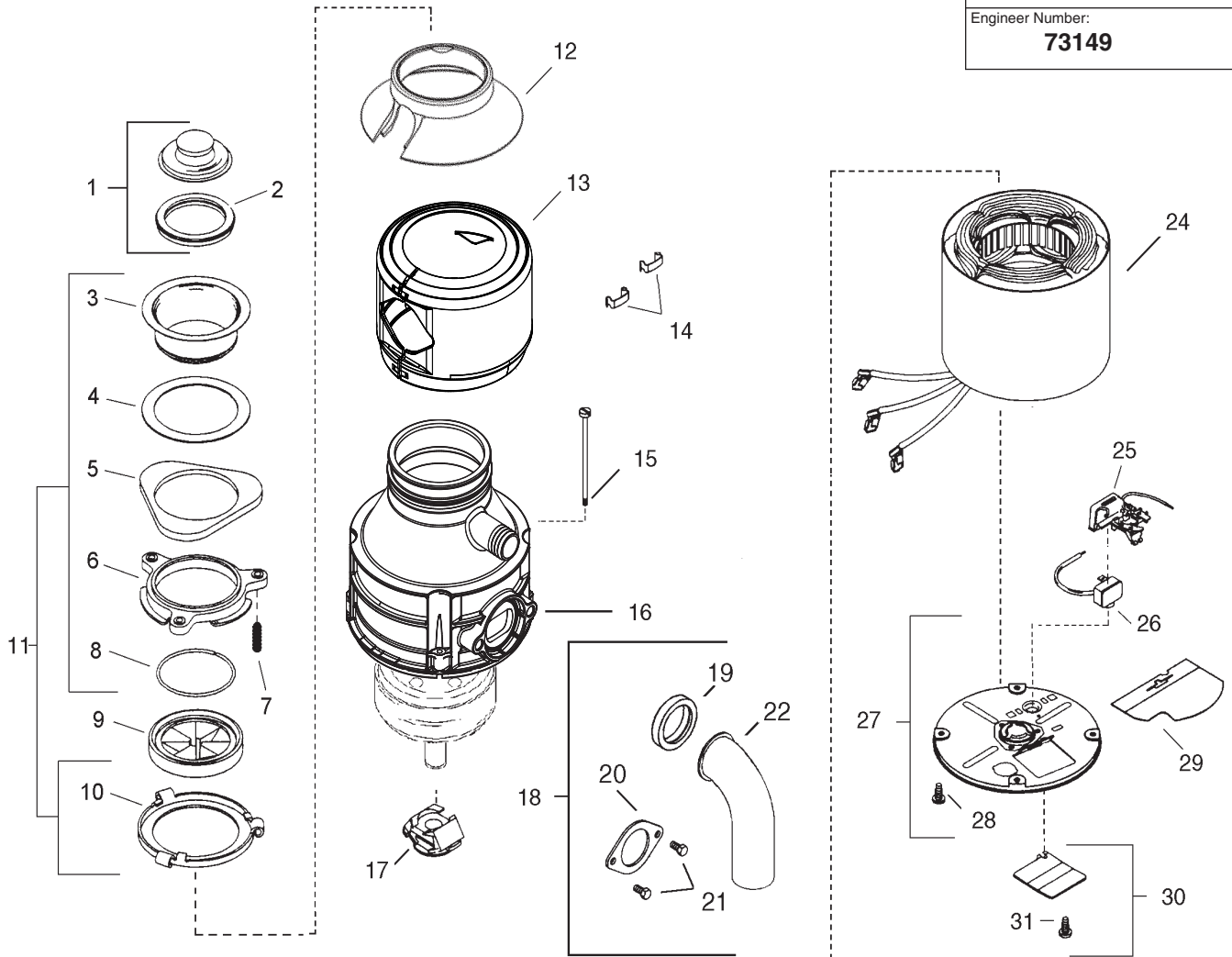


Warranty:	5 Year Full Warranty
hp/Volts/Hertz:	3/4hp -120V / 60Hz
Production Date:	03/28/03
Engineer Number:	73149



ORDER BY PART NUMBER, NOT CODE NUMBER

CODE NO.	PART NO.	NO. REQ.	DESCRIPTION	CODE NO.	PART NO.	NO. REQ.	DESCRIPTION
1	5032A	1	Stopper Assembly (Includes code 2)	18	73130	1	Installation Kit (Includes codes 19 - 23)
2	5029	1	Gasket	19	N/A	1	Tailpipe Gasket
3	N/A	1	Sink Flange	20	N/A	1	Tailpipe Flange
4	N/A	1	Fiber Gasket	21	N/A	2	Screw
5	N/A	1	Backup Ring	22	N/A	1	Tailpipe
6	N/A	1	Mounting Ring	23	4577	1	Service Wrenchette (Not Shown)
7	N/A	3	Screw	24	8629X	1	Stator Assembly
8	N/A	1	Snap Ring	25	3706C	1	Start Switch Assembly
9	70368	1	Mounting Gasket	26	2267DBZZ	1	Overload Protector
10	N/A	1	Body Flange	27	71875D	1	End Frame Assembly (Includes code 28)
11	3173EY	1	Mounting Assembly (Includes codes 3 - 8 & 10)	28	N/A	1	Ground Screw
12	72892	1	Trim Shell Cap	29	4134	1	Wire Shield
13	73256ZZ	1	Trim Shell	30	72647A	1	Terminal Cover Assembly (Includes code 31)
14	73449	2	Clip	31	N/A	1	Screw, Terminal Cover
15	73193A	4	Thru Bolt	32	73119	1	Installation Care & Use (Not Shown)
16	N/A	1	Enclosure Assembly (Not Available - Replace Unit)				
17	2467	1	Centrifugal Actuator Assy				