



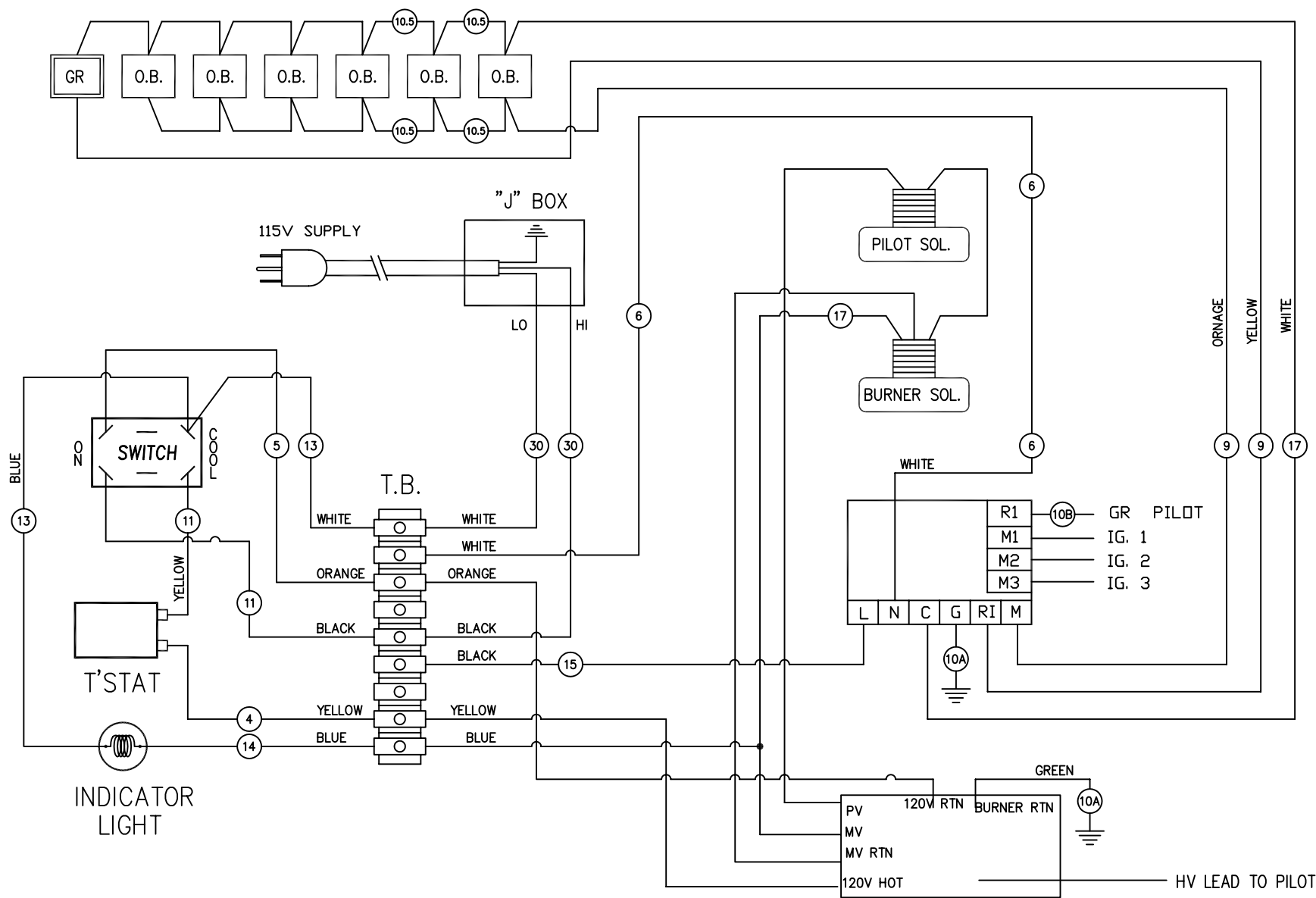
Cooking Equipment Wiring Diagrams

Residential Range

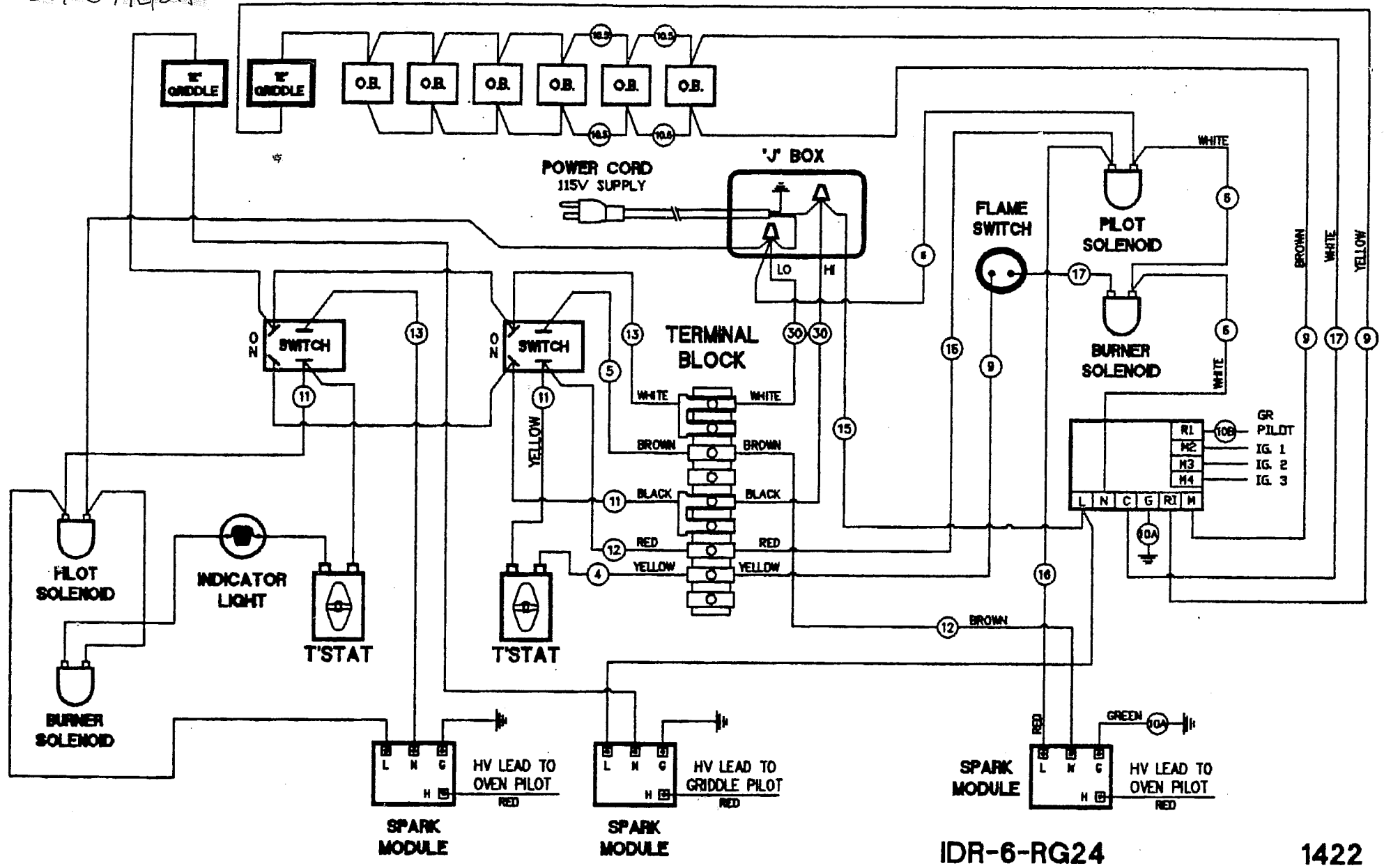
Table of Contents

Wiring Diagram	Page
IDR RAM 4.pdf.....	2
IDR Wiring new style.pdf.....	3
IDR wiring old.pdf.....	4

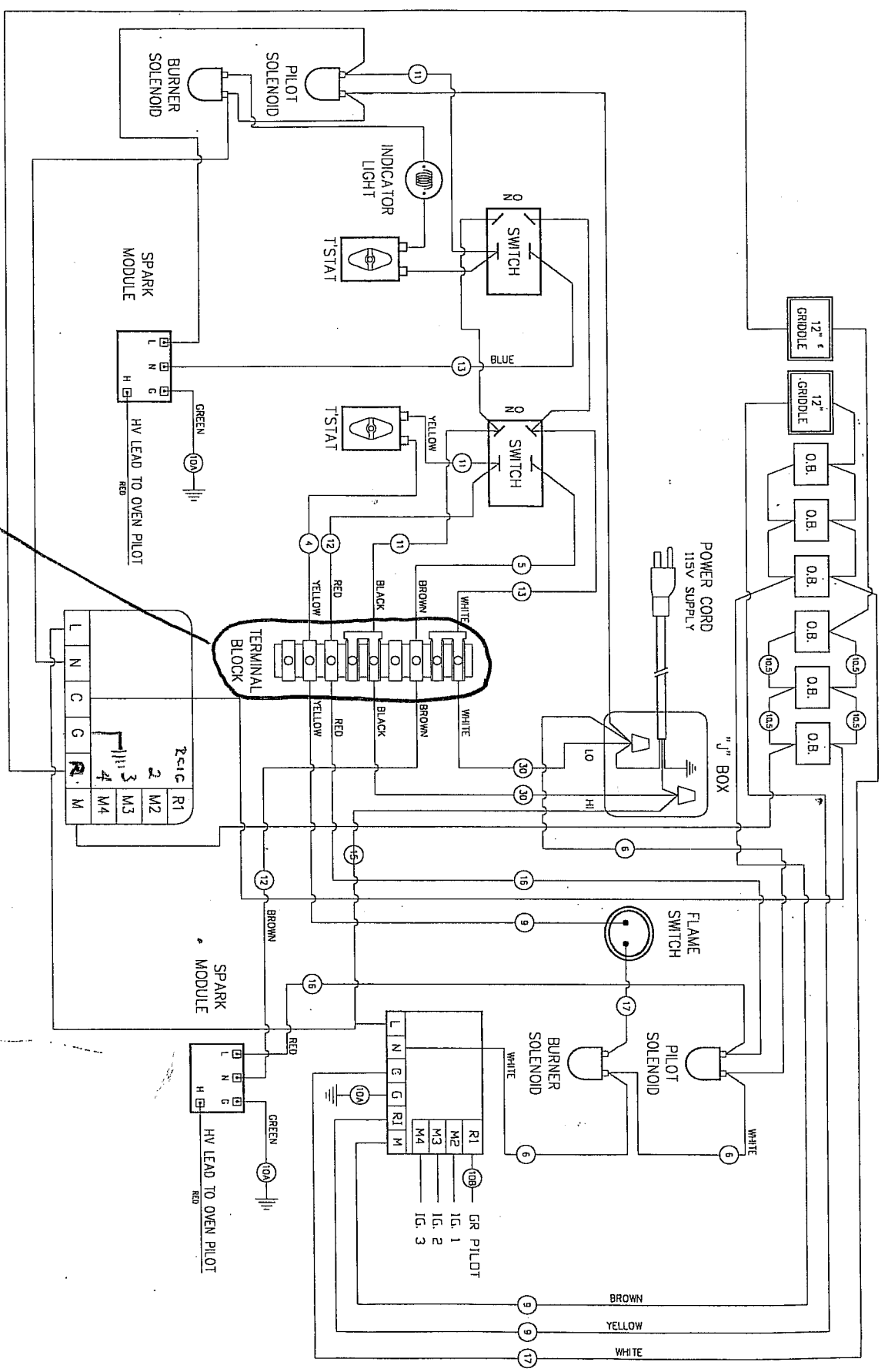
MODEL: IDR



TITLE IDR RAM 4		PART NO: -	SHEET <u>1</u> of <u>1</u>
DWG SCALE: -	DRAWN BY: MLG	DATE 2/5/09	MAT'L: -
TOLERANCES: UNLESS NOTED		CODE NAME: -	SHEAR SIZE: -
.X ± .1	.XX ± .031	ANGLE ± .5°	FRACTION ± 1/32
IMPERIAL MANUFACTURING CO.		1560 FLOWER ST DUARTE, CA. 91010	



NEW STYLE



MAY NOT BE PRESENT
ON NEWER UNITS.
9/9/02
WIRES MAY BE STRAIGHT
THROUGH

TITLE WIRING DIAGRAM - DOMESTIC		PART NO.:	
DWG SCALE: N/A	DRAWN BY: TWD	DATE: 7/31/00	MATL: N/A
TOLERANCES: UNLESS NOTED		CODE NAME: N/A	SHEAR SIZE: N/A
.X ± .1	XX ± .031	ANGLE ± .5	FRACTION ± 1/32
MANUFACTURING CO. 1560 FLOWER ST DUARTE, CA. 91010		DWG SIZE: A	SHEET 1 of 1