



## Cooking Equipment Wiring Diagrams

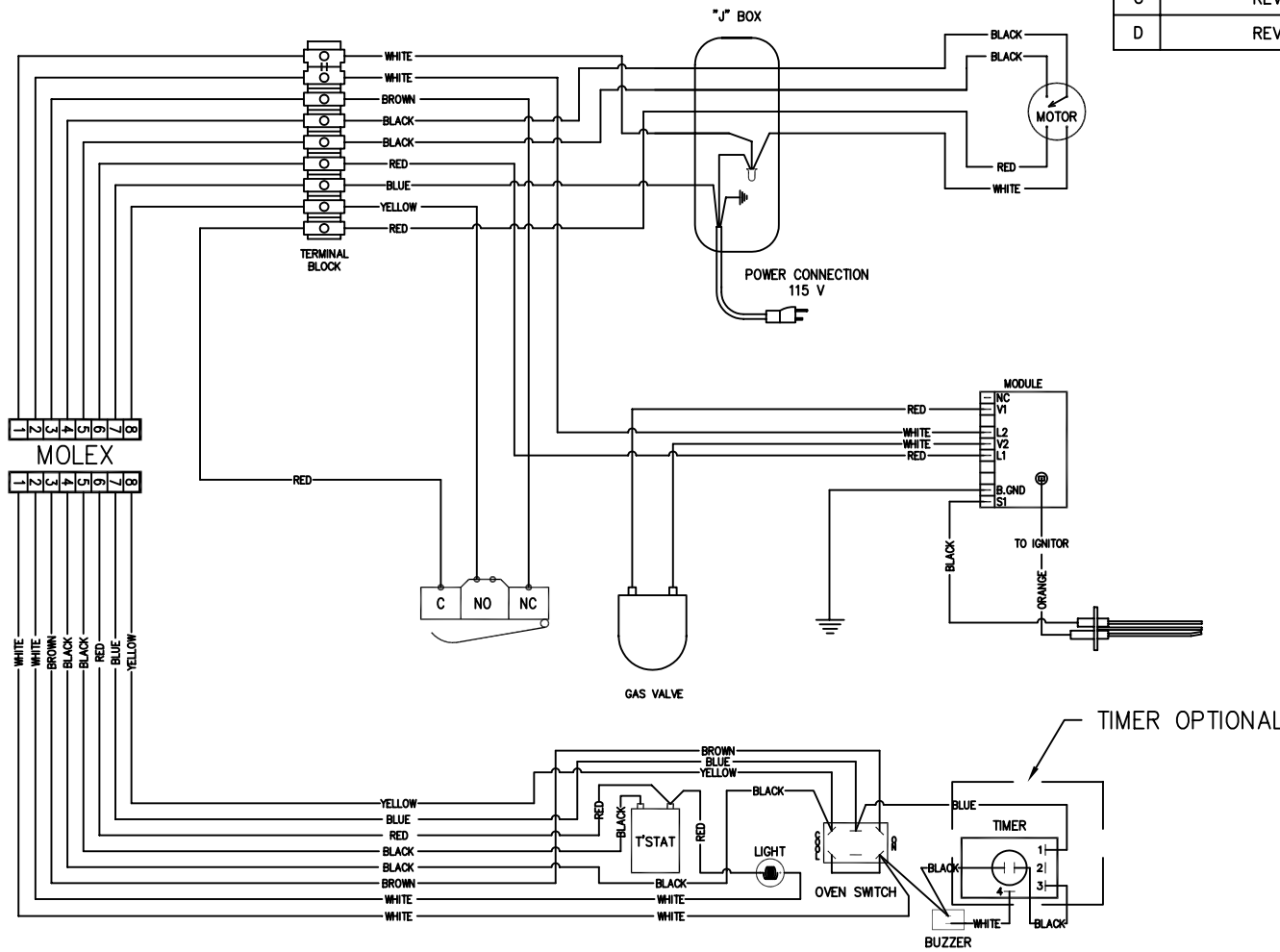
# Restaurant Range and Heavy Duty Range Convection Ovens

### Table of Contents

Wiring Diagram	Page
37245-1(-) (2).pdf .....	2
IR-C - IHR-C new style wiring 115V.pdf .....	3

IR-C AND IHR-C SERIES  
NEXT ASSY: FINAL

TITLE WIRING DIAGRAM, IR-C/IHR-C			PART NO: 35683-1①	
REV	DESCRIPTION	INITIALS	DATE	ECO NO.
A	RELEASED TO PRODUCTION	WPC	7/18/07	-
B	REVISED PER ECO	WPC	7/20/07	E00155
C	REVISED PER ECO	J.O.	08/16/07	E00169
D	REVISED PER ECO	J.O.	08/16/07	E00174



NOTE:  
1. DEBURR ALL EDGES & SHARP CORNERS.

ITEM	QTY	PART NO.	DESCRIPTION		
TITLE WIRING DIAGRAM, IR-C/IHR-C			PART NO: 35683-1①	SHEET 1 of 1	
DWG SCALE: ~		DRAWN BY: JUAN O.	DATE 08/16/07	MAT'L: -	DWG SIZE: -
TOLERANCES: UNLESS NOTED			RELEASE DATE: -	SHEAR SIZE: -	REQ -
.X	± .1				
.XX	± .031				
ANGLE	± .5°				
FRACTION	± 1/32				
			MANUFACTURING CO.		
			1128 SHERBORN ST. CORONA, CA. 92879		

# STANDARD 115 V.

## IR-CONVECTION OVEN

