



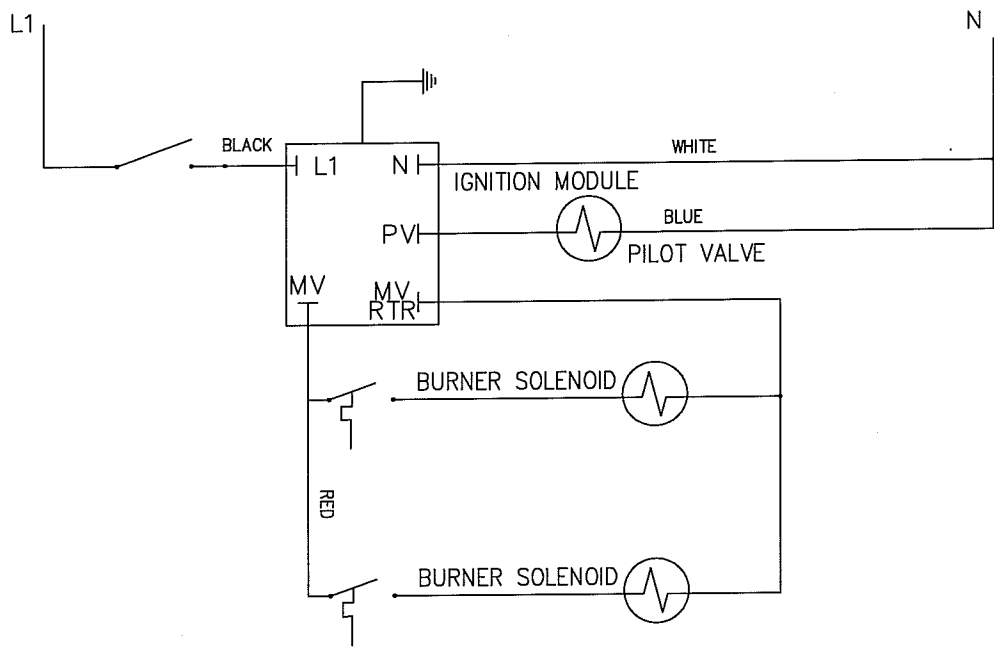
Cooking Equipment Wiring Diagrams

Griddles

Table of Contents

Wiring Diagram	Page
ISAE & ISCE Ram 4 Wiring.pdf.....	2
ISAE & ISCE Wiring.pdf	3-4
ISAE Wiring.pdf	5
ITGE.pdf	6

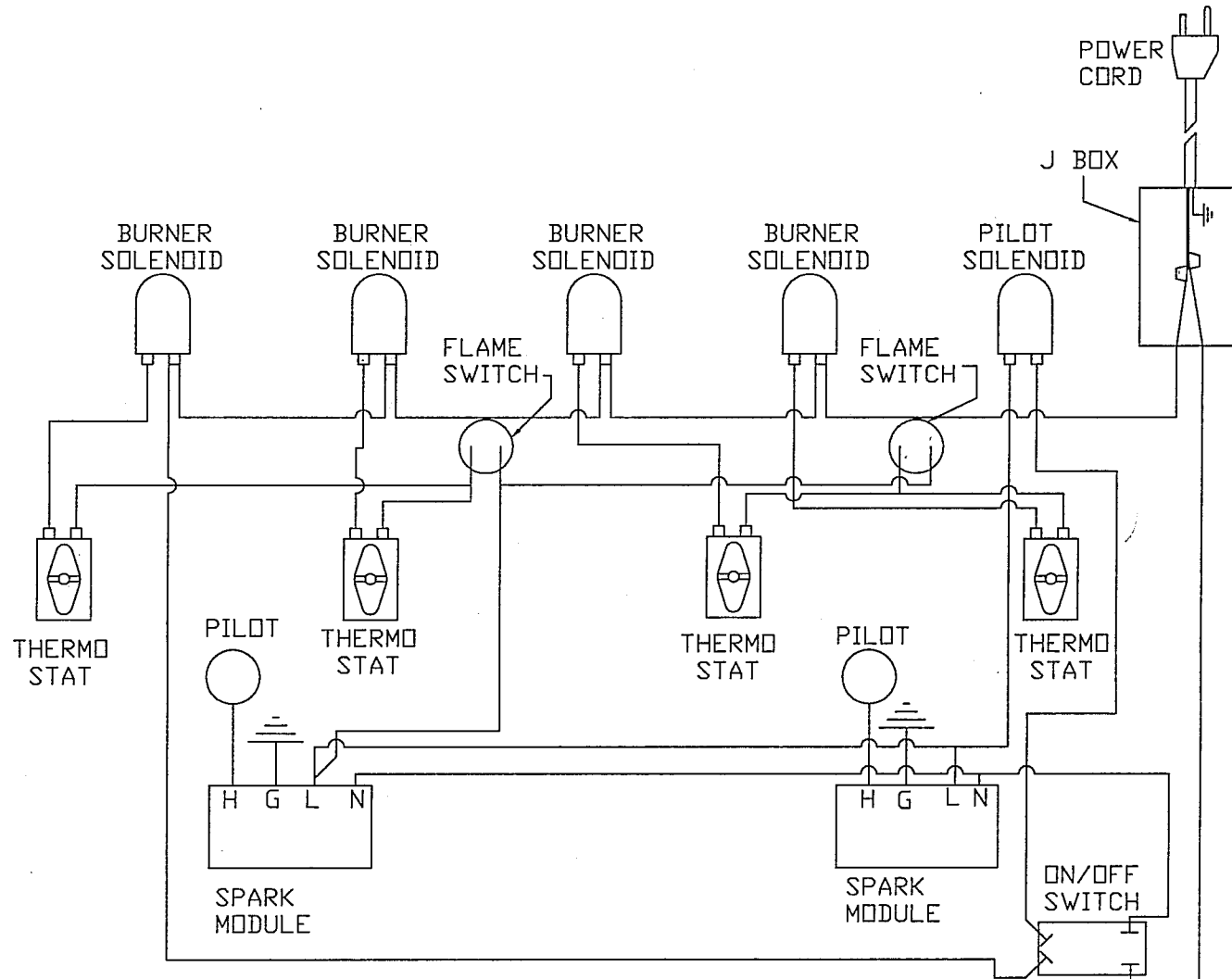
TITLE		WIRING DIAGRAM - ISAE		PART NO: -	
REV	DESCRIPTION	INITIALS	DATE	ECO NO.	
-	-	-	-	-	




NOTE:
 1 ONE IGNITION MODULE PER EVERY TWO BURNERS.
 2 ONE THERMOSTAT PER BURNER.

ITEM	QTY	PART NO.	DESCRIPTION		
TITLE			WIRING DIAGRAM - ISAE		PART NO: -
DWG SCALE: ~			DRAWN BY: MLG	DATE: 10/23/08	MAT'L: -
TOLERANCES: UNLESS NOTED			RELEASE DATE: -	SHEAR SIZE: -	REQ: -
.X	±	.1	MANUFACTURING CO. 1128 SHERBORN ST. CORONA, CA. 92879		
.XX	±	.031			
ANGLE	±	.5°			
FRACTION	±	1/32			

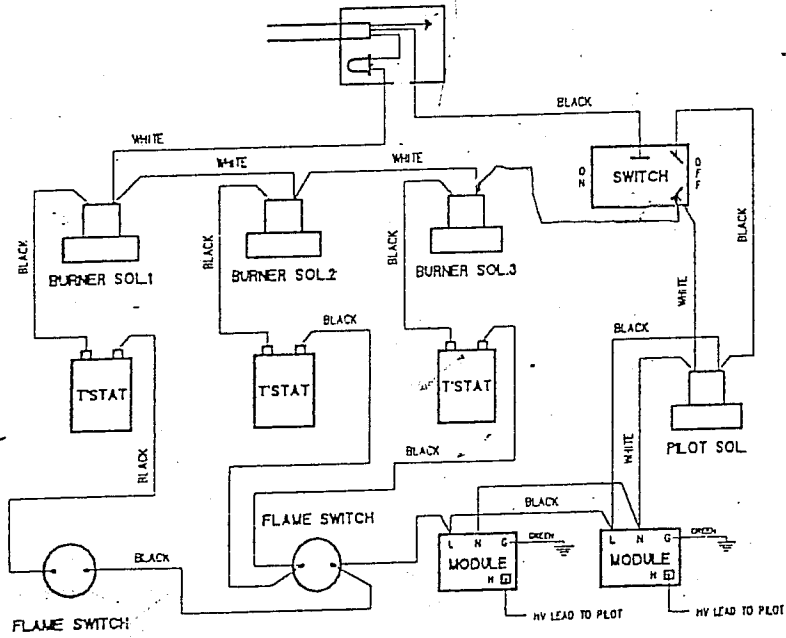
TITLE		PART NO:	
Wiring Diagram			
REV	DESCRIPTION	INITIALS	DATE
			ECO NO



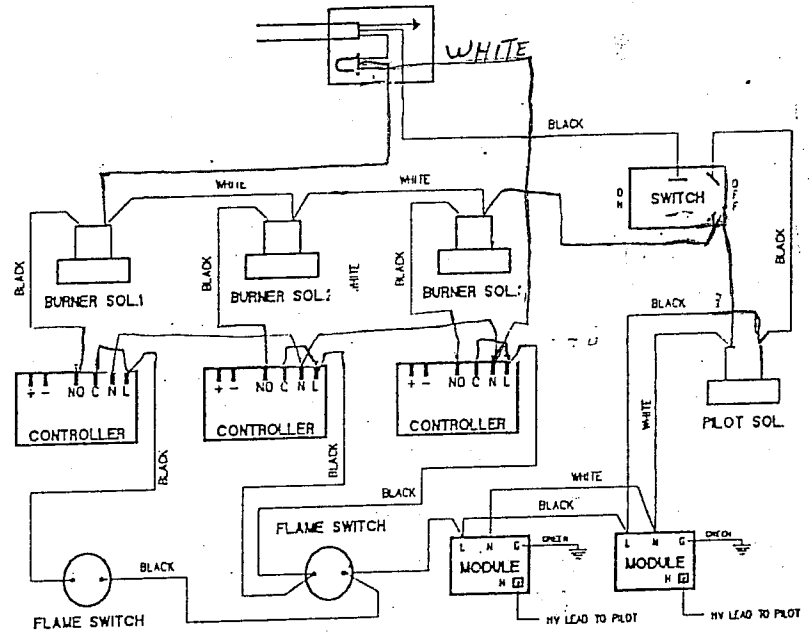
TITLE		PART NO:		SHEET	
Wiring Diagram <i>ISAE 48</i>				1 of 1	
IBM SCALE:	=	DRAWN BY:	TWD	DATE:	XXXXXX
TOLERANCES: UNLESS NOTED		CODE NAME:		SHEAR SIZE:	REQ
.X	± .1	 IMPERIAL MANUFACTURING CO. 1560 FLOWER ST DUARTE, CA. 91010			
.XX	± .031				
ANGLE	± .5°				
FRACTION	± 1/32				

MODEL: ISA-SERIES:

TITLE		PART NO:		
REV	DESCRIPTION	INITIALS	DATE	ECO NO



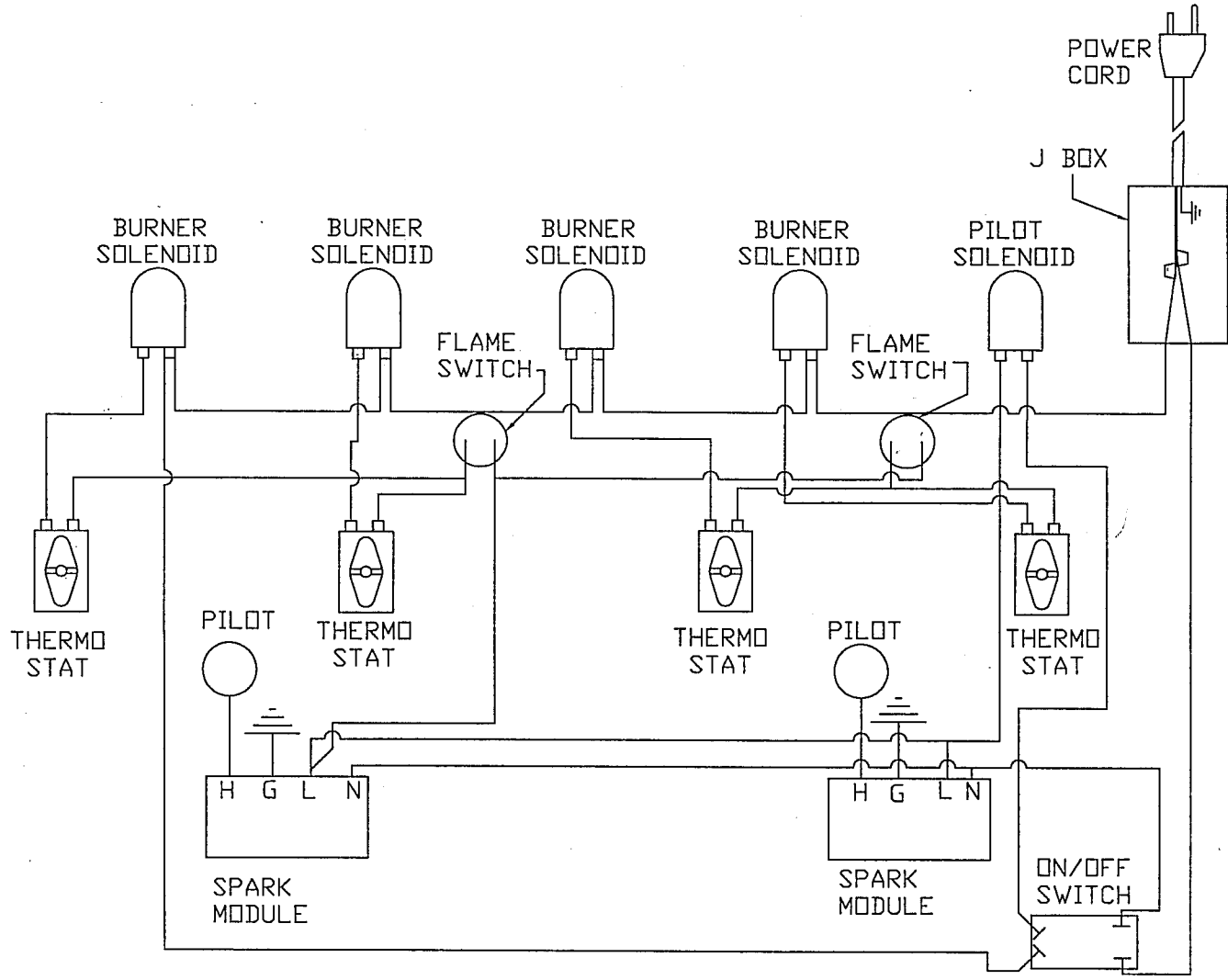
MODEL: ISAE - 36



MODEL: ISCE - 36

TITLE		PART NO:		SHEET
WIRING DIAGRAM		ISA-W36C		<u>1</u> of <u>1</u>
DWG SCALE:	DRAWN BY:	DATE	MAT'L:	DWG SIZE:
1-1	LV	4/25/98	-	-
TOLERANCES: UNLESS NOTED		CODE NAME:	SHEAR SIZE:	REQ
.X ± .1		-	-	-
.XX ± .031		 1560 FLOWER ST DUARTE, CA. 91010		
ANGLE ± .5°				
FRACTION ± 1/32				

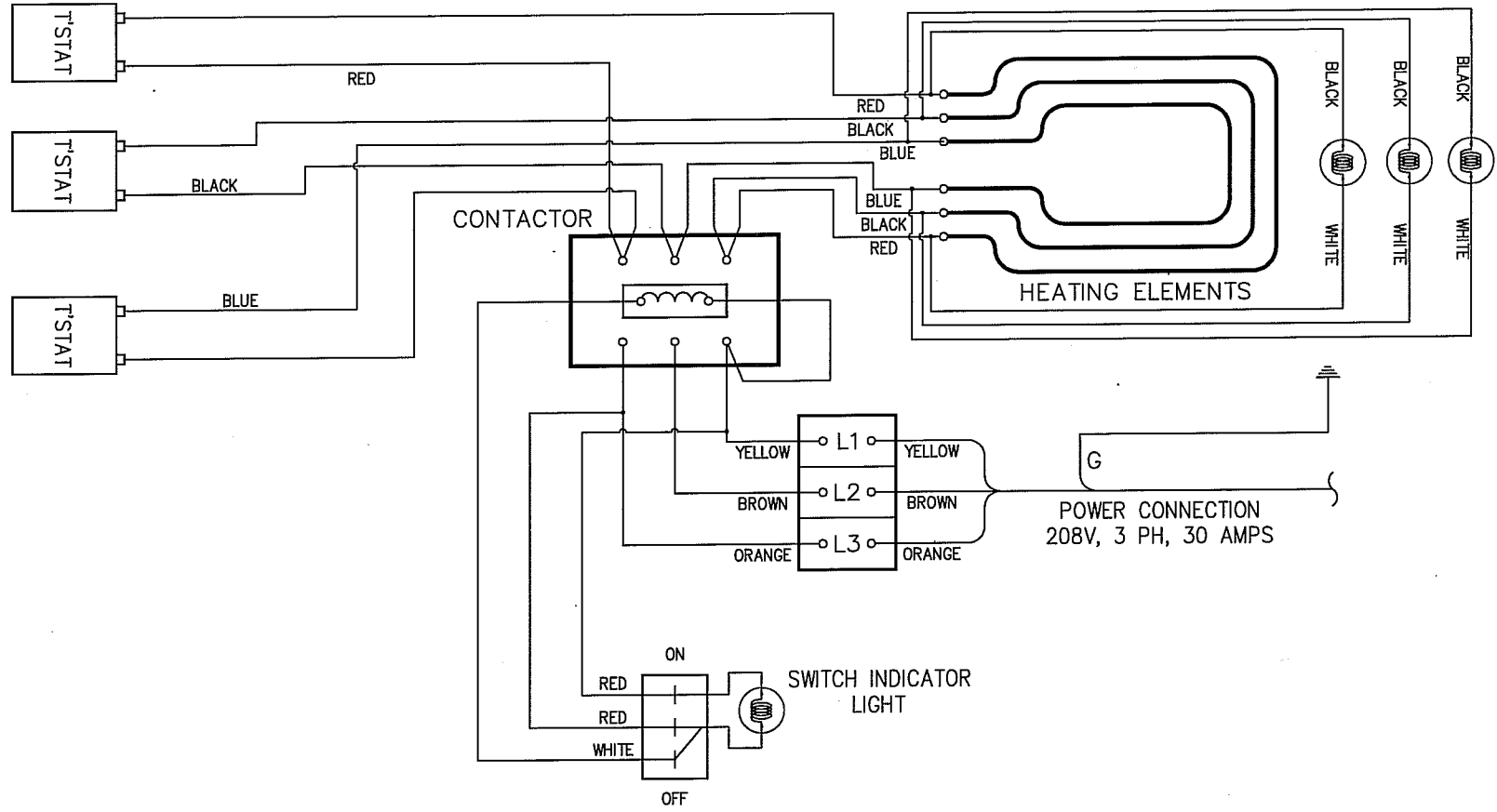
TITLE		PART NO:		
Wiring Diagram				
REV	DESCRIPTION	INITIALS	DATE	ECO N
.



TITLE		PART NO:		SHEET	
Wiring Diagram <i>ISAE 48</i>				1 of 1	
IBM SCALE:	=	DRAWN BY:	TWD	DATE	XXXXXX
TOLERANCES: UNLESS NOTED		CODE NAME:		SHEAR SIZE:	REQ
.X	± .1				
.XX	± .031				
ANGLE	± .5°				

MODEL: ITGE SERIES

TITLE		WIRING DIAGRAM - ITGE		PART NO: 36926	
REV	DESCRIPTION	INITIALS	DATE	ECO NO.	
-	-	-	-	-	



ITEM	QTY	PART NO.	DESCRIPTION		
TITLE		WIRING DIAGRAM - ITGE		PART NO:	36926
DWG SCALE:		~	DRAWN BY:	MLG	DATE: 3/07/08
TOLERANCES: UNLESS NOTED		RELEASE DATE:		-	SHEAR SIZE: -
.X	± .1	REQ		-	-
.XX	± .031	REQ		-	-
ANGLE	± .5°	REQ		-	-
FRACTION	± 1/32	REQ		-	-
1128 SHERBORN ST. CORONA, CA. 92879					