



FLAV-R-SAVOR<sup>®</sup>  
Portable Holding Cabinet

*FSHC Series*

---

*FSHC-1*

*FSHC-2*

---

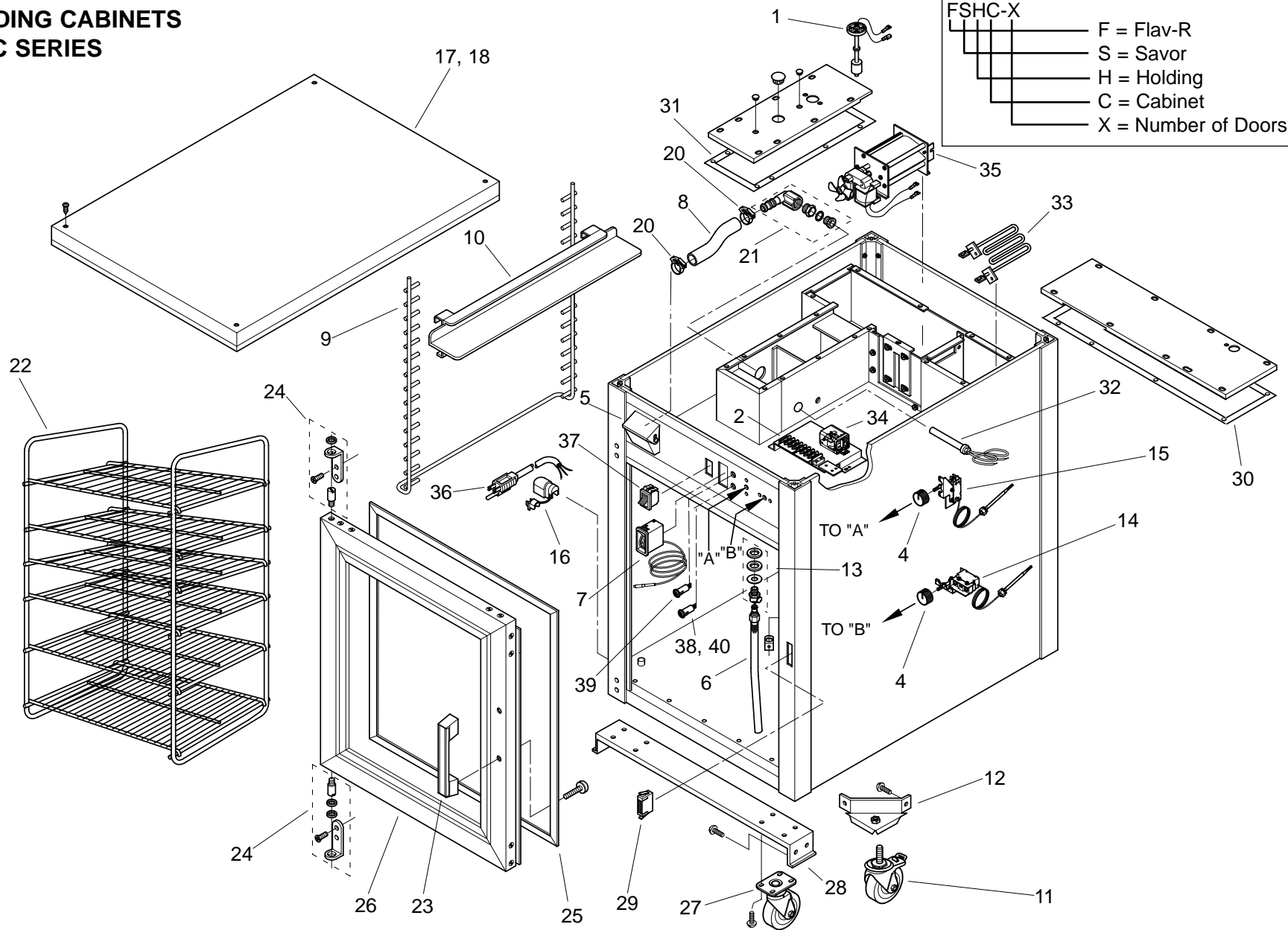
**REPLACEMENT  
PARTS LIST**

---

**HATCO FLAV-R-SAVOR®  
HOLDING CABINETS  
FSHC SERIES**

**Model Designation**

FSHC-X	F = Flav-R
	S = Savor
	H = Holding
	C = Cabinet
	X = Number of Doors



## PARTS COMMON TO ALL FSHC MODELS

ITEM	DESCRIPTION	PART NO.	QTY.	ITEM	DESCRIPTION	PART NO.	QTY.
1	Float Switch	R02.01.029.00	1	19	Legs, Plastic (optional)		
2	Terminal Block 8-Pole	02.15.012.00	1		(not shown)	05.30.007.00	4
3	Motor Bearing Lube (not shown)	05.01.019.00	1	20	Hose Clamp	05.04.354.00	2
4	Knob, Control	05.30.019.00	2	21	Connector, Hose	R03.40.052.00	1
5	Fill Cup w/Cover	R05.30.050.00	1	22	Wire Rack, 6-Shelf (optional)	R04.17.143.00	1
6	Plastic Drain Tube Assy.	R03.40.054.00	1	23	Door Handle Assy.	R05.30.012.00	1-2*
7	Temperature Drum Display	02.16.049.00	1	24	Hinge Kit Assy.	R00.01.0110.00	1-2*
8	Hose, Reservoir	03.40.051.00	1	25	Door Gasket Assy.	R00.01.0105.00	1-2*
9	Wire Support Frame	04.17.122.00	2	26	Glass Door Assy. (complete)	R00.01.0102.00	1-2*
10	Adjustable Angle Slide	04.17.144.00	14	27	Recessed Caster w/Hardware	R04.17.180.00	4
11	Caster, Swivel, 3" (standard)	04.17.130.00	4	28	Mounting Bracket for Recessed Caster	R04.17.181.00	2
12	Mounting Bracket, Caster	R04.14.221.00	4	29	Magnet, Door	05.30.005.00	1-2*
13	Ceiling Drain Assy.	R03.40.055.00	1	30	Gasket, Air Chamber	05.06.028.00	4'
14	Temperature Control	02.16.002.00	1	31	Gasket, Water Chamber	05.06.028.00	4'
15	Humidity Control	02.16.021.00	1				
16	Cord Grip	02.20.206.00	1				
17	Hood, Painted	04.17.193.00	1				
18	Hood, Stainless Steel (optional)	04.17.196.00	1				

\* FSHC-1 is a one door unit.  
FSHC-2 is a two door unit.

## PARTS SPECIFIC TO MODELS FSHC-1 & FSHC-2

ITEM	DESCRIPTION	120V 60 Hz	120V Canada	220V 60V	240V 60 Hz	220-230V CE 50/60 Hz	230-240V CE 50/60 Hz
32	Element, 600 Watt, Water Heating	R02.05.002.00	R02.05.002.00	R02.05.018.00	R02.05.003.00	R02.05.018.00	R02.05.003.00
33	Element, 1050 Watt, Air Heating†	R02.05.007.00	R02.05.007.00	R02.05.017.00	R02.05.008.00	R02.05.017.00	R02.05.008.00
34	Control Relay	02.01.028.00	02.01.028.00	02.01.043.00	02.01.043.00	02.01.043.00	02.01.043.00
35	Blower Motor‡	R02.12.003.00	R02.12.003.00	R02.12.012.00	R02.12.012.00	R02.12.012.00	R02.12.012.00
36	Power Cord w/Plug	02.18.035.00	02.18.082.00	02.18.109.00	02.18.120.00	02.18.109.00	02.18.120.00
37	Rocker Switch, On/Off	02.19.015.00	02.19.015.00	02.19.015.00	02.19.015.00	02.19.088.00	02.19.088.00
38	Indicator Light, Red	02.19.070R.00	02.19.070R.00	02.19.071R.00	02.19.071R.00	---	---
39	Indicator Light, Green	02.19.070G.00	02.19.070G.00	02.19.070G.00	02.19.070G.00	02.19.070G.00	02.19.070G.00
40	Indicator Light, Yellow	---	---	---	---	02.19.071Y.00	02.19.071Y.00
41	Hi-Limit, Air Chamber (not shown)	---	---	---	---	R02.16.031.00	R02.16.031.00
42	Solenoid Valve (for auto-fill) (optional) (not shown)	03.40.035.00	03.40.035.00	03.40.034.00	03.40.034.00	03.40.034.00	03.40.034.00
43	Terminal Block, 3-Pole (not shown)	---	---	---	---	R02.15.030.00	R02.15.030.00
	Wiring Diagram	HS1-3231	HS1-3231	HS1-2227	HS1-3229	HS1-4395	HS1-4396

† Units built before December, 1987 consult factory.

‡ 120 Volt units manufactured on or before June, 1988 use part number 02.12.003B.00.

Shaded area reflects export models only.

## HATCO AUTHORIZED PARTS DISTRIBUTORS

### ALABAMA

Jones McLeod Appl. Svc.  
Birmingham 205-251-0159

### ARIZONA

Auth. Comm. Food Equip.  
Phoenix 602-234-2443  
Byassee Equipment Co.  
Phoenix 602-252-0402

### CALIFORNIA

Industrial Electric  
Huntington Beach 714-379-7100  
Chapman Appl. Service  
San Diego 619-298-7106  
P & D Appliance  
S. San Francisco 650-635-1900

### COLORADO

All City Service  
Denver 303-454-9500  
Hawkins Commercial Appliance  
Englewood 303-781-5548

### DELAWARE

Food Equipment Service  
Wilmington 302-996-9363

### FLORIDA

Whaley Foodservice Repair  
Jacksonville 904-725-7800  
Nass Service Co., Inc.  
Orlando 407-425-2681  
B.G.S.I.  
Pompano Beach 954-971-0456  
Comm. Appliance Service  
Tampa 813-663-0313

### GEORGIA

Southeastern Rest. Svc.  
Norcross 770-446-6177

### HAWAII

Burney's Comm. Service, Inc.  
Honolulu 808-848-1466  
Food Equip Parts & Service  
Honolulu 808-847-4871

### ILLINOIS

Parts Town  
Broadview 708-865-7278  
Eichenauer Elec. Service  
Decatur 217-429-4229  
Midwest Elec. Appl. Service  
Elmhurst 630-279-8000  
Cone's Repair Service  
Moline 309-797-5323

### INDIANA

Comm. Parts & Service, Inc.  
Indianapolis 317-545-9655

### IOWA

Electric Motor Service Co.  
Davenport 319-323-1823

### KENTUCKY

Comm. Parts & Service, Inc.  
Louisville 502-367-1788

### LOUISIANA

Chandlers Parts & Service  
Baton Rouge 225-272-6620

### LOUISIANA (Continued)

Bana Comm. Parts, Inc.  
Shreveport 318-631-6550

### MARYLAND

Electric Motor Service  
Baltimore 410-467-8080  
GCS Service, Inc.  
Silver Spring 301-585-7550

### MASSACHUSETTS

Ace Service Co., Inc.  
Needham 781-449-4220

### MICHIGAN

Commercial Kitchen Service  
Bay City 517-893-4561  
Bildons Appliance Service  
Detroit 248-478-3320  
Midwest Food Equip. Service  
Grandville 616-261-2000

### MINNESOTA

GCS Service  
Minneapolis 612-546-4221

### MISSOURI

GCS Service, Inc.  
Kansas City 816-920-5999  
Commercial Kitchen Services  
St. Louis 314-890-0700  
Kaemmerlen Parts & Service  
St. Louis 314-535-2222

### NEBRASKA

Anderson Electric  
Omaha 402-341-1414

### NEVADA

Burney's Commercial  
Las Vegas 702-736-0006

### NEW JERSEY

Jay Hill Repair  
Fairfield 973-575-9145  
Service Plus  
Flanders 973-691-6300

### NEW YORK

Acme American Repairs, Inc.  
Brooklyn 718-456-6544  
Alpro Service Co.  
Brooklyn 718-386-2515  
Appliance Installation  
Buffalo 716-884-7425  
Northern Parts Dist.  
Plattsburgh 518-563-3200  
J. B. Brady, Inc.  
Syracuse 315-422-9271

### NORTH CAROLINA

Authorized Appliance  
Charlotte 704-377-4501

### OHIO

Akron/Canton Comm. Svc. Inc.  
Akron 330-753-6635  
Certified Service Center  
Cincinnati 513-772-6600  
GCS Service  
Columbus 614-476-3225  
Electrical Appl. Repair Service  
Independence 216-459-8700

### OHIO (Continued)

E. A. Wichman Co.  
Toledo 419-385-9121

### OKLAHOMA

Hagar Rest. Service, Inc.  
Oklahoma City 405-235-2184  
Krueger, Inc.  
Oklahoma City 405-528-8883

### OREGON

Bressie Electric Co.  
Portland 503-231-7171  
Ron's Service, Inc.  
Portland 503-624-0890

### PENNSYLVANIA

Authorized Factory Service  
Coraopolis 412-262-2330  
FAST Comm. Appl. Service  
Philadelphia 215-288-4800  
GCS Service, Inc.  
Pittsburgh 412-787-1970  
K & D Service Co.  
Harrisburg 717-236-9039  
Elmer Schultz Services  
Philadelphia 215-627-5401  
Electric Repair Co.  
Reading 610-376-5444

### RHODE ISLAND

Marshall Electric Co.  
Providence 401-331-1163

### SOUTH CAROLINA

Whaley Foodservice Repair  
W. Columbia 803-791-4420

### TENNESSEE

Camp Electric  
Memphis 901-527-7543

### TEXAS

City Kitchen Service Co.  
Austin 512-719-4445  
Stove Parts Supply  
Fort Worth 817-831-0381  
Armstrong Repair Service  
Houston 713-666-7100  
Commercial Kitchen Repair Co.  
San Antonio 210-735-2811  
San Antonio Rest. Equip.  
San Antonio 210-824-3271

### UTAH

Peterson's Commercial Parts & Svc.  
Salt Lake City 801-487-3653

### VIRGINIA

Daubers  
Norfolk 757-855-4097  
Daubers  
Springfield 703-866-3600

### WASHINGTON

Restaurant Appl. Service  
Seattle 206-524-8200

### WISCONSIN

A.S.C., Inc.  
Madison 608-246-3160  
A.S.C., Inc.  
Milwaukee 414-543-6460

## HATCO CORPORATION

P.O. Box 340500, Milwaukee, WI 53234-0500 U.S.A.

(800) 558-0607 (414) 671-6350

Parts & Service Fax (800) 690-2966 Int'l. Fax (414) 671-3976

Web Site: [www.hatcocorp.com](http://www.hatcocorp.com)